

# 201-2548Y1

Wire Size: 18 AWG unless otherwise specified

37 Pin to 8 Section A and 8 Section B Valves

Length:

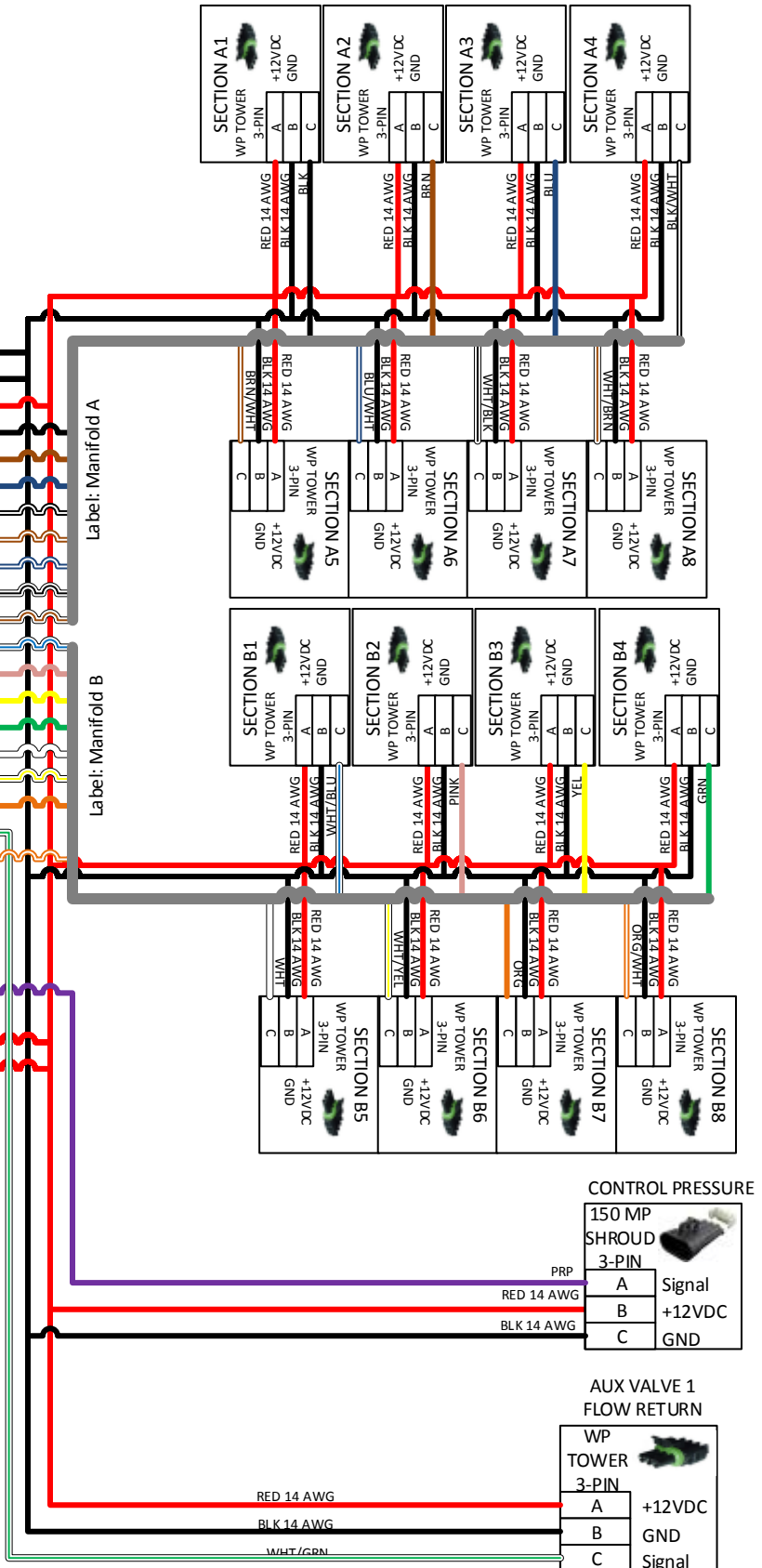
37 Pin Round – AMP Male pins in male body (with threads for swivel nut)

Valve GND	1	Blk 14 AWG
Valve GND	2	Blk 14 AWG
Valve Power	3	RED 14 AWG
Section A1	4	BLK
Section A2	5	BRN
Section A3	6	BLU
Section A4	7	BLK/WHT
Section A5	8	BRN/WHT
Section A6	9	BLU/WHT
Section A7	10	WHT/BLK
Section A8	11	WHT/BRN
Section B1	12	WHT/BLU
Section B2	13	PINK
Section B3	14	YEL
Section B4	15	GRN
Section B5	16	WHT
Section B6	17	WHT/YEL
Section B7	18	ORG
Flow Return	19	Wht/Grn
Section B8	20	ORG/WHT

Pressure 1 Signal	31	PRP
Pressure 2 Signal	35	PRP/WHT
Power	36	Red 14 AWG
Power	37	Red 14 AWG



Provide dust caps for WP and MP connectors



	Project:	201-2548Y1	Drawn By:	Albert Popp
	Filename:	37 Pin to 8 Section A and 8 Section B Valves	Date:	2/19/2011
	Copyright 2012-2013 SureFire Ag Systems		Page of Pages	1 of 1