



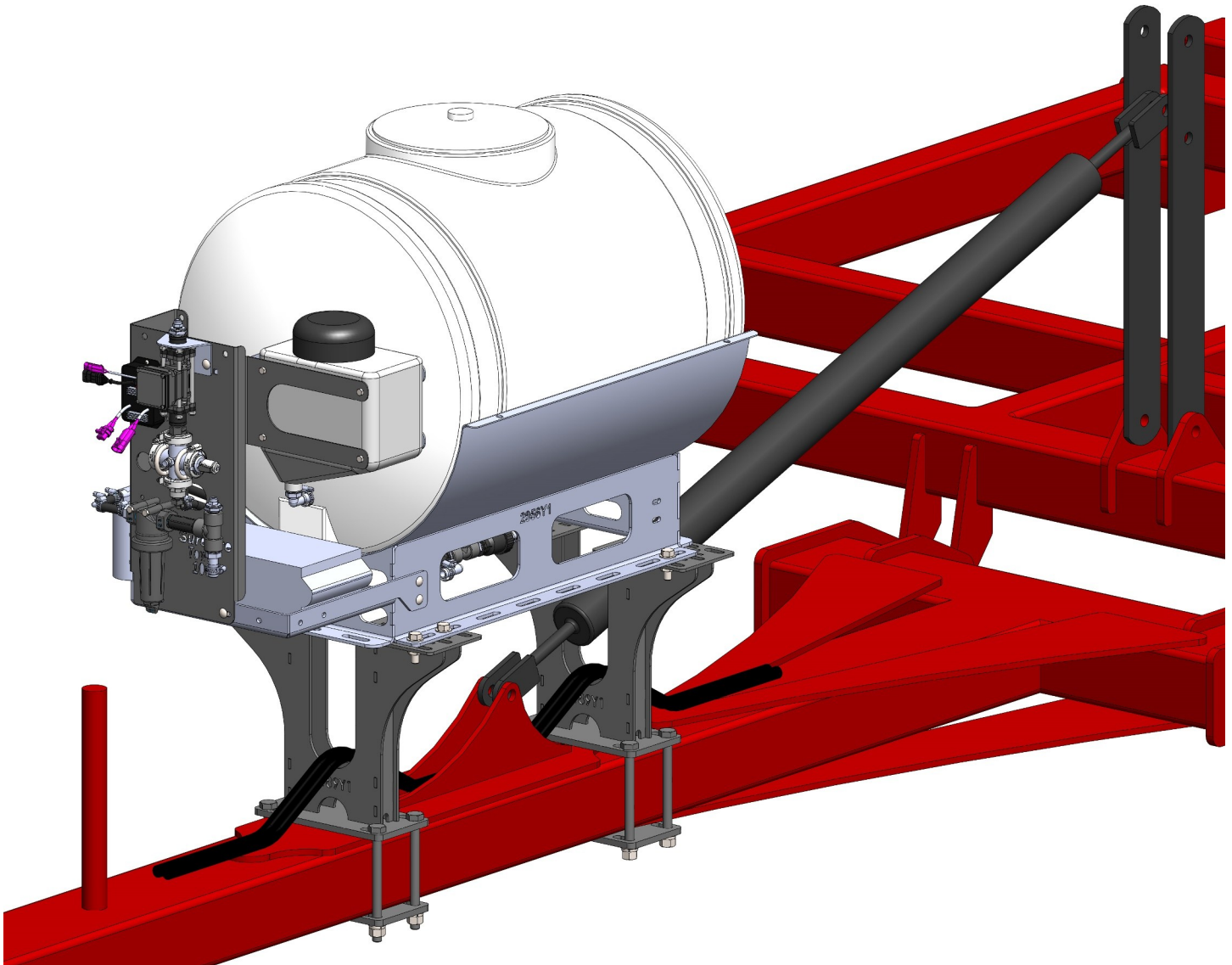
# 396-3195Y1

**Case iH Nutri-Tiller 940/950/955  
24 Row—60' Wide**

**Hitch Mounted Tank Instructions**

**CASE IH**  
AGRICULTURE

**Kit Number: 516-02-100500**





# SurePoint Ag Systems Fertilizer Tank Safety and Warnings



SurePoint Ag Systems does not recommend transporting your implement with full fertilizer tanks. Doing so can result in damage to brackets and implement.



Remember to wear proper PPE (*Personal Protective Equipment*) when installing SurePoint Ag Systems fertilizer tank kits. Proper PPE includes gloves, foot and eye protection, and hearing protection.



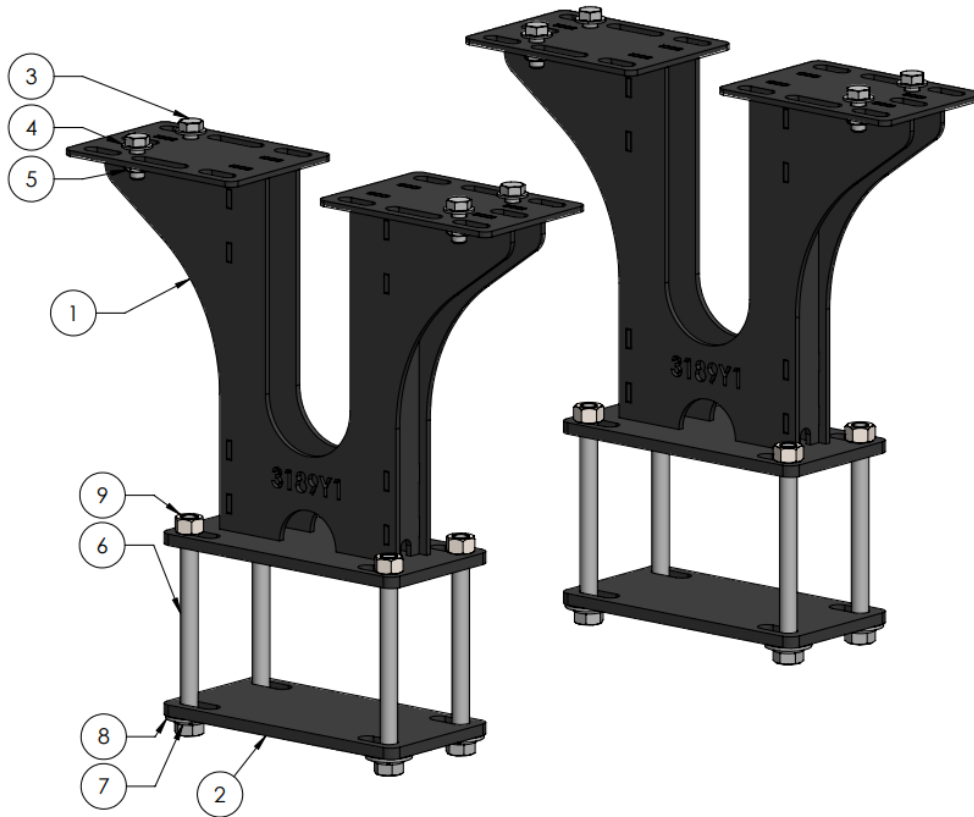
SurePoint Ag Systems fertilizer application systems require winterization when not in use. Refer to your product manual for winterization procedures.

**Failure to follow the above warnings can result in personal injury, damage to your SurePoint Ag Systems products, and damage to your implement.**



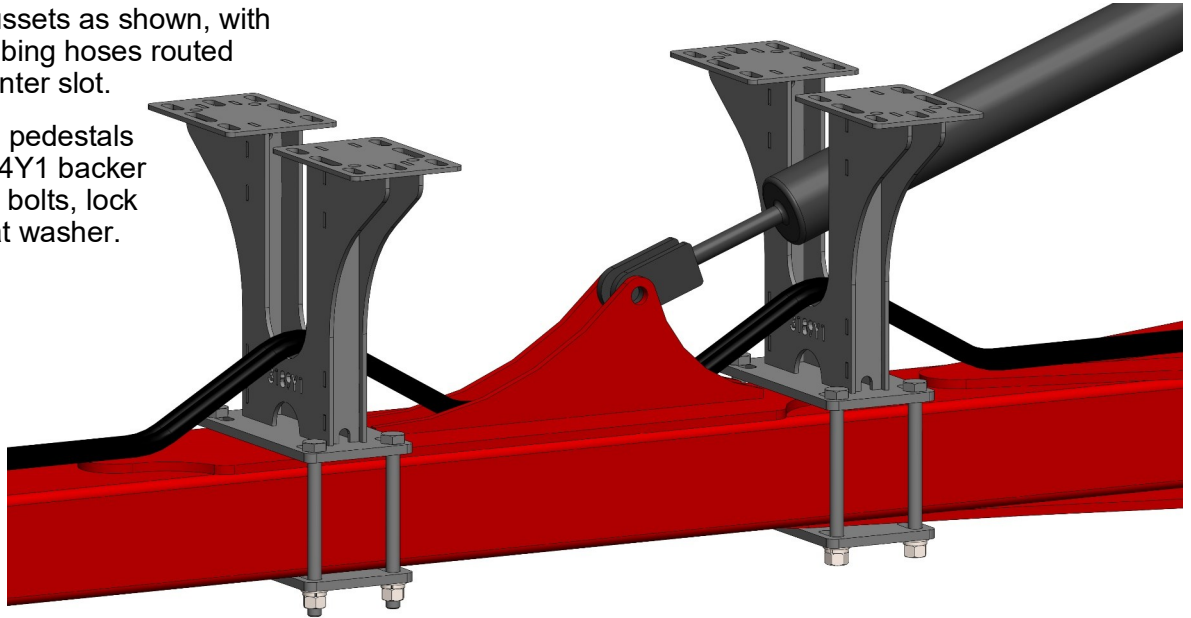
# Parts List and Exploded View

ITEM NO.	PART NUMBER	DESCRIPTION	QTY.
1	420-3189Y1-BK	Case 940/950 Front Hitch Pedestal	2
2	420-3184Y1-BK	Case 940/950 Front Hitch Pedestal - Bolt Plate	2
3	300-100108-5	5/8" x 1-1/2" Hex Head Bolt - G5	8
4	330-10	5/8" Flat Washer - G5	8
5	323-10	5/8" Flange Nut - G5	8
6	300-120900-8	3/4" x 9" Hex Head Bolt - G8	8
7	331-12-8	3/4" Lock Washer - G8	8
8	330-12-8	3/4" Flat Washer - G8	8
9	320-12-8	3/4" Nut - G8	8

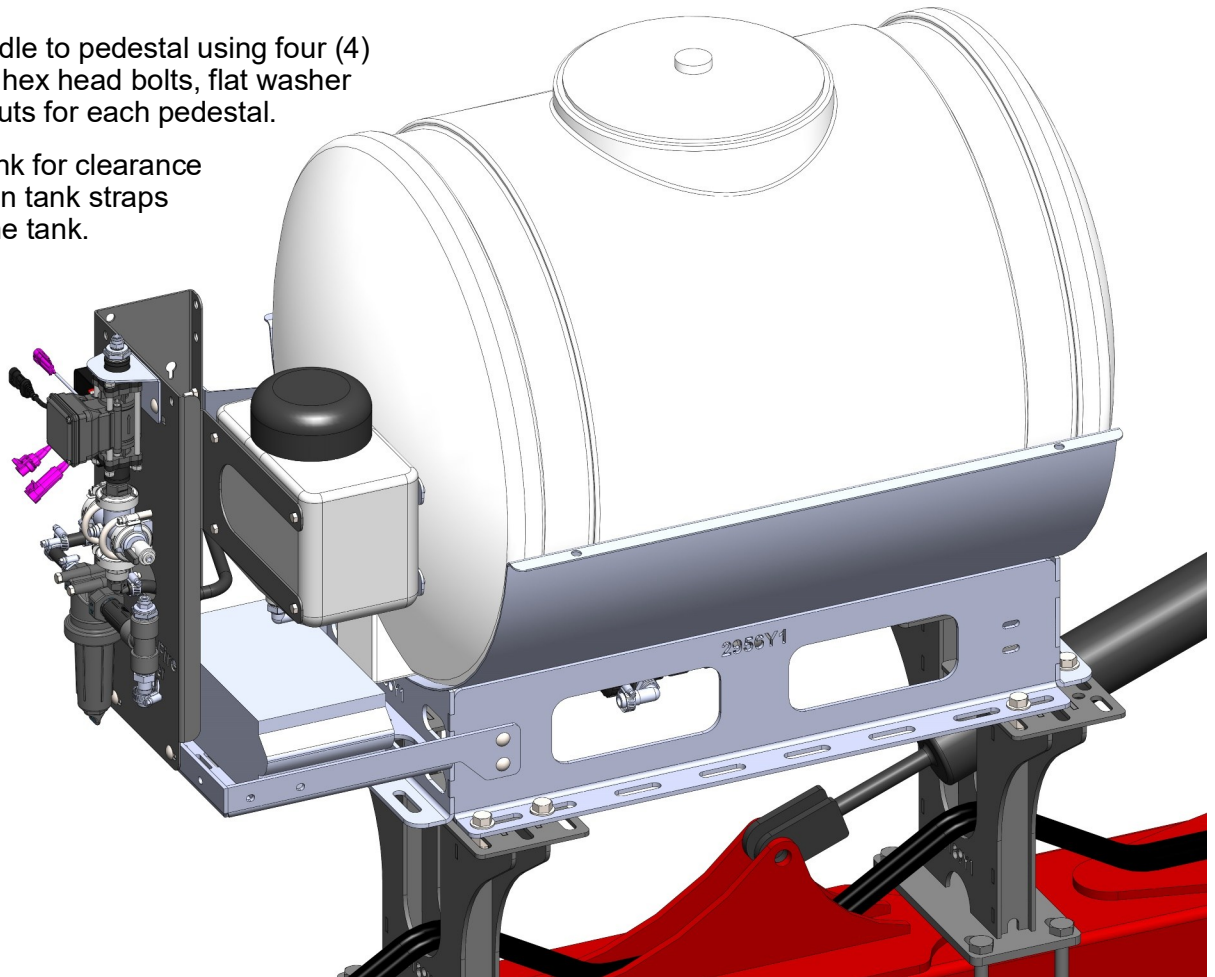


# Step by Step Instructions

1. Position pedestals on each side of leveling bar gussets as shown, with hydraulic plumbing hoses routed through the center slot.
2. Loosely attach pedestals using 400-3184Y1 backer plate, 3/4" x 9" bolts, lock washer and flat washer.



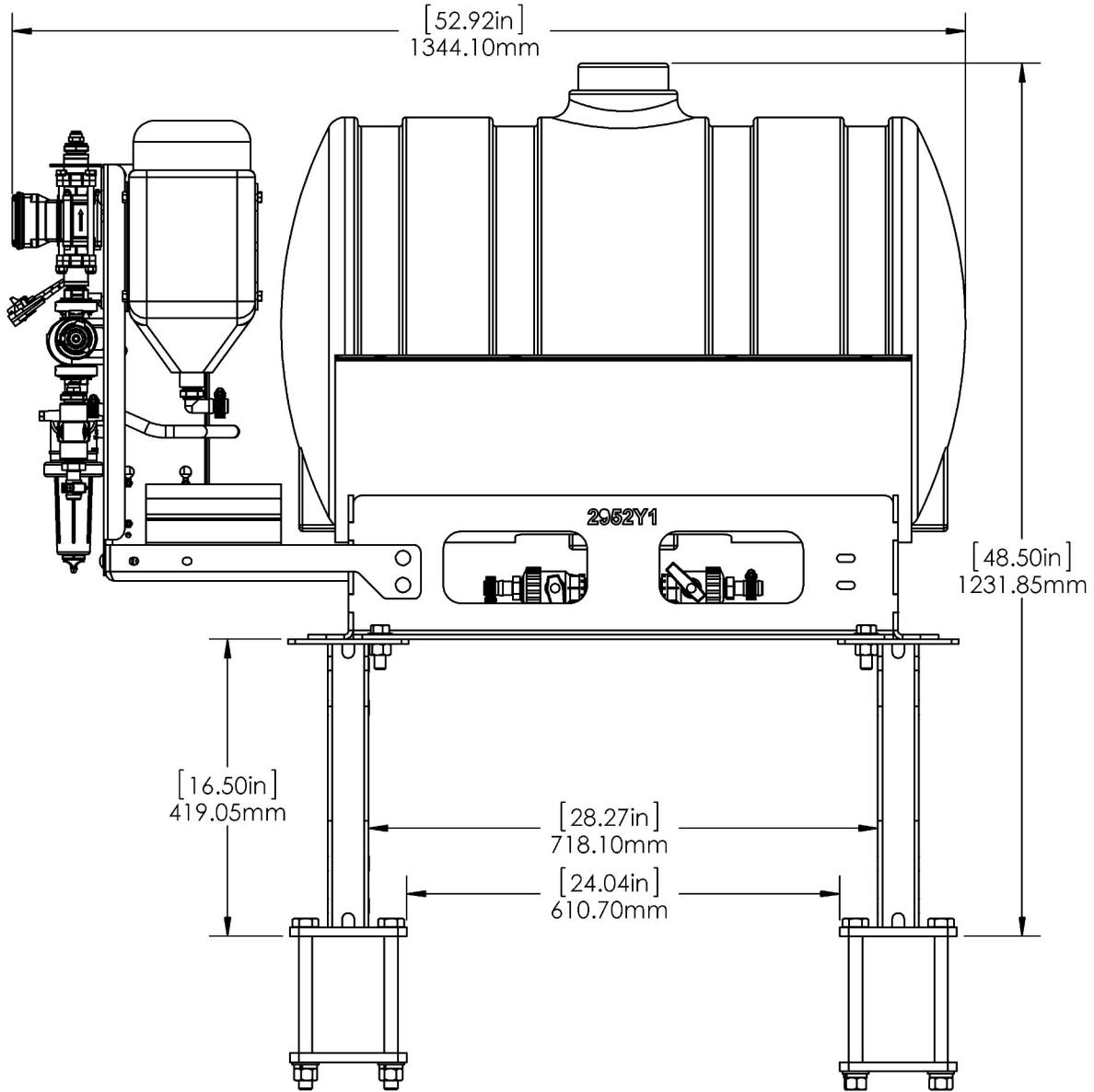
3. Bolt tank cradle to pedestal using four (4) 5/8" x 1-1/2" hex head bolts, flat washer and flange nuts for each pedestal.
4. Check for tank for clearance and re-tighten tank straps after filling the tank.





# General Dimensions SurePoint Catalyst™ 55 System

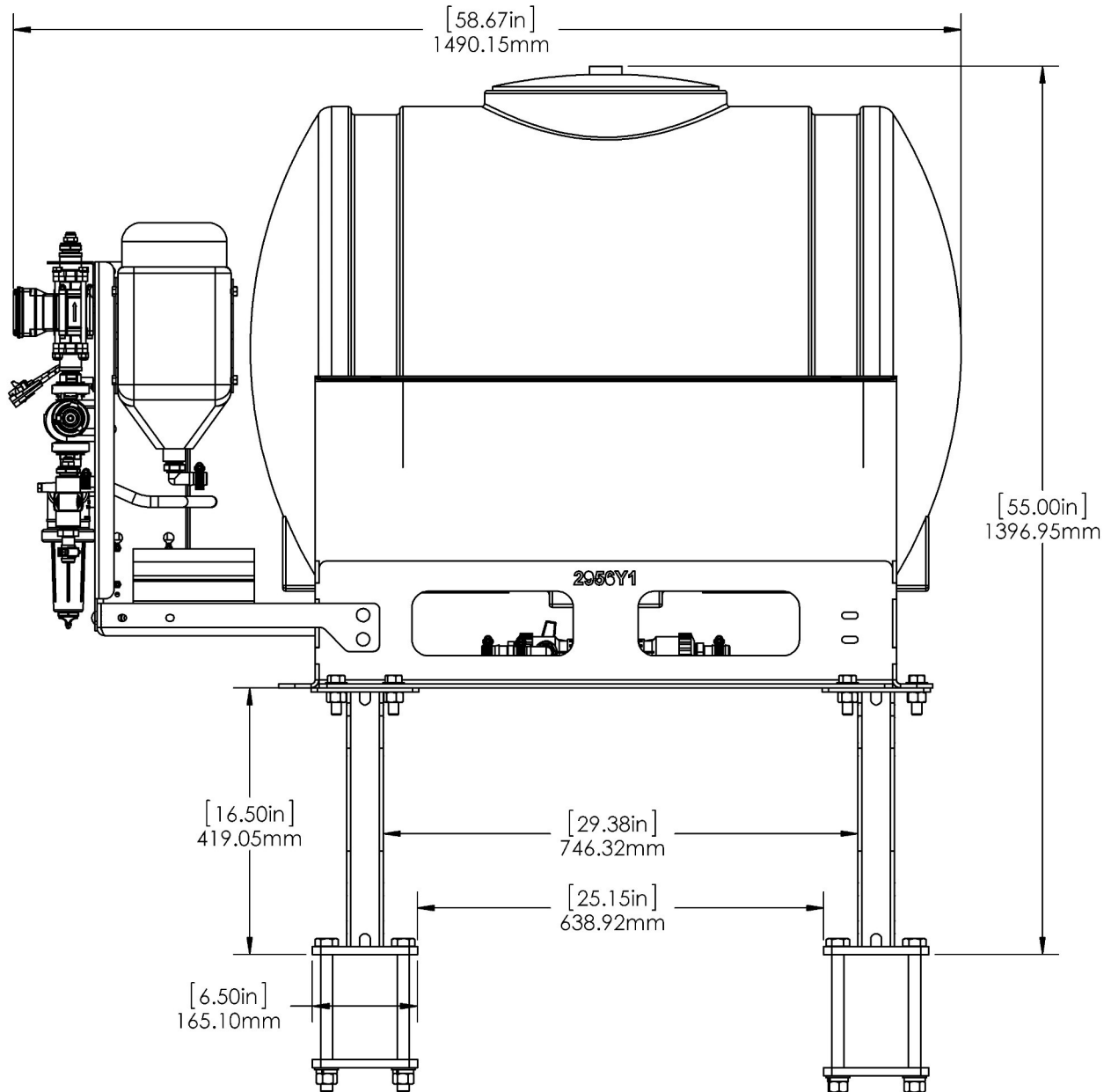
## CATALYST MICRO VOLUME APPLICATION SYSTEM





# General Dimensions SurePoint Catalyst™ 110 System

**CATALYST**  
MICRO VOLUME APPLICATION SYSTEM



**THE ACCELERATOR**  
BY SUREPOINT AG SYSTEMS

# General Dimensions SurePoint Accelerator Tanks

