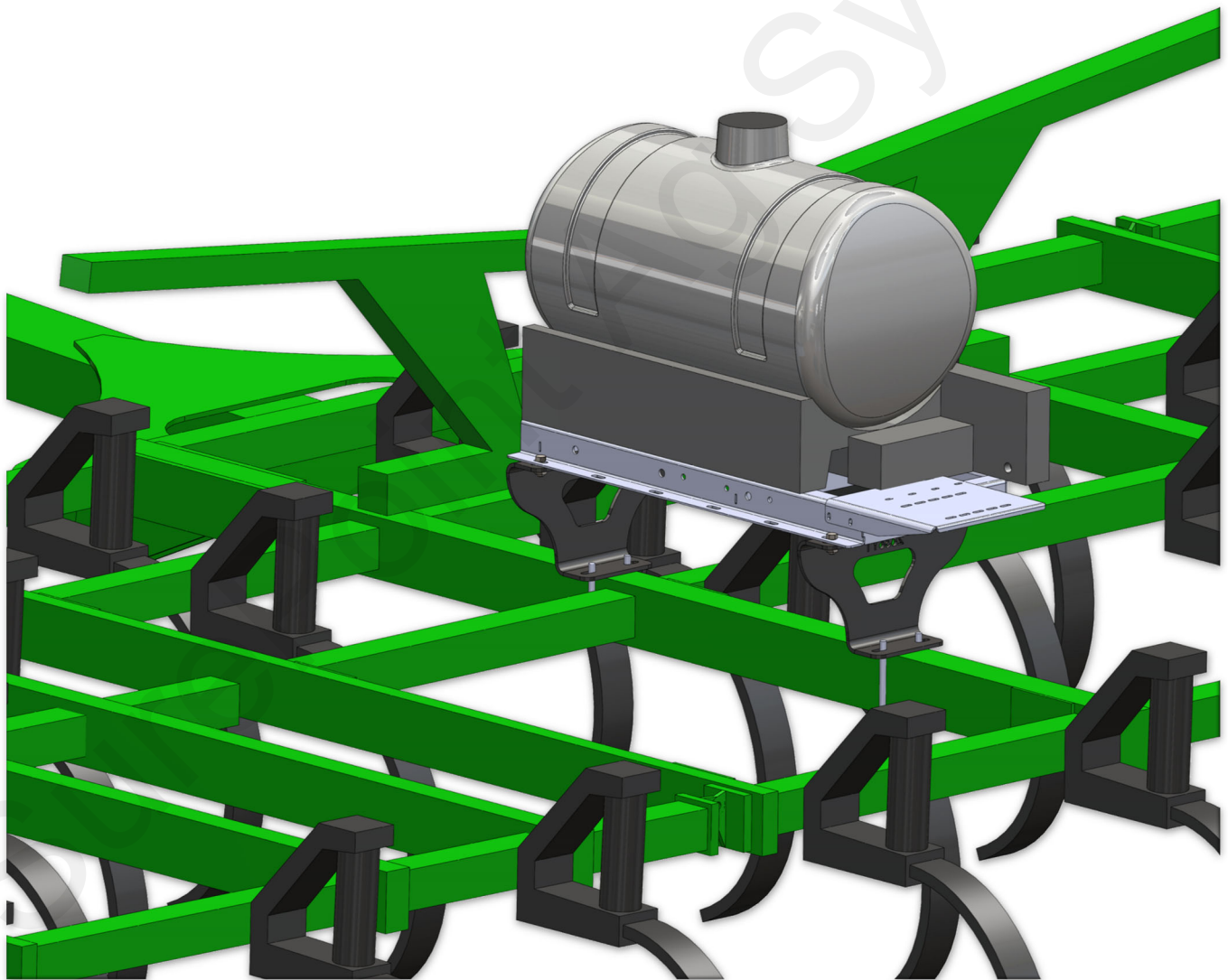




396-2896Y1

**John Deere 2410C
15' Main Frame/40'-0" or 42'-3"
12" Row Spacing
Accelerator Tank
Mounting Instructions**

Kit Number: 528-01-450170

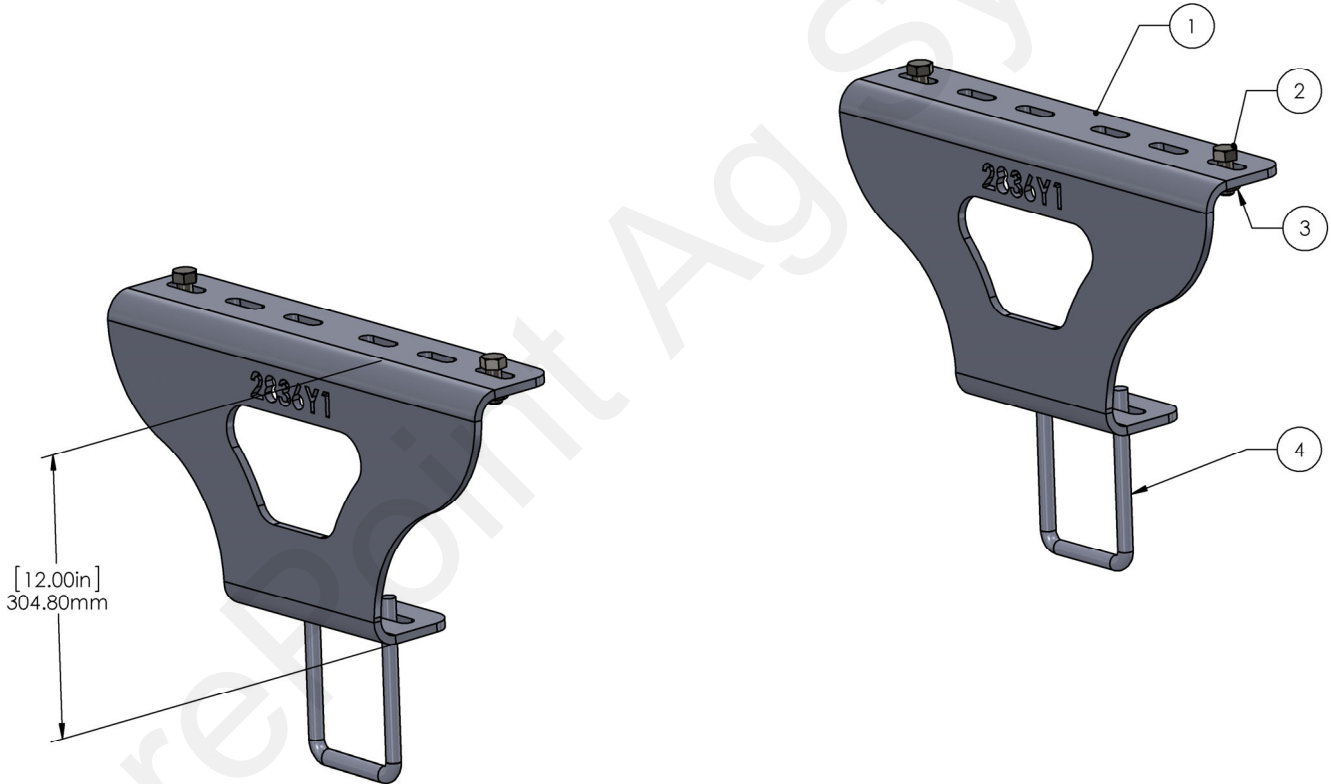




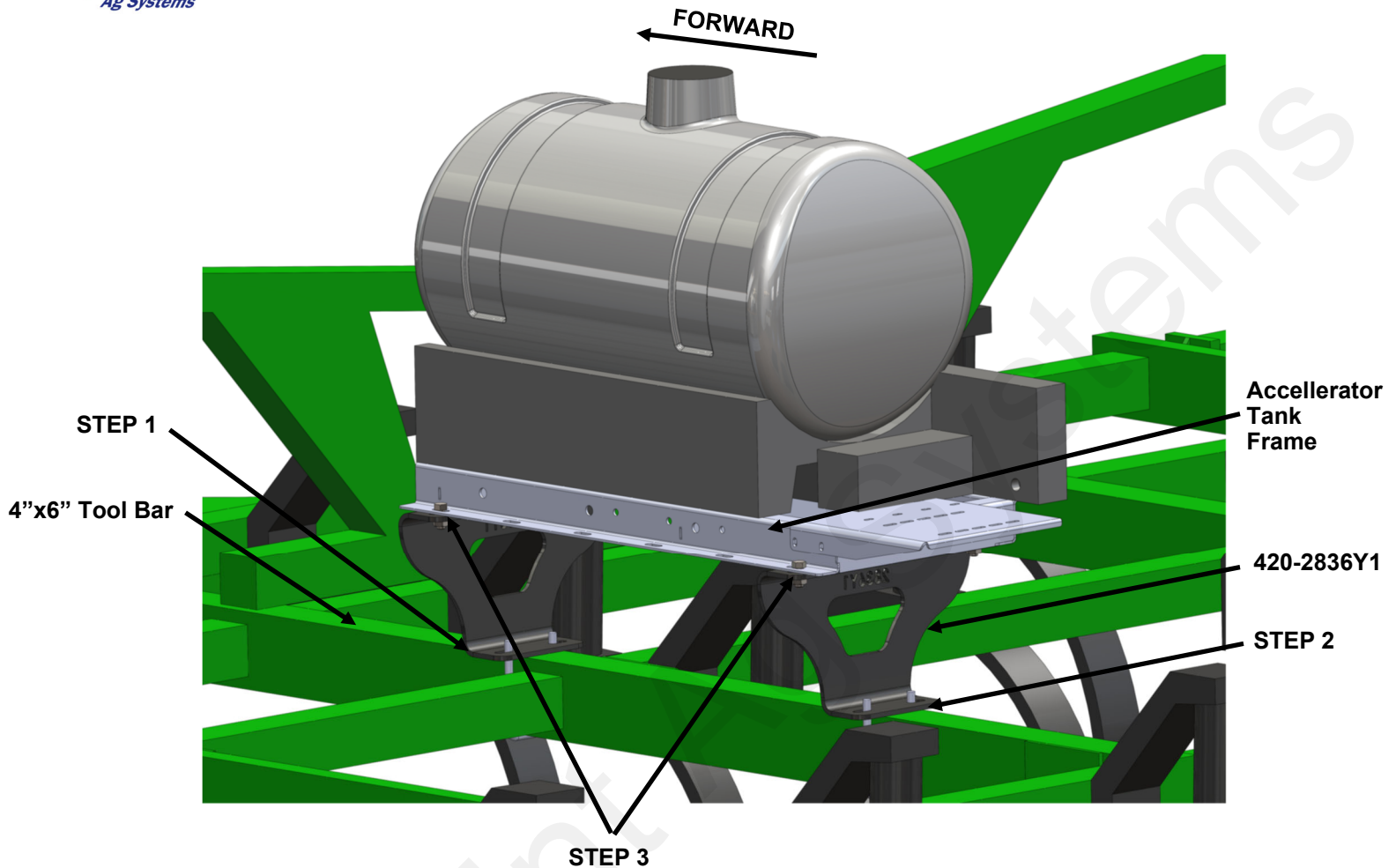
Parts List and Exploded View

Kit Number: 528-01-450170

ITEM NO.	PART NUMBER	DESCRIPTION	QTY.
1	420-2836Y1	Accelerator Tank Stand (12" Tall)	2
2	300-100108-5	5/8" x 1-1/2" Bolt G5	4
3	323-10	5/8" Flange Nut	4
4	380-1041	5/8" x 4" x 7-1/2" Square Bend U-Bolt	2



Step by Step Instructions



1. Mount the Front Tank Stand (420-2836Y1) as shown in picture above using the provided Square Bend U-bolt (380-1041). Do not tighten to allow for adjustment in Step 3.
2. Mount the Rear Tank Stand (420-2836Y1) as shown in picture above using the provided Square Bend U-bolt (380-1041). Do not tighten to allow for adjustment in Step 3.
3. Mount the Accelerator Tank Assembly to the Tank Stands as shown above. Adjust the Tank Stands as necessary to line the mounting the holes of the tank stands to the holes on the Accelerator Tank Frame holes. Fasten using the the provided 5/8" Bolts and Nuts. Fully tighten all U-bolts and Bolts once the Accelerator Tank is in its desired location.