



396-2826Y1

Great Plains NutriPro Tank Mounting Brackets

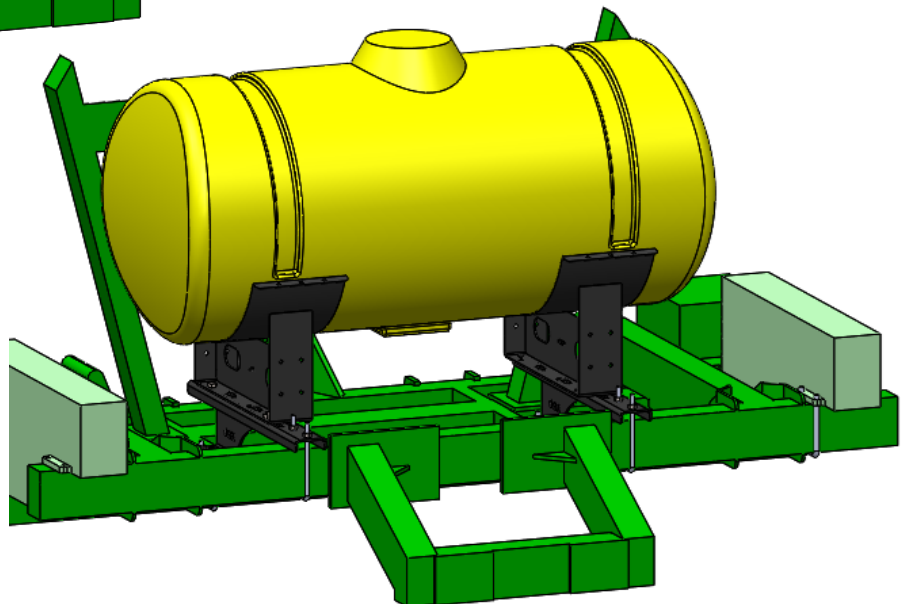
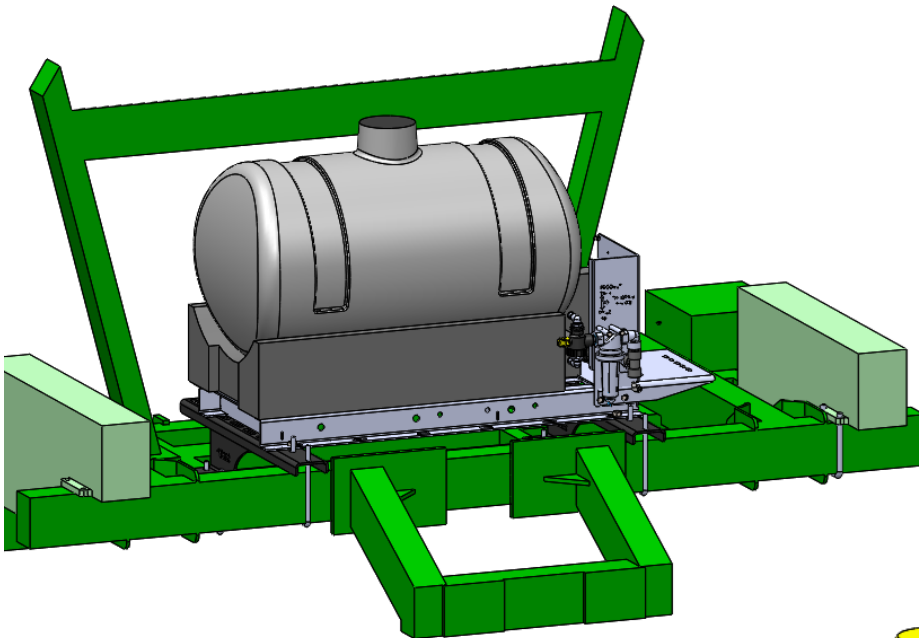
Applicator Manufacturer:



Kit Number: 528-04-150150

*Applies to all Great Plains NP30 applicators, and NP40 applicators with less than 16 rows.

**Tank brackets work with 55, 110 and 155 gallon Accelerator Tanks or 32" Diameter 150 & 200 gallon round tanks using 420-2144Y1 tank saddle.





SurePoint Ag Systems Fertilizer Tank Safety and Warnings



SurePoint Ag Systems does not recommend transporting your implement with full fertilizer tanks. Doing so can result in damage to brackets and implement.



Remember to wear proper PPE (*Personal Protective Equipment*) when installing SurePoint Ag Systems fertilizer tank kits. Proper PPE includes gloves, foot and eye protection, and hearing protection.



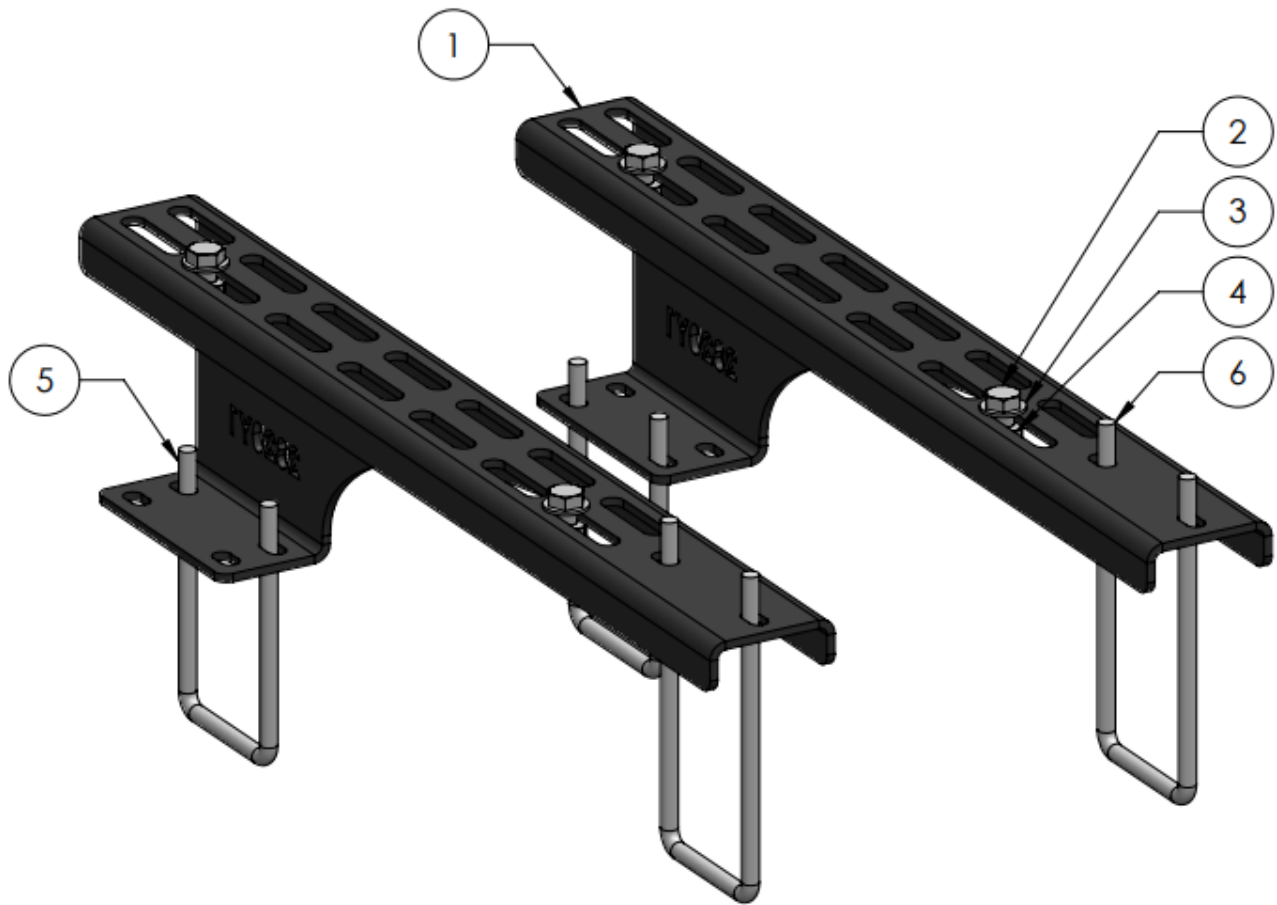
SurePoint Ag Systems fertilizer application systems require winterization when not in use. Refer to your product manual for winterization procedures.

Failure to follow the above warnings can result in personal injury, damage to your SurePoint Ag Systems products, and damage to your implement.



Parts List and Exploded View

ITEM NO.	PART NUMBER	DESCRIPTION	QTY.
1	420-2820Y1	NutriPro Tank Mounting Bracket	2
2	300-100108-5	5/8" x 1-1/2" Hex Head Bolt	2
3	330-10	5/8" Flat Washer	2
4	323-10	5/8" Flange Nut	
5	380-1015	1/2" U-Bolt Kit - fits 4" x 6" Tube (4" Opening)	4
6	380-1032	1/2" U-Bolt Kit - fits 4" x 8" Tube (4" Opening)	4

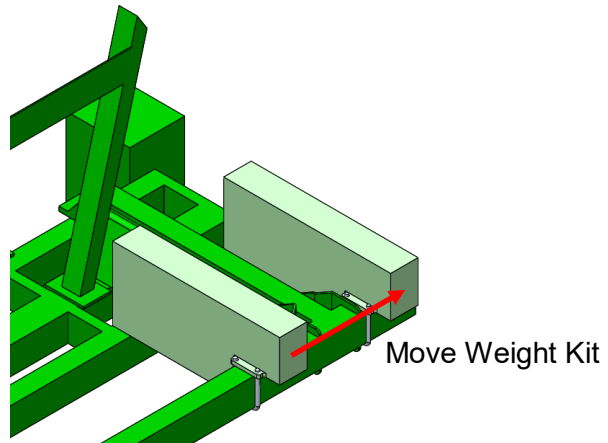




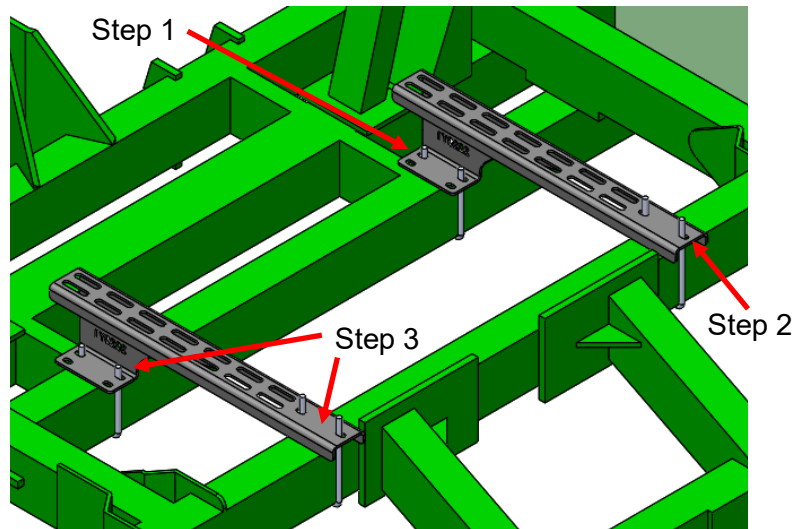
Step by Step Instructions

*Before mounting the tank brackets, it may be necessary to move weights from the location recommended by Great Plains to outside of the lift assist frame. (Only on implements with coulters that have weight kits)

- a. Detach u-bolts and hardware on weight kit.
- b. Using a forklift or tractor, move weight kit outside of lift assist frame and re-attach to implement frame.



1. Using a 1/2" x 4 x 7-1/2" u-bolt, loosely attach 420-2820Y1 to rear 4x6 implement frame, outside of the 2x6 cross member.
2. Using 1/2" x 4" x 9-1/2" u-bolt, loosely attach 420-2820Y1 to 4x6 lift assist frame, outside of the rear hitch if applicable.
3. Repeat steps 1-2 for the second 420-



3. Place tank cradle/bracket on tank support brackets. Bolt loosely using 5/8" hex head bolts and 5/8" flange nuts.
4. Inspect for interference and tighten all bolts.

