



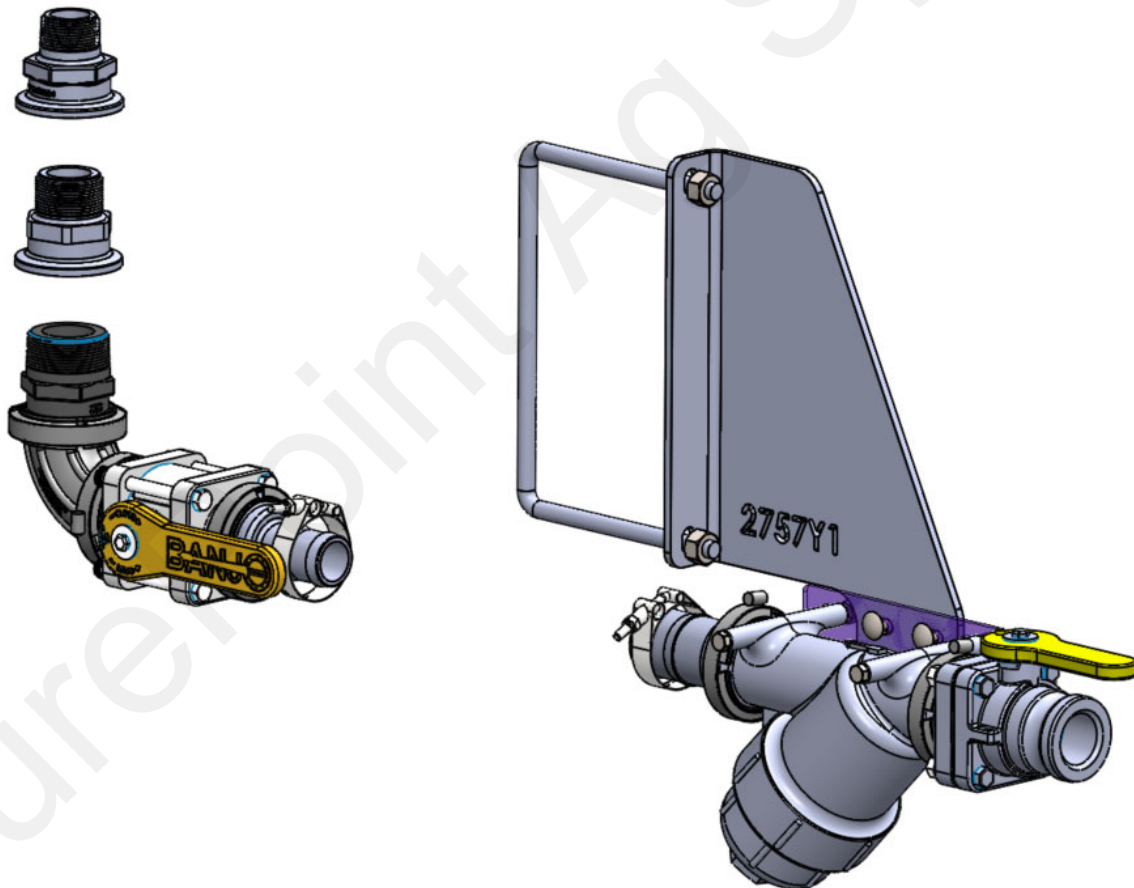
# 396-2758Y1

## Fill Kit Mounting Bracket and Plumbing Instructions for Case IH 500T Drill

Drill Manufacturer:



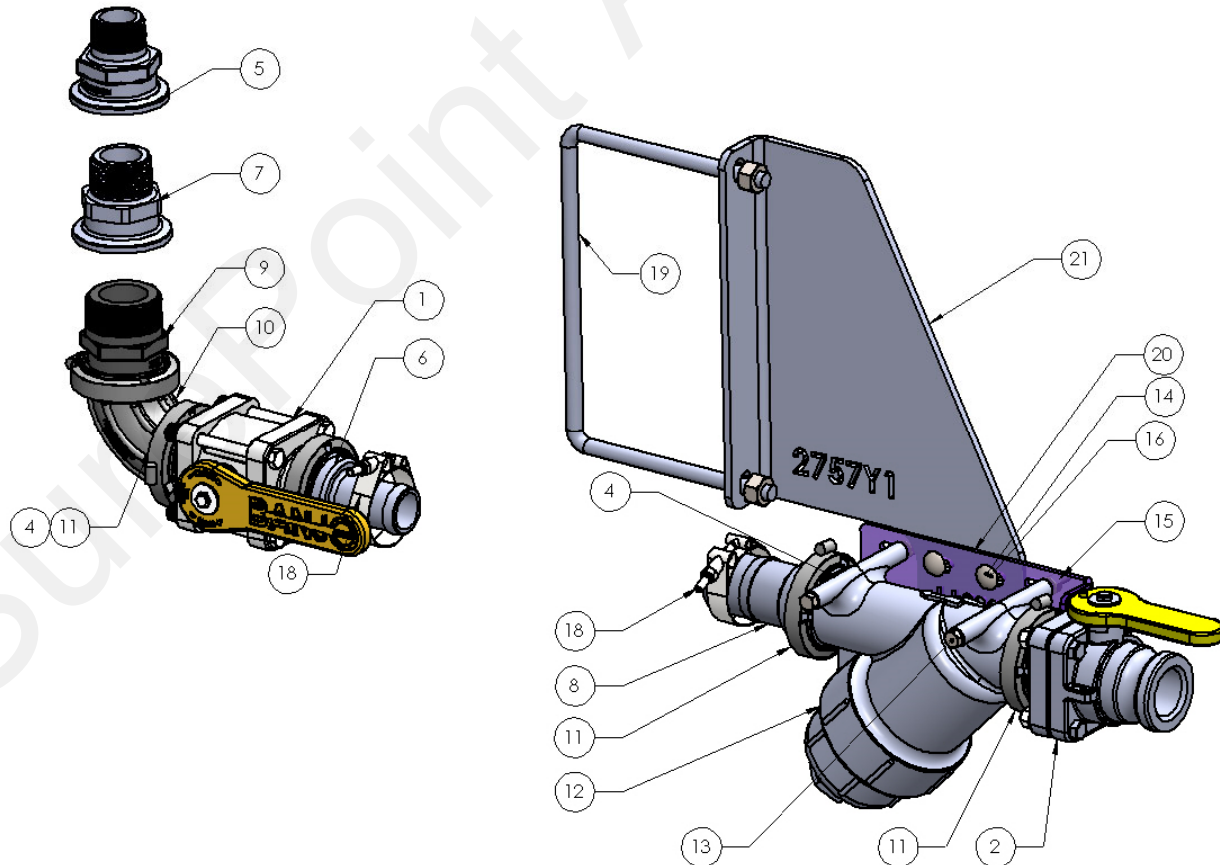
Kit Number: 555-300200





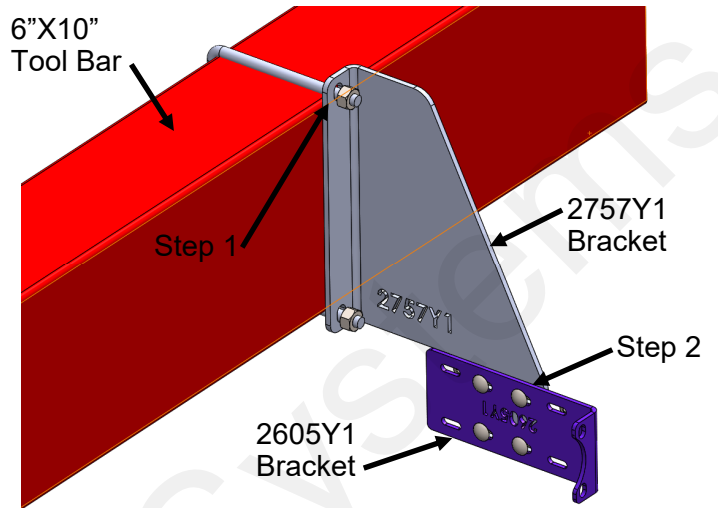
# Parts List

ITEM NO.	PART NUMBER	DESCRIPTION	QTY.
1	102-200MVCF	2" Manifold Ball Valve	1
2	102-200VSFCF	200 Series Manifold x 2" Male Quick Coupler Std Port Valve	1
3	105-150G-H	1 1/2" EPDM Gasket	3
4	105-150G	1 1/2" EPDM Gasket	2
5	105-200125MPT	2" Manifold x 1-1/4" MPT	1
6	105-200150BRB	2" Manifold X 1-1/2" Barb	1
7	105-200150MPT	2" Manifold X 1-1/2" Male	1
8	105-200BRB	2" Manifold x 2" HB	1
9	105-200MPT	2" Manifold x 2" MPT	1
10	105-200SWP90	2" Manifold Sweep - 90 Degree	1
11	105-FC200	2" Manifold Clamp	5
12	109-200MLS-50M	2" Manifold Y Strainer - 50Mesh w/ 5/16" bolt holes for mounting	1
13	300-050600-5	5/16" x 6" Hex Head Bolt-G5	2
14	304-060100-SS	Carriage Bolt - 3/8" x 1" SS	4
15	323-05	5/16" Flange Nut	2
16	323-06	3/8" Flange Nut	4
18	350-TC231	T-Bolt Hose Clamp - 2.31 - 2.62" Diameter (fits 2" Enforcer)	2
19	380-1030	1/2" U-bolt Kit - fits 10" x 6" tube ( 10" opening) includes flange nuts	1
20	400-2605Y1	Universal Fill Kit Strainer Mount	1
21	457-2757Y1	Case IH 500T - Fill Kit Mount Bracket	1
23	280-200-ENF	2" Enforcer Hose	20'



# Step by Step Instructions

1. Bolt 2757Y1 Bracket to back of 6"x10" tool bar using the provided 1/2"x10"x7 1/2" Square U-bolt with (2) 1/2" Flange Nuts.
2. Bolt 2605Y1 Bracket to 2757Y1 Bracket as shown in picture to the right using the provided (4) 3/8" x 1" Round Head Square Neck Bolts with (4) 3/8" Flange Nuts.



3. Bolt provided 2" Strainer to 2605Y1 Bracket as shown in picture below using (2) 5/16" x 6" Bolts and (2) 5/16" Flange Nuts. Finish Fill Kit Plumbing according to Parts List Detail on Page 2.
4. Thread the correct size Manifold x MPT fitting in the tank bung and assemble tank fill valve parts as shown .
5. Route 2" hose from strainer assembly to tank valve assembly and secure hose, check for clearances when folding, etc.

