

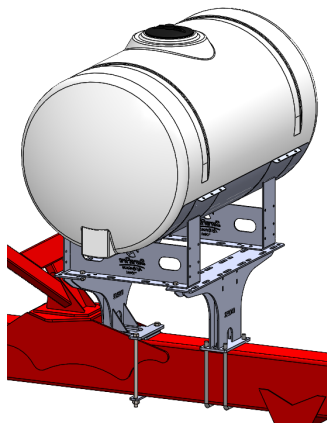


# 396-2652Y1

## Case IH 1250

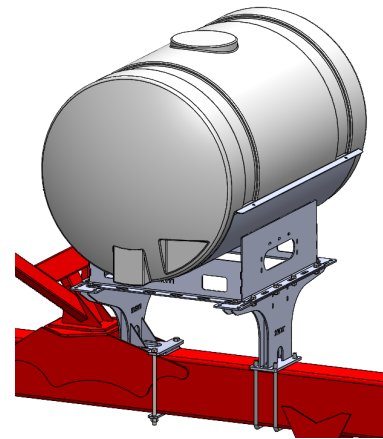
### Tank Mounting Instructions

Planter Manufacturer:



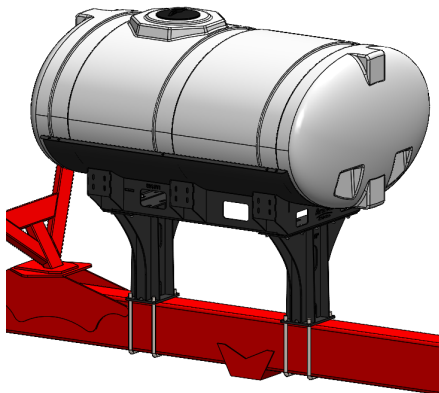
**Kit Number: 530-02-250500**

**Description: Case IH 1250/1255 - 300  
Gallon Round Hitch Mount Tank Kit  
(12R/16R Bulk Fill)**



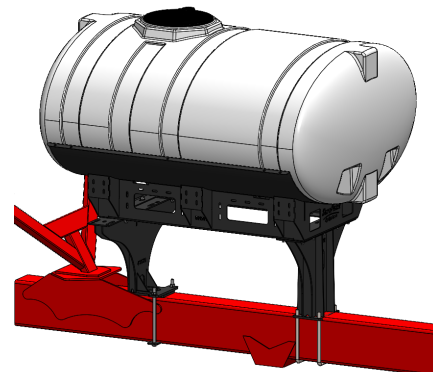
**Kit Number: 530-02-250650**

**Description: Case IH 1250/1255 - 400  
Gallon Round Hitch Mount Tank Kit  
(16R30 Bulk Fill)**



**Kit Number: 530-02-255600**

**Description: Case IH 1250/1255 - 500  
Gallon Elliptical Hitch Mount Tank Kit  
(12R/16R/24R) *Used with no markers.***



**Kit Number: 530-02-255700**

**Description: Case IH 1250/1255 - 600  
Gallon Elliptical Hitch Mount Tank Kit  
(16R/24R) *Used with no markers.***

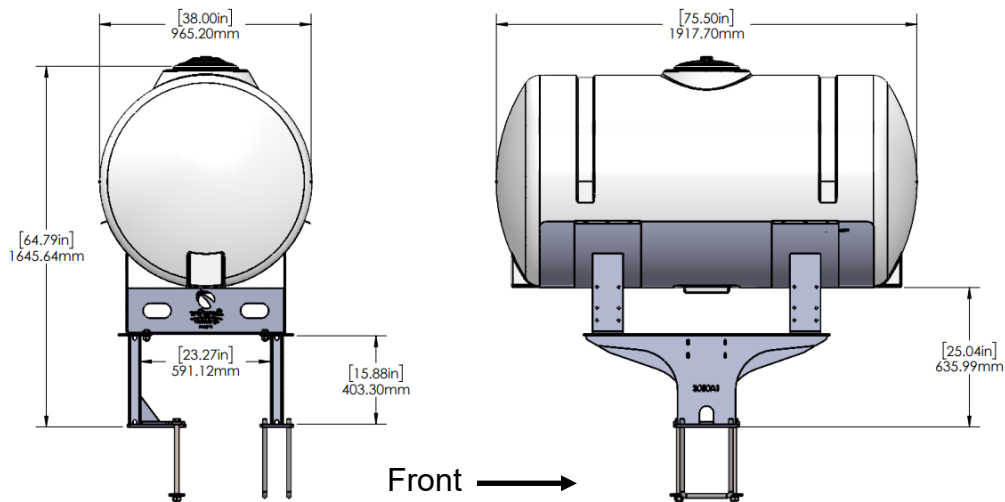
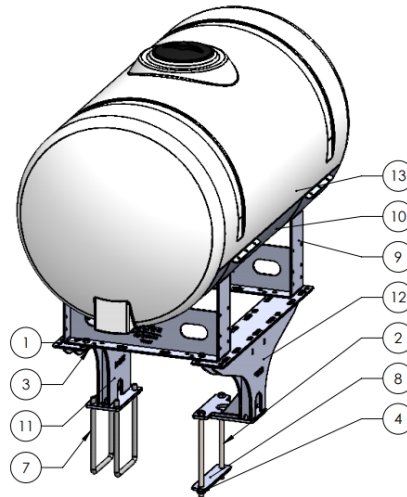


# Parts List and Installation Dimensions

## 530-02-250500

### Case IH 1250 Hitch Mount Tank - 300 Gal

ITEM NO.	PART NUMBER	DESCRIPTION	QTY.
1	300-100108-5	5/8" x 1-1/2" HCS G5	4
2	300-121500-5	3/4" x 15" HCS G5	2
3	323-10	5/8" Flange Nut	4
4	323-12	3/4" Flange Nut	2
5	330-10	5/8" Flat Washer	4
6	323-12	3/4" Flat Washer	2
7	380-1066	3/4" U-bolt Kit - fits 8" x 12" tube - (8" opening) - includes flat & lock washers and nuts.	2
8	400-5164Y1	3/8" Backer Plate for Rear Pedestal	1
9	420-1104A1	38" Tank Saddle	2
10	420-1106A1	38" 300 Gallon Full Support Sheet	1
11	421-2020A1	Planter Hitch Mount for Tank Cradle (400 or 500 Gallon)	1
12	421-5159Y1	Rear Planter Hitch Mount for Tank Cradle (400 or 500 Gallon)	1
13	727-02-HZ0300-38-W	Horizontal Tank - 300 Gal - White - 38" x 76"	1
14	525-2055	2" Strap Kit for Tanks 300 Gal & Under	2
15	396-2652Y1	Case IH 1250 Tank Mounting Instructions	1



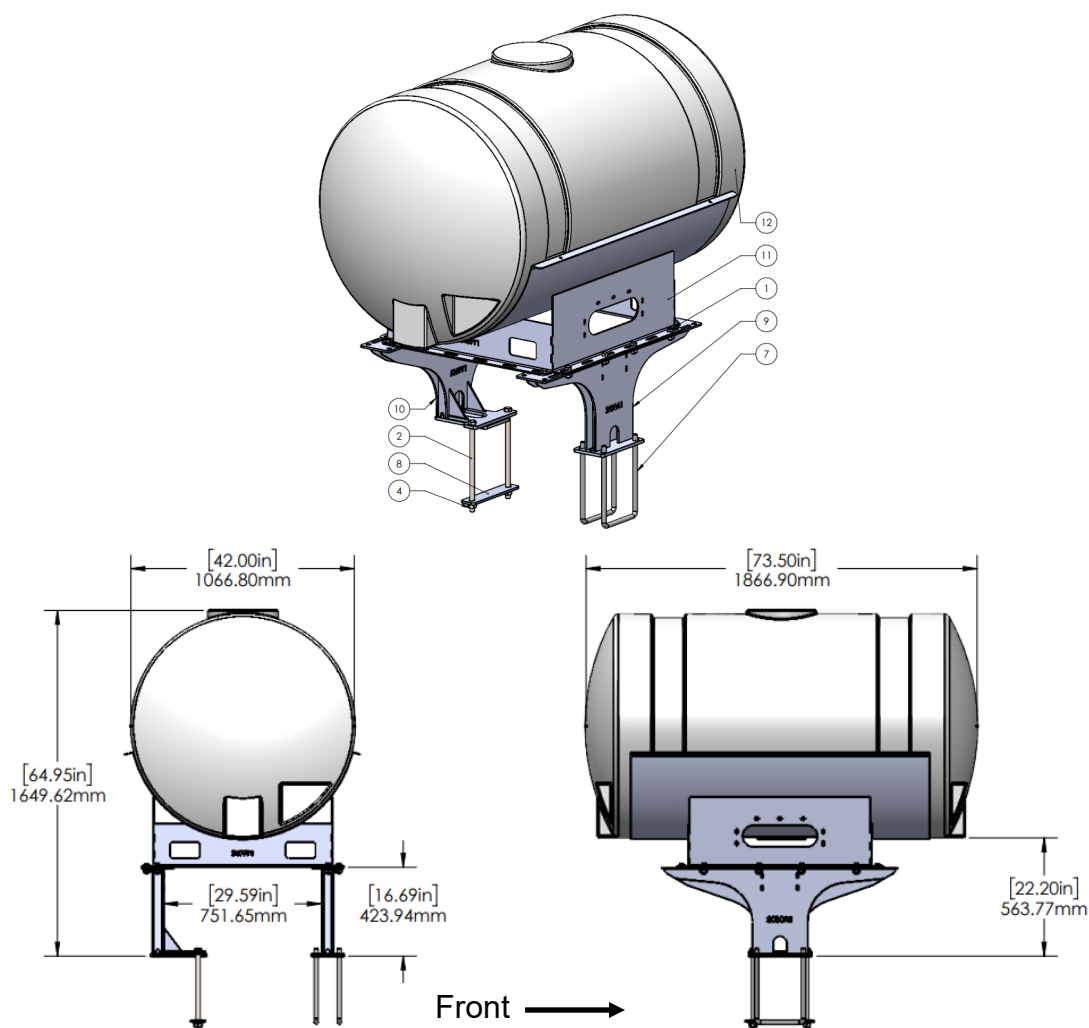


# Parts List and Installation Dimensions

## 530-02-250650

### Case IH 1250 Hitch Mount Tank - 400 Gal

ITEM NO.	PART NUMBER	DESCRIPTION	QTY.
1	300-100108-5	5/8" x 1-1/2" HCS	12
2	300-121500-5	3/4" x 15" Hex Head Bolt - G5	2
3	323-10	5/8" Flange Nut	6
4	323-12	3/4" Flange Nut	2
5	330-10	5/8" Flat Washer	12
6	330-12	3/4" Flat Washer	2
7	380-1066	3/4" U-bolt Kit - fits 8" x 12" tube - (8" opening) - includes flat & lock washers and nuts	2
8	400-5164Y1	3/8" Backer Plate for Rear Pedestal	1
9	421-2020A1	Planter Hitch Mount for Tank Cradle (400 or 500 Gallon)	1
10	421-5159Y1	Rear Planter Hitch Mount for Tank Cradle (400 or 500 Gallon)	1
11	451-2409Y1	400 Gallon Horizontal Cradle Weld Assembly	1
12	727-02-400APP	Horizontal Tank - 400 Gallon	1
13	525-3000	3" Tank Strap Kit for 400 - 500 Gallon Tanks	2
14	396-2652Y1	Case IH 1250 Tank Mounting Instructions	1



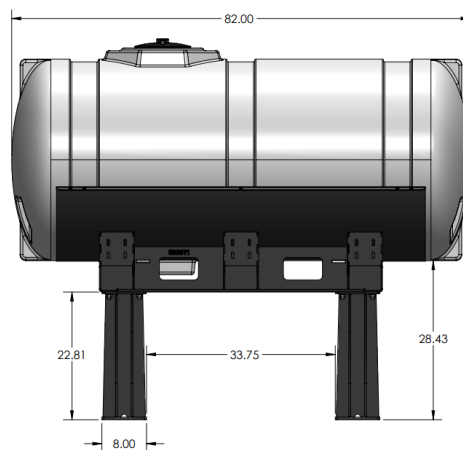
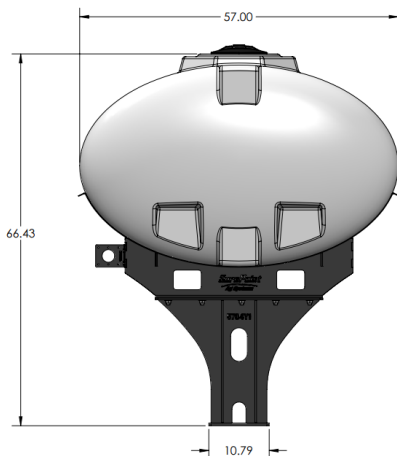
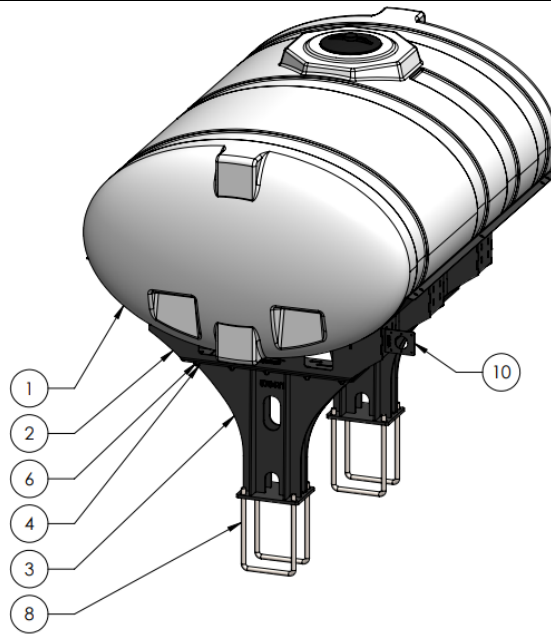


# Parts List and Installation Dimensions

## 530-02-255600

### Case IH 1250 Hitch Mount Tank - 500 Gal

ITEM NO.	PART NUMBER	DESCRIPTION	QTY.
1	727-01-HE0500-57-OS-W	Elliptical Tank - 500 Gal - White - Offset Sump	1
2	421-5638Y1	500 Gallon Elliptical Cradle - New Design	1
3	421-5704Y1	22" Tank Pedestal	2
4	307-100108-5	BOLT, FLANGE HEAD, 5/8-11 x 1-1/2, G5	14
5	300-060012-5	BOLT, HEX HEAD, 3/8-16 x 3/4, G5	2
6	325-10	NUT, TOP LOCK FLANGE, 5/8-11, G5	14
7	323-06	NUT, SERRATED FLANGE, 3/8-16, G5	2
8	380-1066	3/4" U-bolt Kit - fits 8" x 12" tube	4
9	525-3000	3" Tank Strap Kit for 400 - 1000 Gal Tank	3
10	422-2678Y1	Vacuum Gauge Extension Bracket	1
11	396-2652Y1	Case IH 1250 Hitch Mount Tank Mounting Instructions	1
12	521-00-100285	Tank Overflow Assembly Bag for 400 - 750 Gallon Tanks	1
13	280-100-AG200	1" AG200 Bulk	10'



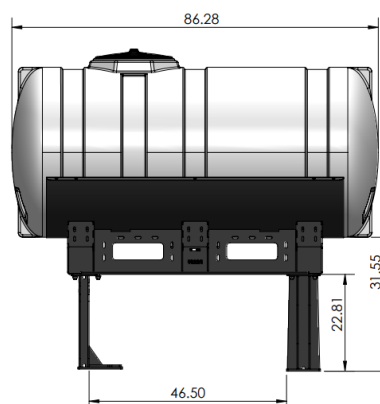
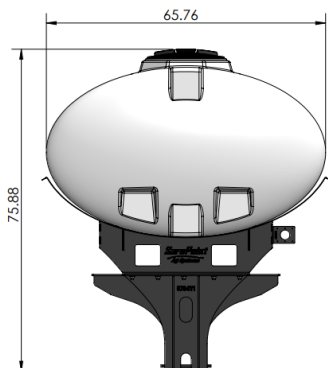
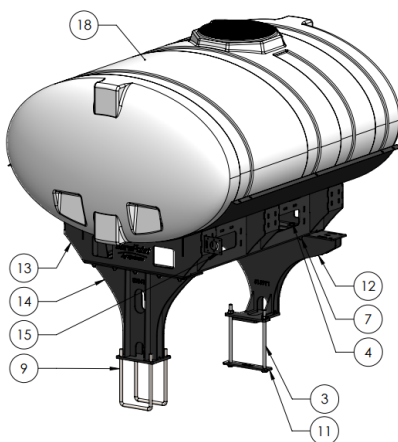


# Parts List and Installation Dimensions

## 530-02-250700

### Case IH 1250 Hitch Mount Tank - 600 Gal

ITEM NO.	PART NUMBER	DESCRIPTION	QTY.
1	280-100-AG200	1" AG200 Bulk	10'
2	300-060012-5	BOLT, HEX HEAD, 3/8-16 x 3/4, G5	2
3	300-121500-5	HCS, 3/4-10 x 15 - Steel, G5	2
4	307-100108-5	BOLT, FLANGE HEAD, 5/8-11 X 1-1/2, G5	14
5	323-06	NUT, SERRATED FLANGE, 3/8-16, G5	2
6	323-12	NUT, SERRATED FLANGE, 3/4-10, G5	2
7	325-10	NUT, TOP LOCK FLANGE, 5/8-11, G5	14
8	330-12	WASHER, FLAT, 3/4"	2
9	380-1066	3/4" U-bolt Kit - fits 8" x 12" tube	2
10	396-2652Y1	Case IH 1250 Hitch Mount Tank Mounting Instructions	1
11	400-5164Y1	3/8" Backer Plate for Rear Pedestal	1
12	421-5159Y1	Case iH 1250 Rear Pedestal - 22"	1
13	421-5321Y1	600/750 Gallon Elliptical Cradle	1
14	421-5704Y1	22" Tank Pedestal	1
15	422-2678Y1	Vacuum Gauge Extension Bracket	1
16	521-00-100285	Tank Overflow Assembly Bag for 400 - 750 Gal Tanks	1
17	525-3000	3" Tank Strap Kit for 400 - 1000 gal tank	3
18	727-01-HE0600-64-CS-W	Elliptical Tank - 600 Gallon White - Center Sump	1

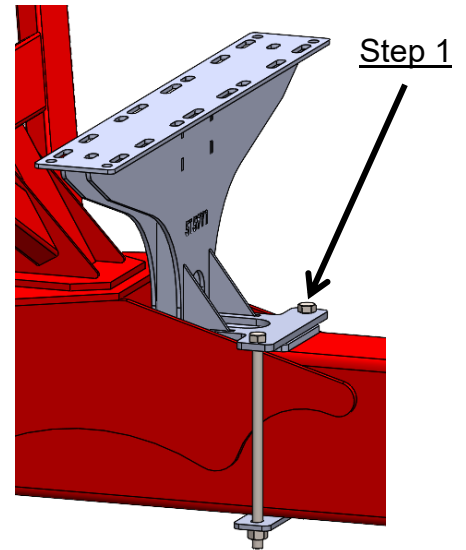




# Step by Step Instructions For Pedestals

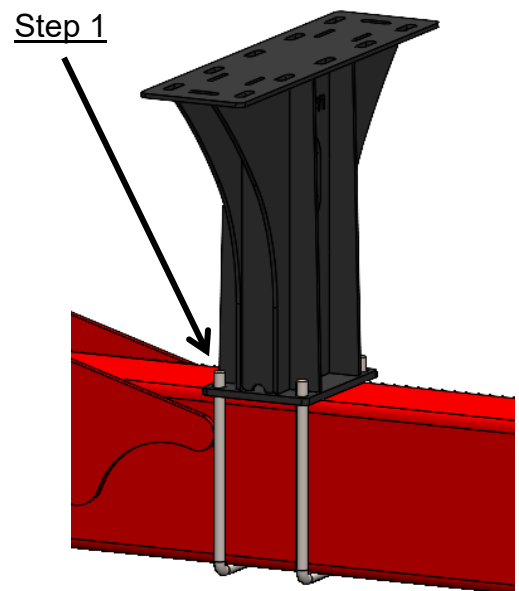
## Rear Pedestal for 300/400/600 Gal Tank

1. Loosely mount rear pedestal 421-5159Y1, on hitch 2" from base plate or until clearing the gussets on hitch. Secure onto hitch using two (2) 3/4" x 15" hex head bolts, washers, 3/4" nuts, and backer plate.



## Rear Pedestal for 500 Gal Tank

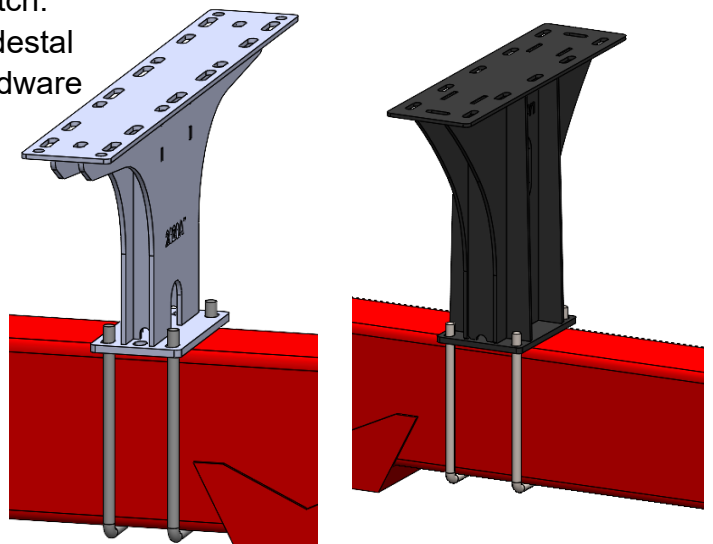
1. Loosely mount pedestal 421-5704Y1 near the back of the hitch. Secure onto hitch using the hardware provided in hardware kit 380-1066.



## Front Pedestal for all Tanks

1. Loosely mount pedestal near the front of the hitch. Pedestal will vary with each tank kit. Adjust pedestal as needed and secure onto hitch using the hardware provided in hardware kit 380-1066.

*Note: Position may vary with each tank.*

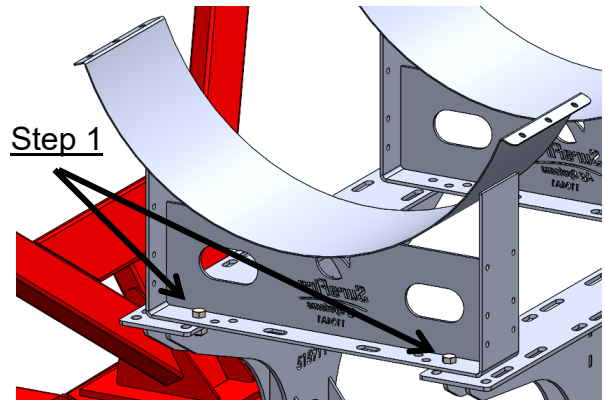




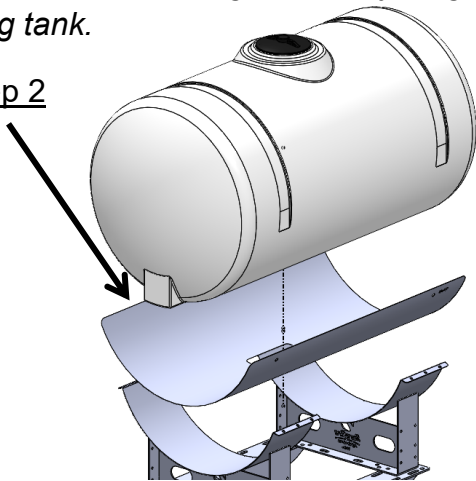
# Step by Step Instructions For Cradle & Tank

## 300 Gallon Tank

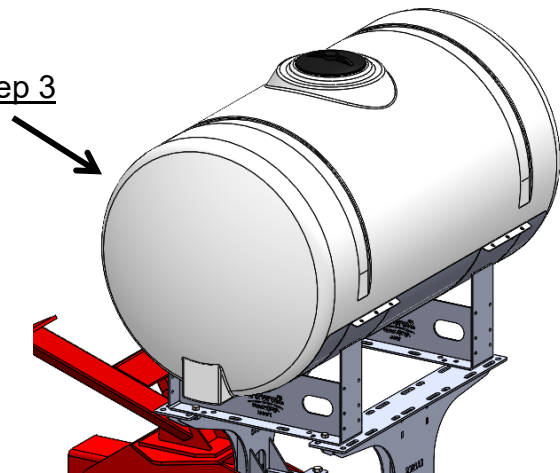
1. Loosely mount a tank saddle on the pedestals using two (2) 5/8" x 1-1/2" hex head bolts, washers, and nuts. Repeat for second tank saddle.
2. Place support sheet over top of both saddles.
3. Install tank with provided tank straps and tighten them down. *Note: Tighten everything again after filling tank.*



Step 2



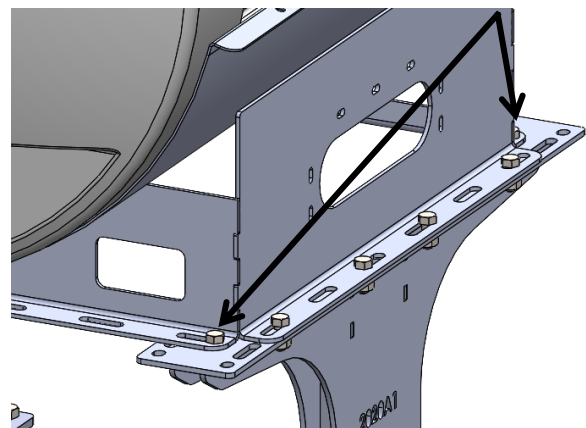
Step 3



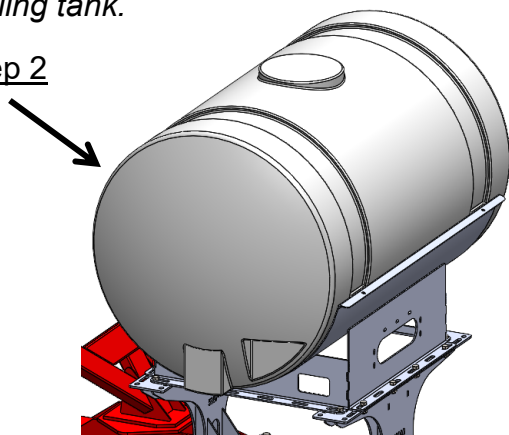
## 400 Gallon Tank

1. Loosely mount cradle on both pedestals using six (6) 5/8" x 1-1/2" hex head bolts, washers, and nuts. Repeat on opposite side.
2. Install tank with provided tank straps and tighten them down. *Note: Tighten everything again after filling tank.*

Step 1



Step 2

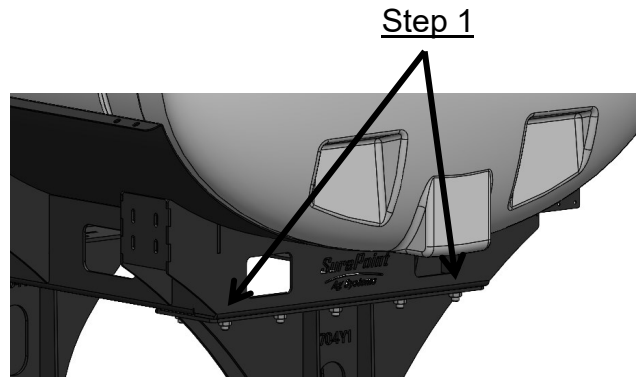




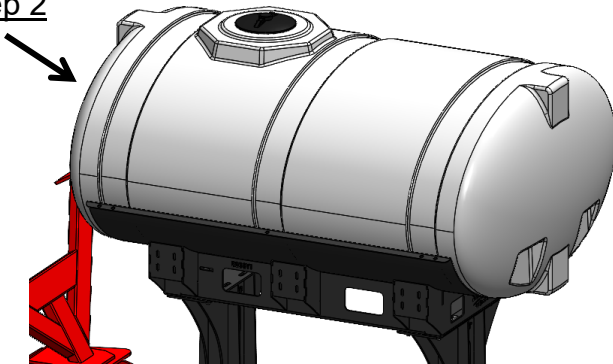
# Step by Step Instructions For Cradle & Tank

## 500 Gallon Tank

1. Loosely mount cradle on both pedestals using six (6) 5/8" x 1-1/2" flange head bolts, washers, and nuts. *Repeat on opposite side.*
2. Install tank with provided tank straps and tighten them down. *Note: Tighten everything again after filling tank.*

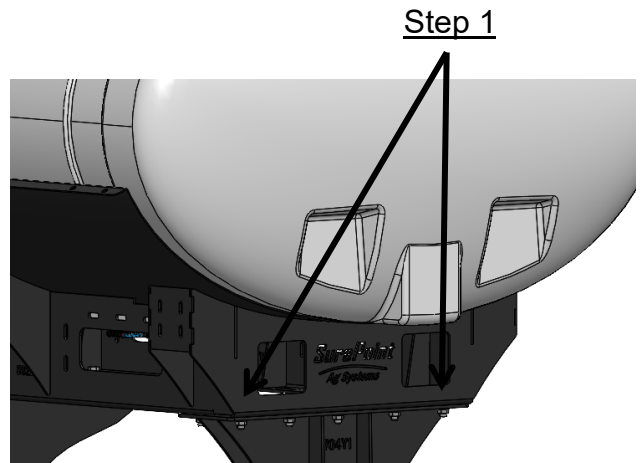


### Step 2



## 600 Gallon Tank

1. Loosely mount cradle on both pedestals using eight (8) 5/8" x 1-1/2" flange head bolts, washers, and nuts. *Repeat on opposite side.*
2. Install tank with provided tank straps and tighten them down. *Note: Tighten everything again after filling tank.*



### Step 2

