



396-2641Y1

Tank Mounting Instructions

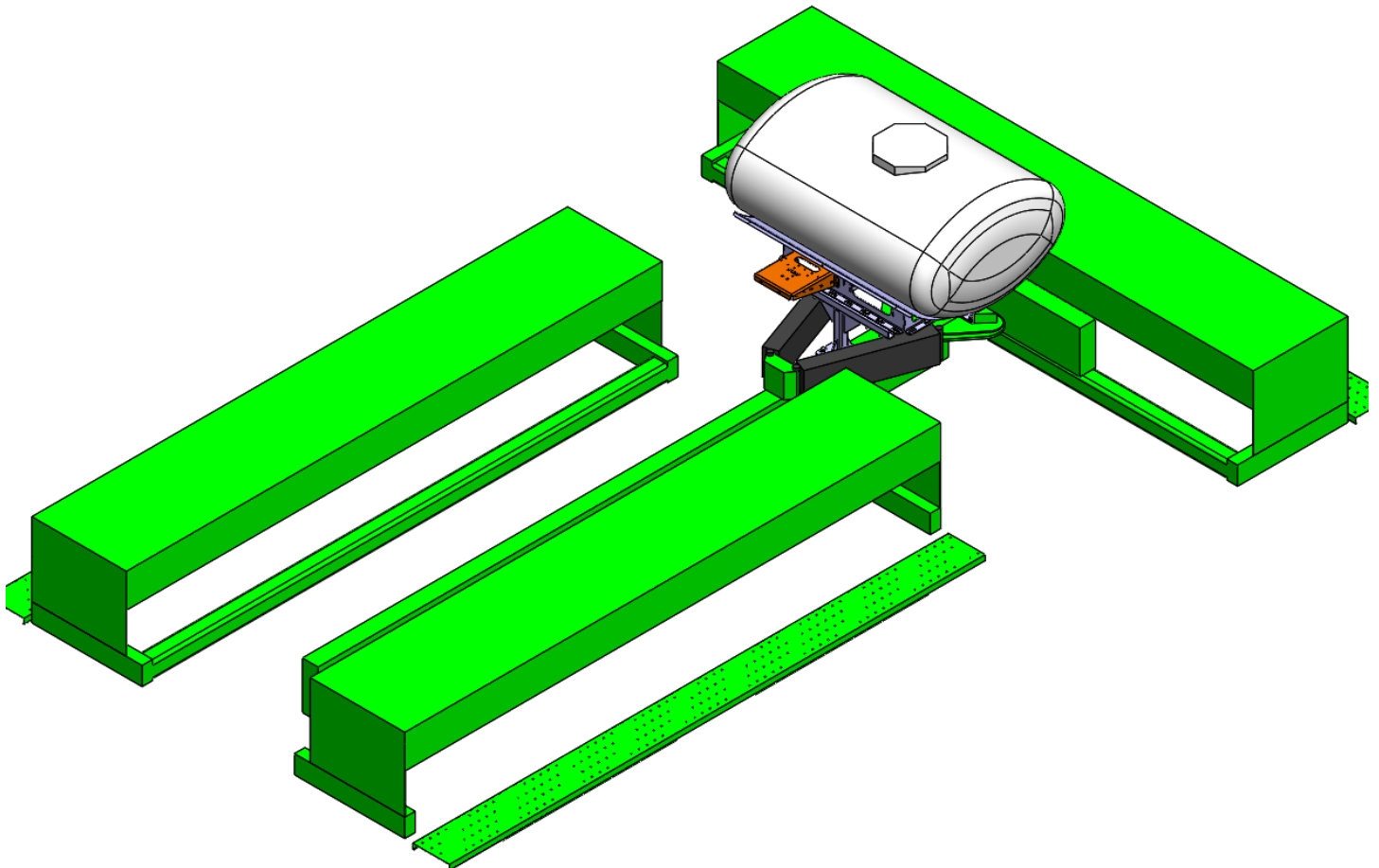
50' Drill

500 Gallon Elliptical Tank

Drill Manufacturer:



Kit Number: 551-04-400500





SurePoint Ag Systems Fertilizer Tank Safety and Warnings



SurePoint Ag Systems does not recommend transporting your implement with full fertilizer tanks. Doing so can result in damage to brackets and implement.



Remember to wear proper PPE (*Personal Protective Equipment*) when installing SurePoint Ag Systems fertilizer tank kits. Proper PPE includes gloves, foot and eye protection, and hearing protection.



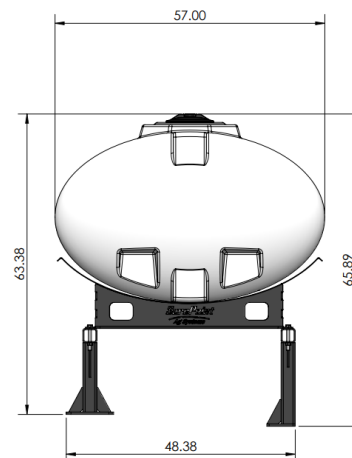
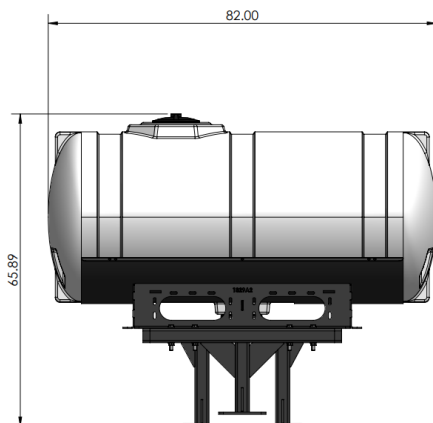
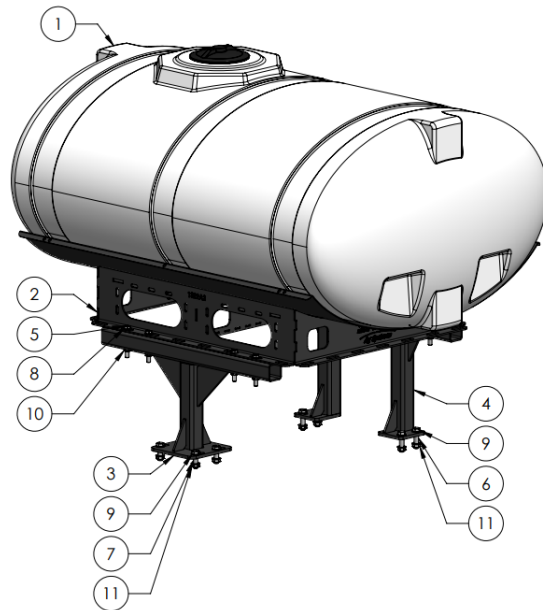
SurePoint Ag Systems fertilizer application systems require winterization when not in use. Refer to your product manual for winterization procedures.

Failure to follow the above warnings can result in personal injury, damage to your SurePoint Ag Systems products, and damage to your implement.



Parts List and Exploded View

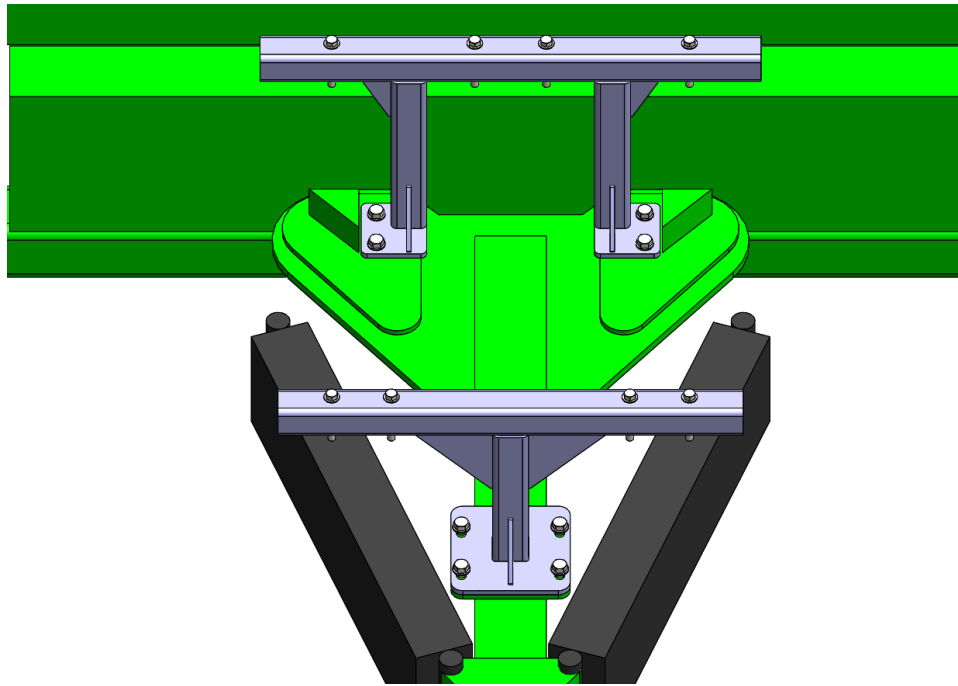
ITEM NO.	PART NUMBER	DESCRIPTION	QTY.
1	727-01-HE0500-57-CS-W	Elliptical Tank - 500 Gal - White - Center Sump	1
2	421-1329A2	500 Gallon Elliptical Cradle	1
3	450-2636Y1	Great Plains 3S5000 (50') Front Support	1
4	450-2637Y1	Great Plains 3S5000 (50') Rear Tank Stand	1
5	300-100500-5	5/8" x 5" Hex Head Bolt - G5	8
6	300-120300-5	3/4" x 3" Hex Head Bolt - G5	4
7	300-120208-5	3/4" x 2-1/2" Hex Head Bolt - G5	4
8	330-10	5/8" Flat Washer	8
9	330-12	3/4" Flat Washer	8
10	323-10	5/8" Flange Nut	8
11	323-12	3/4" Flange Nut	8
12	525-3000	3" Tank Strap Kit for 400 - 750 Gal Tanks	3
13	521-00-100285	Tank Overflow Assembly Bag for 400-750 Gal Tanks	1
14	280-100-AG200	1" AG200 Bulk	10'



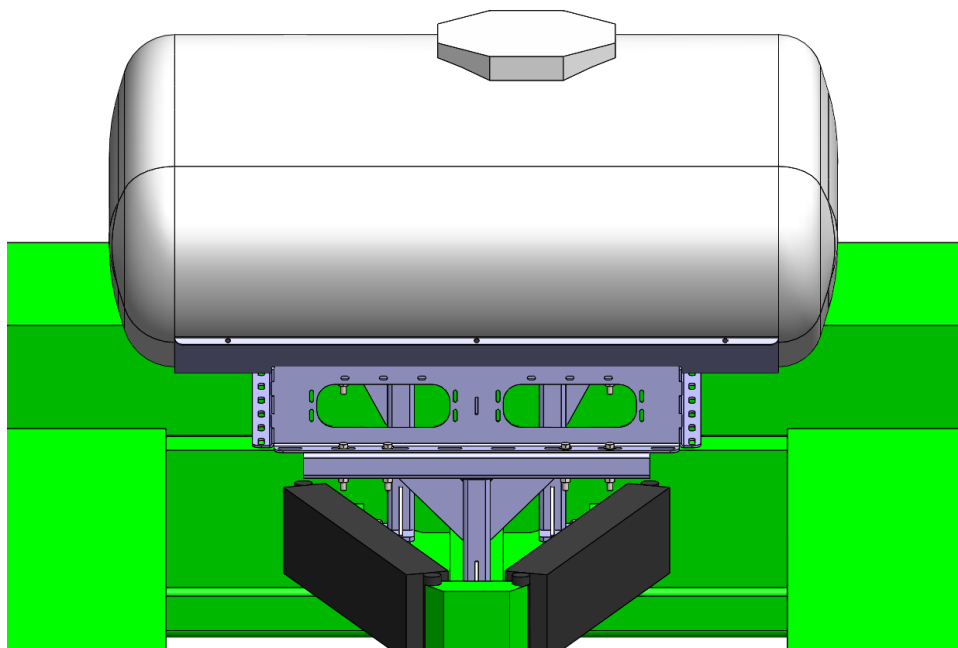


Step by Step Instructions

1. Loosely bolt rear stand to drill using holes in frame and 3/4" bolts. Note that gussets face forward.
2. Loosely bolt front stand to drill using holes in welded plate using 3/4" bolts.

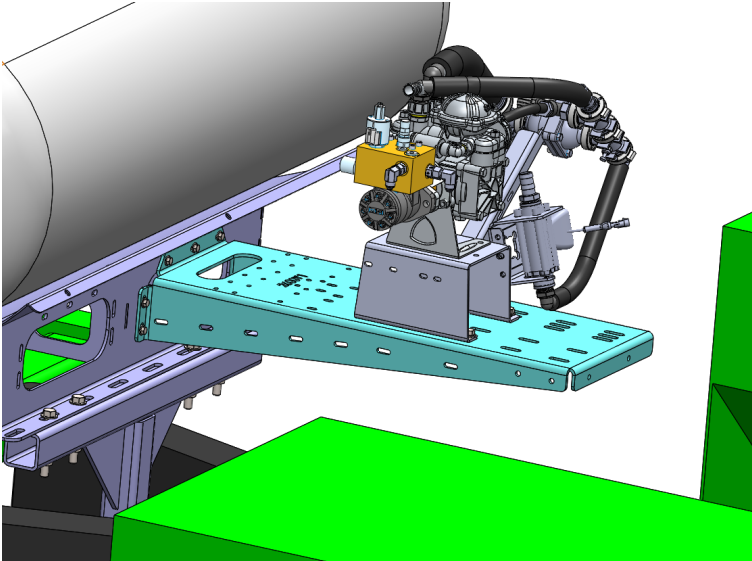


3. Set cradle on stands and bolt down using 5/8" bolts in locations shown above. Stands may be adjusted forward and backwards as necessary.
4. Once cradle is in place, tighten all bolts.
5. Set and strap tank in place on cradle.

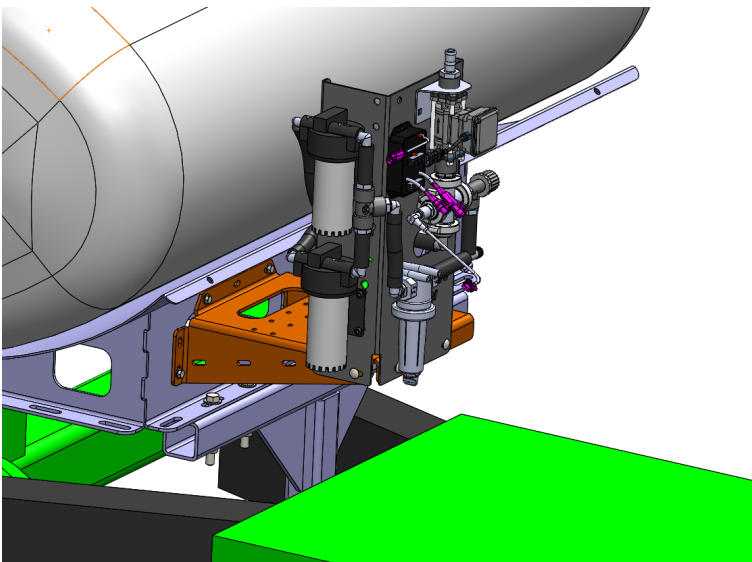




Optional/Related Items



PumpRight Bracket Kit
Kit Number: 515-203200
Instruction sheet: 396-2613Y1



Tower Bracket Kit
Kit Number: 511-100850
Instruction sheet: 396-2648Y1

Tank Fill Kit: 555-101350
Tower Discharge Kit: 556-1001
PumpRight Discharge Kit: 520-00-103600

Instruction Sheet: 396-2645Y1



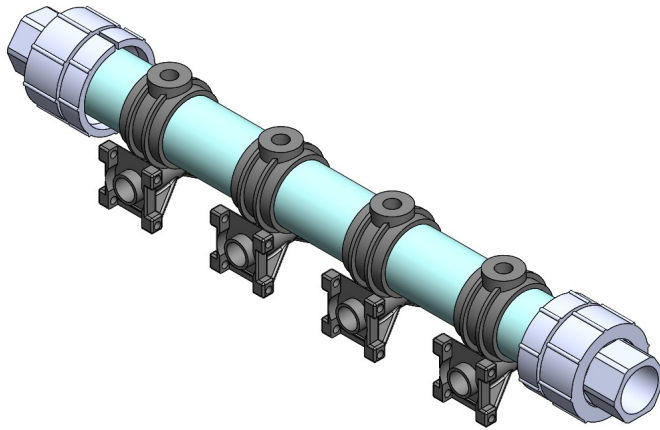
Optional/Related Items

Manifold Kits:

Instruction sheet for this kit: **396-2618Y1**

553-04-50000: 50' 7.5" spacing

553-04-50500: 50' 10" spacing



Stainless Steel Tubes:

270-54HD (shown at left)

270-54

270-GP10SERIESHD

Note: When tubes are installed on the HD openers, the seed flapper must be removed.