

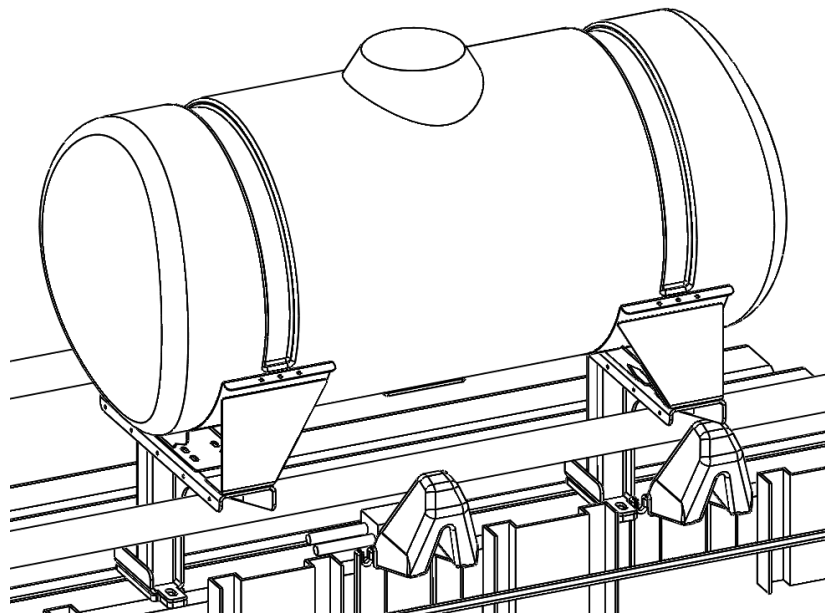


396-001840

JD 1770NT 16 Row Wing Mounted Tank Assembly and Mounting

Kit Number: 530-01-550750

Kit Includes	
Item	Qty
Tank	1
2" Tank Strap	2
1/2" Bolts, Washers, and Nuts	16
Tank Saddle	2
Tank Z Bracket	2
3/4" U-Bolt kit	2
3/4" Flange Nuts	4



General Instructions:

1. Loosely bolt Z brackets to 7"x7" tube using flange nuts.
2. Bolt tank saddles to Z brackets with off-sets toward each other using 1/2" bolts.
3. Set tank in saddles and adjust bracket locations as necessary.
4. Tighten all bolts and strap tank in place.