



396-7299Y1

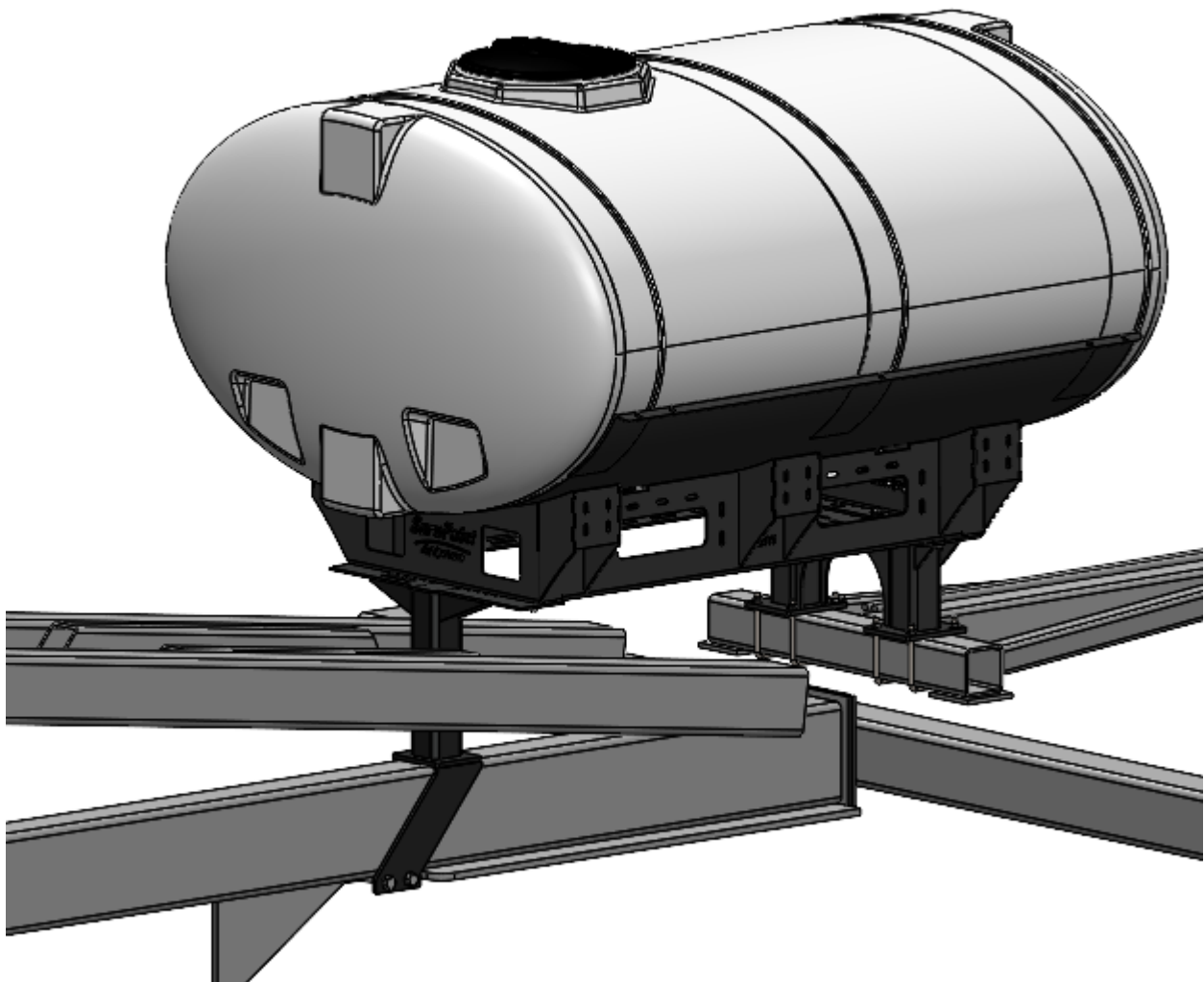
CrustBuster DBS40

750 Gal Hitch Mount Tank Kit

Installation Instructions

Kit Number: 551-02-200750

Description: CrustBuster DBS40 - 750 Gal Horizontal Tank, Bracket, & Hardware





SurePoint Ag Systems Fertilizer Tank Safety and Warnings



SurePoint Ag Systems does not recommend transporting your implement with full fertilizer tanks. Doing so can result in damage to brackets and implement.



Remember to wear proper PPE (*Personal Protective Equipment*) when installing SurePoint Ag Systems fertilizer tank kits. Proper PPE includes gloves, foot and eye protection, and hearing protection.



SurePoint Ag Systems fertilizer application systems require winterization when not in use. Refer to your product manual for winterization procedures.

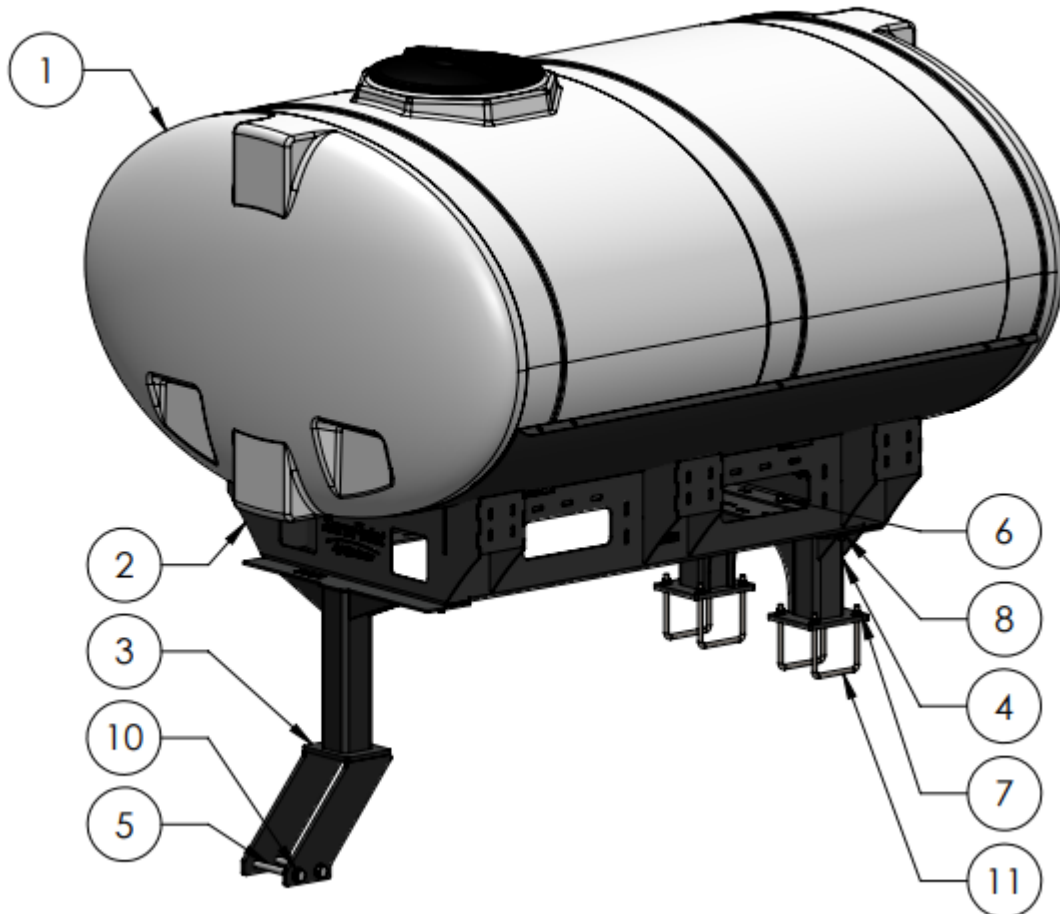
Failure to follow the above warnings can result in personal injury, damage to your SurePoint Ag Systems products, and damage to your implement.



Parts List and Exploded View

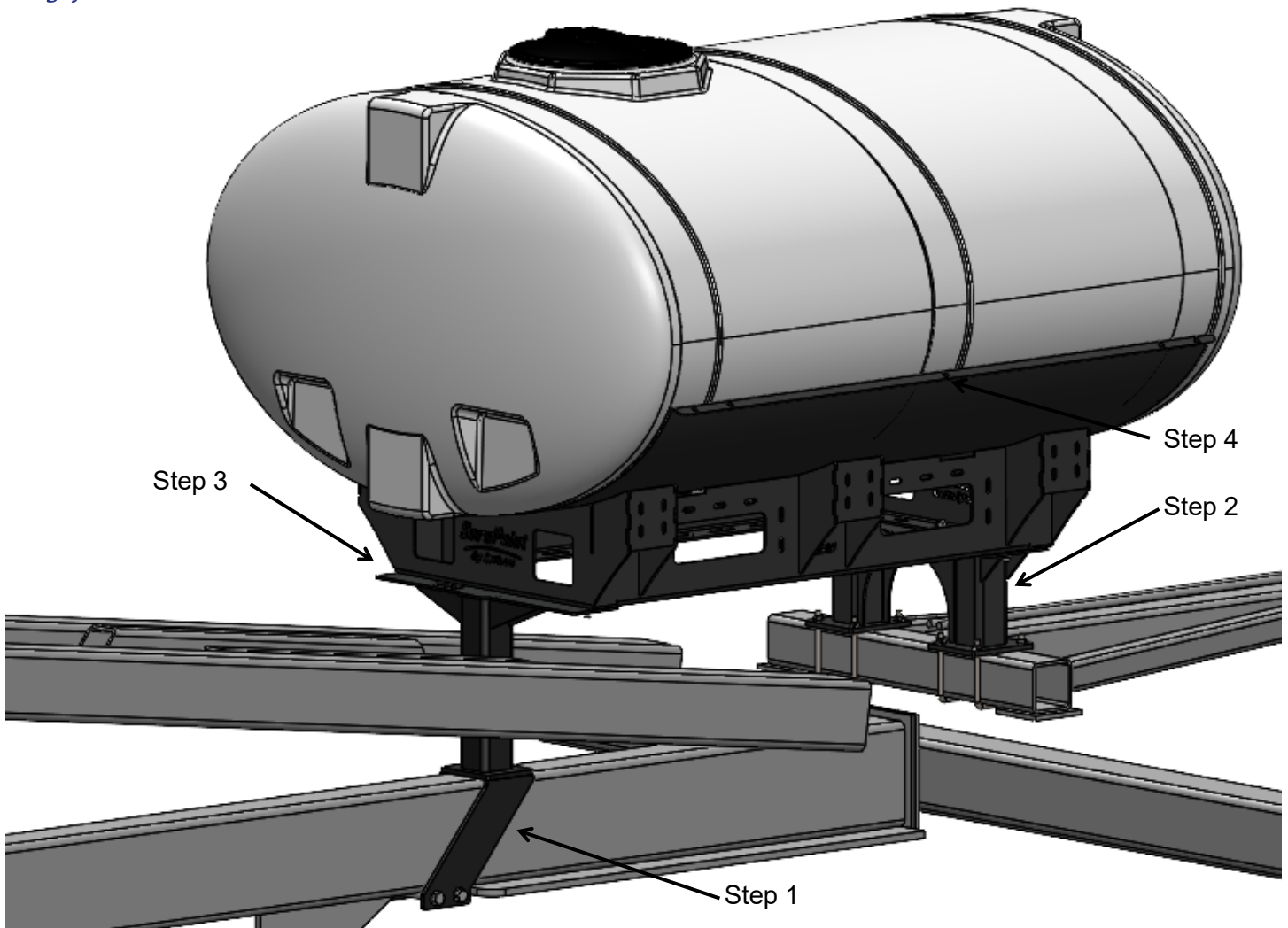
Kit Number: 551-02-200750

ITEM NO.	PART NUMBER	DESCRIPTION	QTY.
1	727-01-HE0750-69-CS-W	Elliptical Tank - 750 Gal - White	1
2	421-5321Y1	600/750 Gallon Elliptical Cradle	1
3	451-7285Y1	CrustBuster DBS40 Front Pedestal	1
4	451-7286Y1	CrustBuster DBS40 Rear Pedestal	1
5	300-120800-8	3/8" x 8" Hex Head Bolt - G8	2
6	307-100108-5	Flange Head Bolt, 5/8" x 1-1/2" - G5	10
7	325-08	Top Lock Flange Nut, 1/2"-13 - G5	8
8	325-10	5/8" Top Lock Hex Flange Nut	10
9	325-12-8	3/4" Top Lock Flange Nut - G8	2
10	330-12	3/4" Flat Washer	2
11	380-1035	1/2" U-bolt Kit - Fits 5" x 5" Tube	4
12	525-3000	Tank Strap Kit, 3" Wide, 400-750 Gallon	3
13	280-100-AG200	1" AG200 Bulk	10'





Step by Step Instructions



General Tank Mounting Instructions:

1. Position front pedestal on hitch as shown above. Loosely attach to hitch using the 3/4" hardware provided.
2. Position rear pedestal on implement as shown above. Loosely attach using the 1/2" U-bolts provided.
3. Place tank cradle on pedestals and loosely secure using the 5/8" hardware provided.
4. Install tank and secure with straps. *(This step may have already been completed)*
5. Inspect tank and tank brackets for interference and tighten all bolts.
6. Tighten straps again after the tank has been filled.



750 Gallon Tank Installation Dimensions

