



Drill, Applicator, and Special Order Tank Kit Catalog - Volume 1

396-7297Y1



Table Of Contents



Implement Description	Tank Size
9434 Drill - SPECIAL ORDER	400 Gallon Elliptical
9434 Drill - SPECIAL ORDER	500 Gallon Elliptical



Implement Description	Tank Size
DBS40 40' Applicator	750 Gallon Elliptical
4750 50' Drill MY23 & Older (No Markers) - SPECIAL ORDER	400 Gallon Round
4750 50' Drill MY23 & Older (No Markers) - SPECIAL ORDER	500 Gallon Elliptical
4750 50' Drill MY24 and Newer (No Markers)	400 Gallon Round
4000 25' Drill (No Markers) - SPECIAL ORDER	2 x 150 Gallon Round
4000 30' Drill (No Markers) - SPECIAL ORDER	2 x 150 Gallon Round
4740 40' Drill (No Markers)	400 Gallon Round
4745 45' Drill (No Markers)	400 Gallon Round



Implement Description	Tank Size
1890 Air Seeder Rear Mount - SPECIAL ORDER	500 Gallon Elliptical
1990 Air Seeder Rear Mount - SPECIAL ORDER	500 Gallon Elliptical
1990 Air Seeder	500 Gallon Elliptical
N540C Air Seeder	500 Gallon Elliptical
N542C Air Seeder	500 Gallon Elliptical
N530C Air Seeder	500 Gallon Elliptical
N536C Air Seeder	500 Gallon Elliptical
N543F Air Seeder w/o Dry Fertilizer	500 Gallon Elliptical
750 Drill	300 Gallon Round
1560 Drill	300 Gallon Round
1590 Drill	300 Gallon Round
455 Drill	300 Gallon Round
2410C	400 Gallon Elliptical
2410C	500 Gallon Elliptical
2410C	55 Gallon Accelerator
2430C	200 Gallon Cutaway



Implement Description	Tank Size
CPH 15	2 x 150 Gallon Round
CPH 15	2 x 200 Gallon Round
3S3000 30' - SPECIAL ORDER	400 Gallon Elliptical
3S4000 40' - SPECIAL ORDER	500 Gallon Elliptical
3S5000 50' - SPECIAL ORDER	500 Gallon Elliptical
BD7600 26'	400 Gallon Elliptical
BD7600 30'	400 Gallon Elliptical
BD7600 40'	400 Gallon Elliptical
BD7600 40'	500 Gallon Elliptical



Planter Description	Tank Size
5531	500 Gallon Elliptical
5540	500 Gallon Elliptical



Planter Description	Tank Size
500T 40'	500 Gallon Elliptical
500T 25' & 30'	300 Gallon Elliptical
500T 25' & 30' - SPECIAL ORDER	400 Gallon Elliptical
5310 16 Row 30"	110 Gallon Catalyst
5310 16 Row 30"	2 x 55 Gal. Catalyst
5310 8 Row 30"	110 Gallon Catalyst
950 Nutri-Placer - SPECIAL ORDER	155 Gallon Round
940 Nutri-Placer - SPECIAL ORDER	155 Gallon Round

Special Order Tank Kit Disclaimer

SurePoint Ag Systems offers a number of tank kits that can be ordered on a Special Order basis. If the kit that you plan to order is labeled as "Special Order", you are consenting to ordering a one-time purchased kit with no returns or refunds. To ensure that the kit you are ordering fits your implement, use the detailed drawing views in sections A-G and the instruction sheet mentioned to verify fitment before issuing a PO to SurePoint Ag Systems. All sales of Special Order tank kits are final and non-refundable.

* All dimensions shown are in Inches unless otherwise noted *



SUNFLOWER

Kit Number	Kit Description	Page
551-01-100500	400 Gallon Elliptical Tank, Brackets, and Hardware for Sunflower 9434 Drill - Special Order	A1
551-01-100750	500 Gallon Elliptical Tank, Brackets, and Hardware for Sunflower 9434 Drill - Special Order	A2



Kit Number	Kit Description	Page
551-02-100400	CrustBuster Drill Kit - 200 Gal Tank for 25' & 30' Drill with markers - Special Order	B1
551-02-102200	CrustBuster Drill Kit - 2 x 150 Gal Tank Bracket & Hardware for 25' & 30" Drill without markers	B2
551-02-200500	Crustbuster 400 Gal Horizontal Tank, Bracket, & Hardware (use on 3 section 40' & 45' drill)	B3
551-02-200750	CrustBuster DBS40 - 750 Gal Elliptical Tank, Bracket, & Hardware	B4
551-02-300400	CrustBuster 4750 Drill w/o markers - 400 Gal Round Tank, Bracket and Hardware (MY23 & Older)	B5
551-02-300410	CrustBuster 4750 Drill w/o markers - 400 Gal Round Tank, Bracket and Hardware (MY24 & Newer)	B6
551-02-300450	CrustBuster 4750 Drill w/o markers - 400 Gal Elliptical Tank (MY23 and Older) - Special Order	B7
551-02-300500	CrustBuster 4750 Drill w/o markers - 500 Gal Elliptical Tank (MY23 and Older) - Special Order	B8

JOHN DEERE

Kit Number	Kit Description	Page
551-03-100500	John Deere 1990 Front Hitch Mount 500 Gal Tank, Bracket, and Hardware	C1
551-03-200100	John Deere N540C/N542C Series Front Hitch Mount 500 Gal Tank	C2
551-03-200150	John Deere N530C/N536C 500 Gallon Tank, Bracket, and Hardware	C3
551-03-200200	John Deere N543F 500 Gallon Hitch Mount Tank Kit - No Dry Fertilizer (MY24 and Older)	C4
551-03-200500	John Deere 1890/1990 Rear Mount 500 Gal Tank, Bracket, and Hardware - Special Order	C5
551-03-300500	John Deere 750, 1560, 1590 Rear Mount 300 Gal Tank, Bracket and Hardware	C6
551-03-500600	John Deere 455 Drill Tank Kit - 300 gal tank bracket and hardware	C7
528-01-450150	JD 2410C 400 Gallon Elliptical Tank Kit - incl. tank, bracket & hardware	C8
528-01-450160	JD 2410C 500 Gallon Elliptical Tank Kit - incl. tank, bracket & hardware	C9
528-01-450170	JD 2410C 55 Gal Accelerator tank 12" stand kit - must add Accelerator Tank Kit	C10
528-01-455160	JD 2410C 500 Gallon Elliptical Tank Kit - incl Tank, Bracket, & Hardware (New Design)	C11
528-01-800100	John Deere 2430C Hitch Mounted Tank - 200 Gal Cutaway Hitch Mount Tank Kit	C12



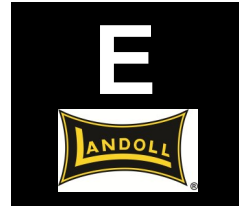
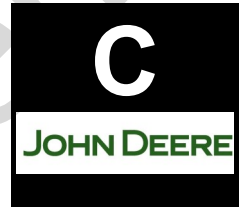
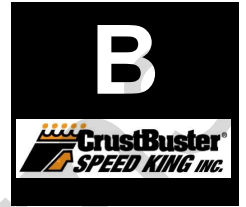
Kit Number	Kit Description	Page
551-04-100150	Great Plains CPH 15 - Dual 150 Gallon Tank Kit	D1
551-04-100200	Great Plains CPH 15 - Dual 200 Gallon Tank Kit	D2
551-04-100500	Drill Kit - Great Plains 3S3000 (30') with 400 Gallon Elliptical tank, bracket, and hardware	D3
551-04-200500	Drill Kit - Great Plains 3S4000 (40') with 400 Gallon Elliptical tank, bracket, and hardware	D4
551-04-200600	Drill Kit - Great Plains 3S4000 (40') with 500 Gallon Elliptical tank - Special Order	D5
551-04-260400	Great Plains BD7600-26 (26') 400 Gallon Tank Kit - Includes Tank, Bracket, and Hardware	D6
551-04-300400	Great Plains BD7600-30 (30') 400 Gallon Tank Kit - Includes Tank, Bracket, and Hardware	D7
551-04-300500	300 Gal Round Tank & Saddle Assm to mount to 6"x12" hitch tube (Great Plains Drill no marker)	D8
551-04-400400	Great Plains BD7600-40 (40') 400 Gallon Tank Kit - Includes Tank, Bracket, and Hardware	D9
551-04-400450	Great Plains BD7600-40 (40') 500 Gallon Tank Kit - Includes Tank, Bracket, and Hardware	D10
551-04-400500	Drill Kit - Great Plains 3S5000 (50') with 500 Gallon Elliptical tank - Special Order	D11



Kit Number	Kit Description	Page
551-05-105600	Landoll 5531 500 Gallon Elliptical Tank Kit	E1
551-05-200500	Landoll 5540 500 Gallon Hitch Tank Kit - Includes Tank, Bracket, and Hardware	E2



Kit Number	Kit Description	Page
516-02-100100	Case iH 5310 16R30 Mounting Kit for Single Center Mounted 55 or 110 Gallon Catalyst Tank	F1
516-02-100150	Case iH 5310 16R30 Mounting Kit for Dual 55 Gallon Catalyst Tanks	F2
516-02-100500	Case iH 940-950 Hitch Mount Tank Kit for use with 55, 110, or 155 Gal Tank - Special Order	F3
551-06-100500	500 Gallon Elliptical Tank, Bracket and Hardware for Case 500T 40'	F4
551-06-200500	300 Gallon Horizontal Tank, Bracket and Hardware for Case 500T 25' & 30'	F5
551-06-200750	400 Gallon Elliptical Tank, Bracket and Hardware for Case 500T 25' & 30'	F6

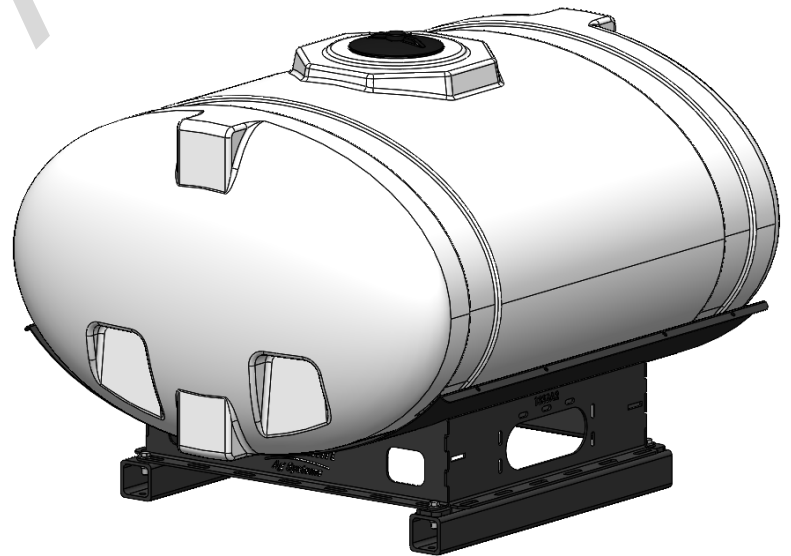
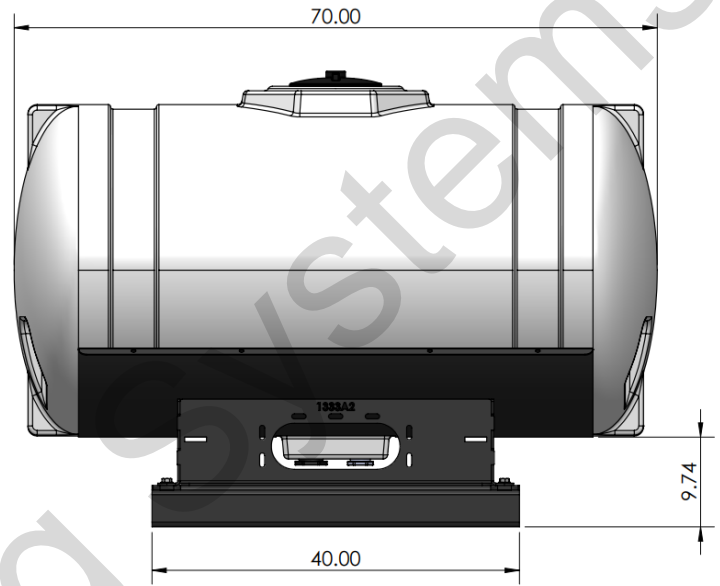
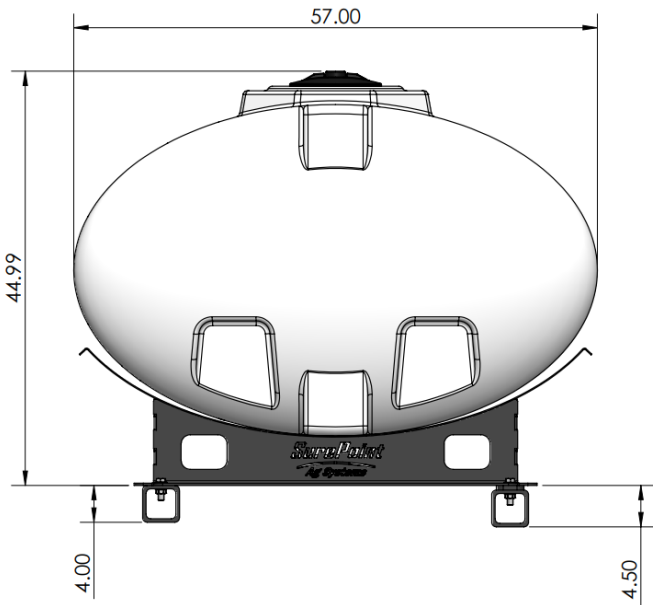


551-01-100500 - SPECIAL ORDER

Sunflower 9434 & Newer Drills

400 Gal Elliptical Tank Kit

Instruction Sheet: 396-001190Y1



Part Number	Description
727-01-HE0400-57-W	Elliptical Tank - 400 Gallon - White
421-1333A2-BK	400 Gallon Elliptical Cradle
421-1331A1-BK	4" x 40" x 0.375" Tubing
421-1332A1-BK	3" x 0.5" Spacer

*Kit includes mounting hardware and U-Bolts

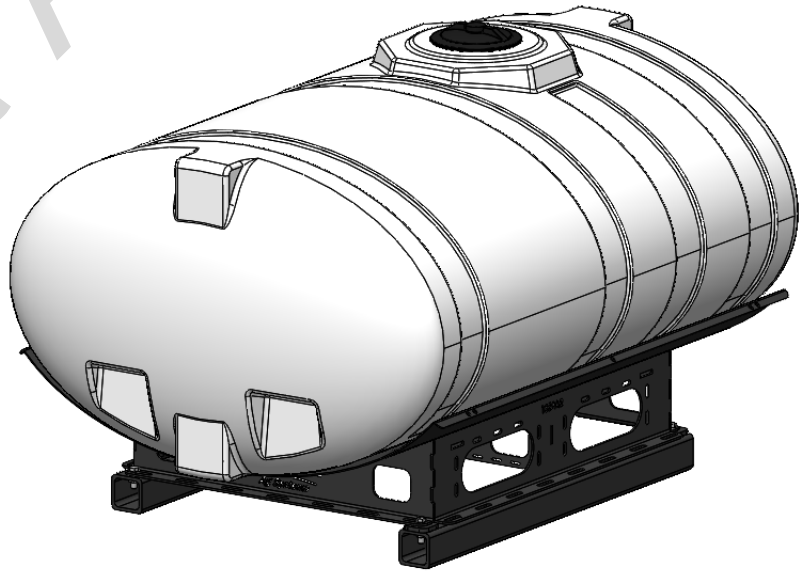
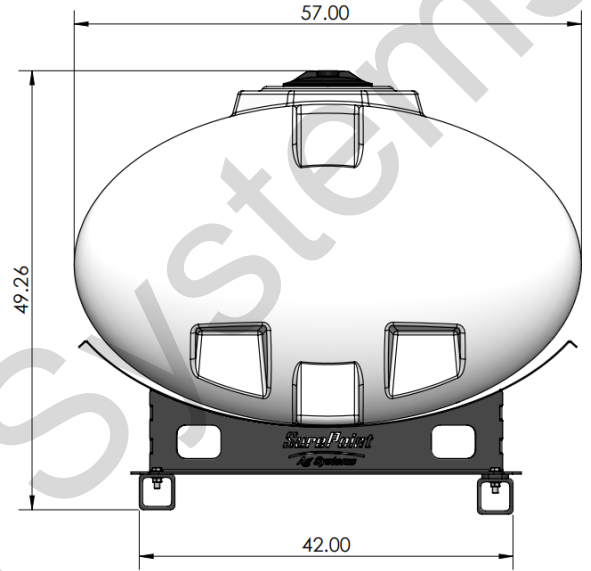
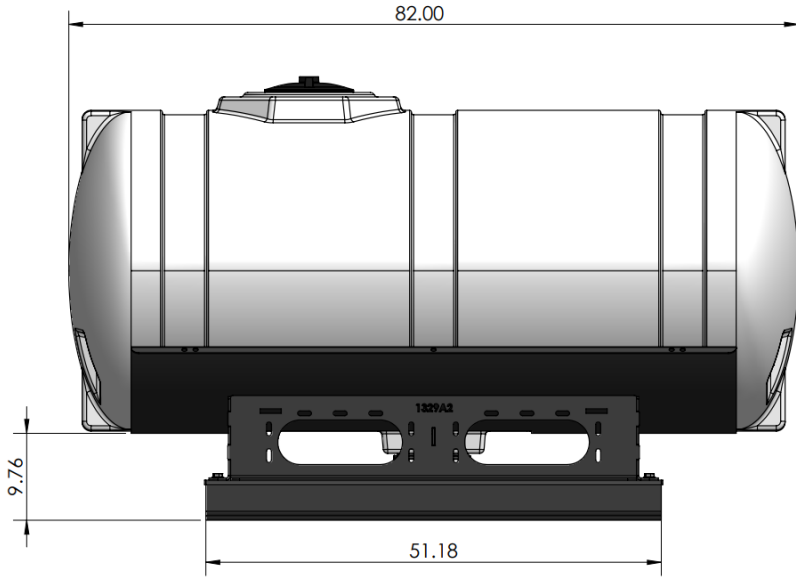


551-01-100750 - SPECIAL ORDER

Sunflower 9434 & Newer Drills

500 Gal Elliptical Tank Kit

Instruction Sheet: 396-001190Y1



Part Number	Description
727-01-HE0500-57-W	Elliptical Tank - 500 Gallon - White
421-1329A2-BK	500 Gallon Elliptical Cradle
421-2097A1-BK	4" Tube for Sunflower 9434
421-1332A1-BK	3" x 0.5" Spacer

*Kit includes mounting hardware and U-Bolts

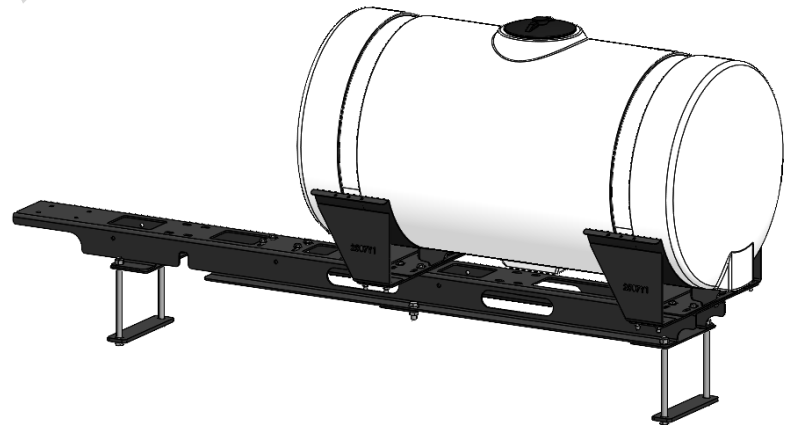
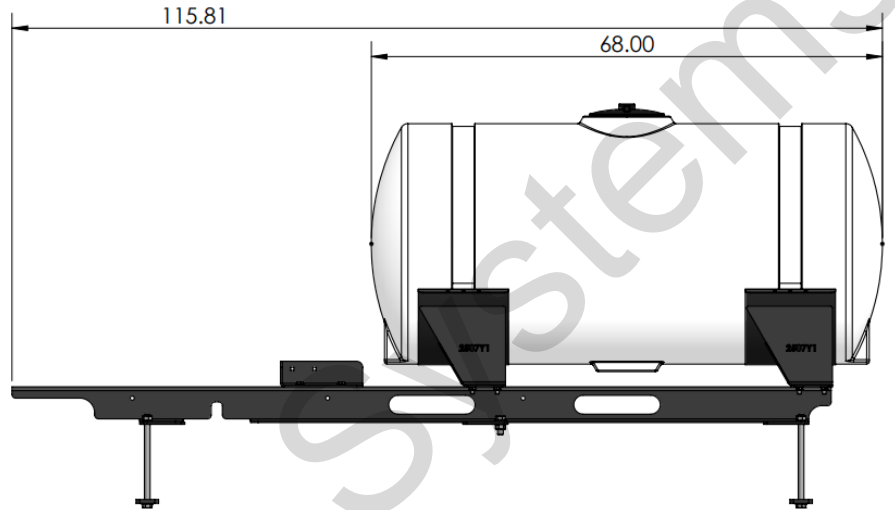
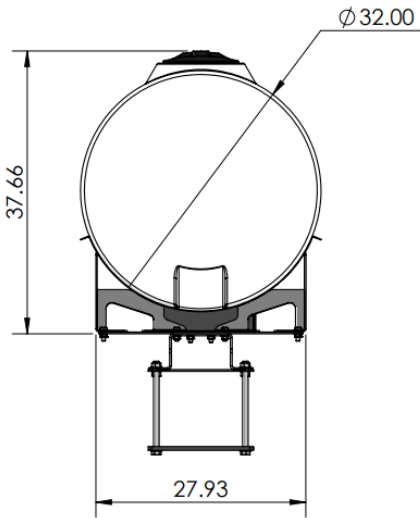
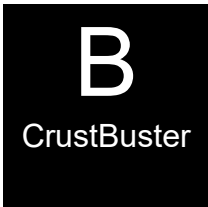


551-02-100400 - SPECIAL ORDER

CrustBuster Drill Kit - 200 Gal Tank Kit

For 25' / 30' Drills with Markers

Instruction Sheet: 396-001820Y1



Part Number	Description
727-02-HZ0200-32-W	Horizontal Tank - 200 Gallon - White - 32" x 68"
420-2507Y1-BK	Tank Saddle Assembly for 32" Tank
451-2395Y1-BK	Attachment Bracket for CrustBuster
420-2543Y1-BK	Flat Plate Adapter for Saddle
420-2544Y1-BK	Bottom Support Plate for Attachment Bracket
451-2545Y1-BK	Backer Plate for Attachment Bracket

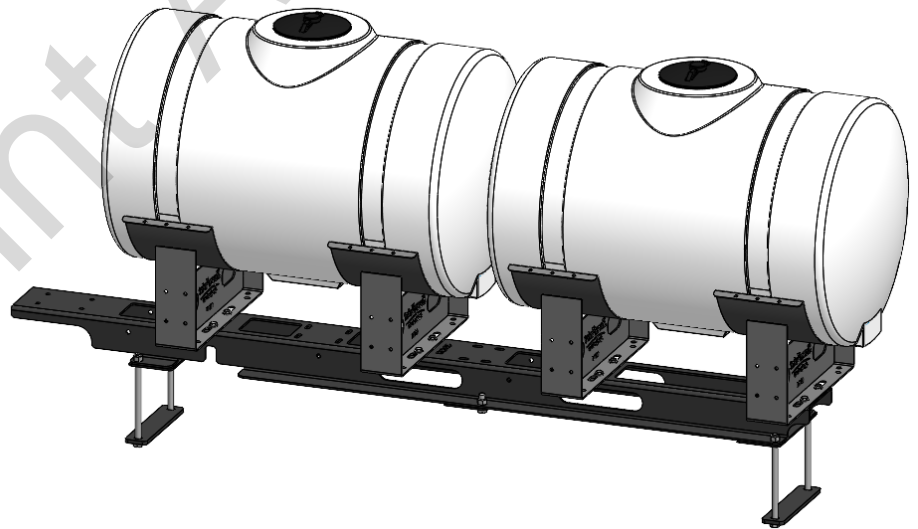
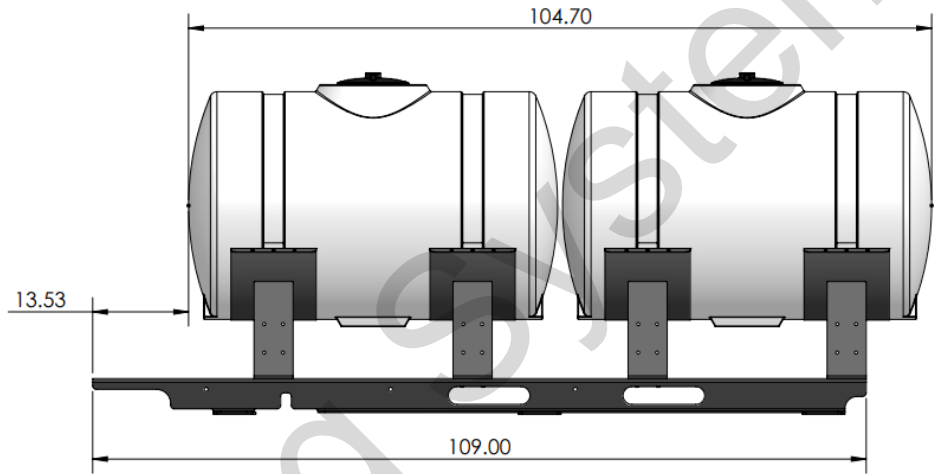
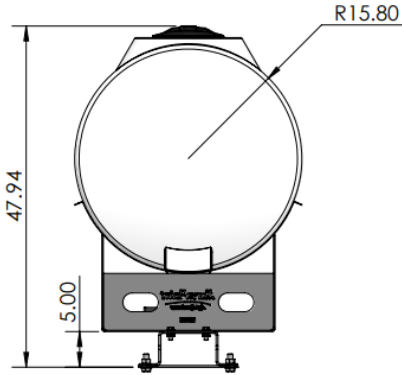
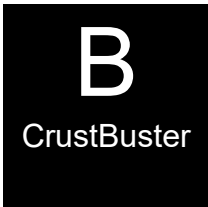
*Kit includes mounting hardware and U-Bolts



551-02-102200

CrustBuster Drill Kit - 2 x 150 Gal Tank Bracket & Hardware for 25' & 30" Drill Without markers

Instruction Sheet: 396-001830Y1



Part Number	Description
727-02-HZ0150-32-W	Horizontal Tank - 150 Gal - White - 32" x 52"
420-1107A1 - BK	32" Tank Saddle
451-2395Y2 - BK	Attachment Bracket for CrustBuster
451-2544Y1 - BK	Bottom Support Plate for CrustBuster 451-2395Y1 mount 3/4" Bolts
451-2545Y1 - BK	Backer Plate for CrustBuster 3/4" bolts

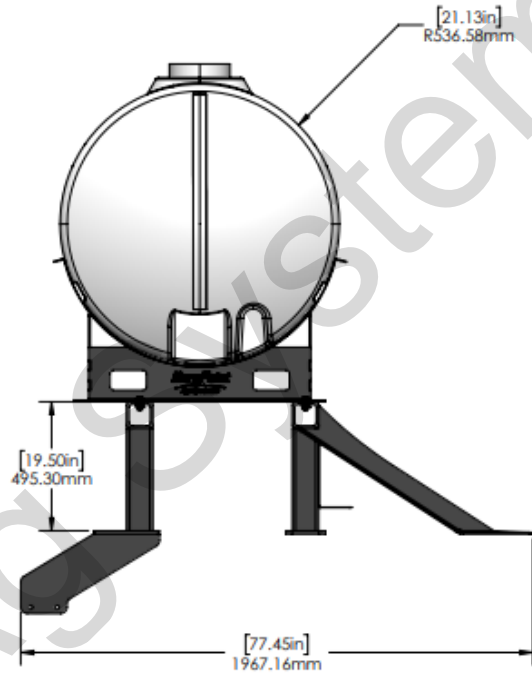
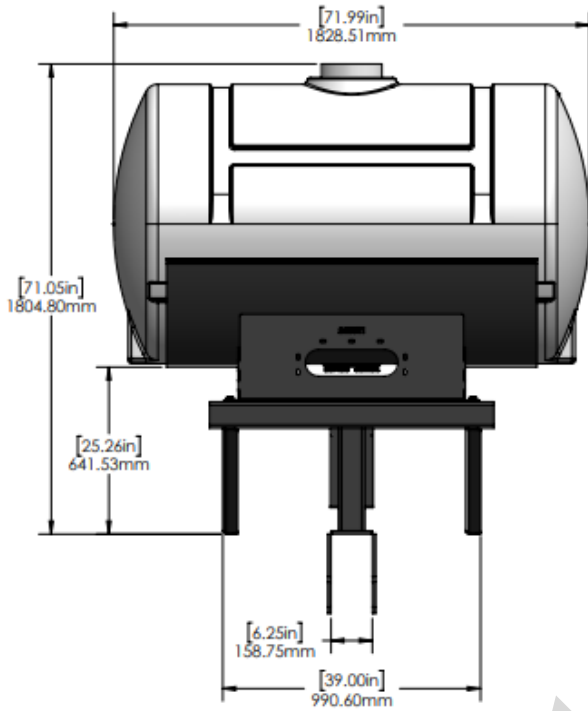
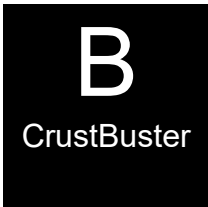
*Kit includes mounting hardware and U-Bolts



551-02-200500

Crustbuster 400 Gal Horizontal Tank, Bracket, & Hardware (use on 3 section 40' & 45' drill)

Instruction Sheet: 396-2604Y1



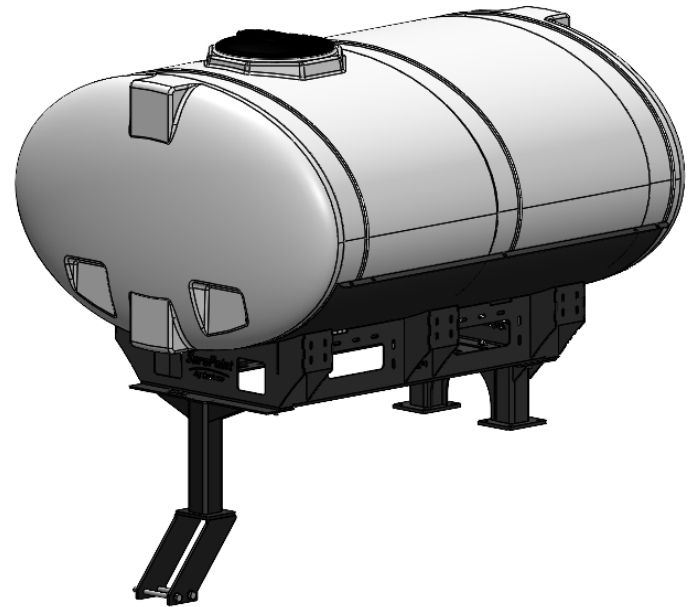
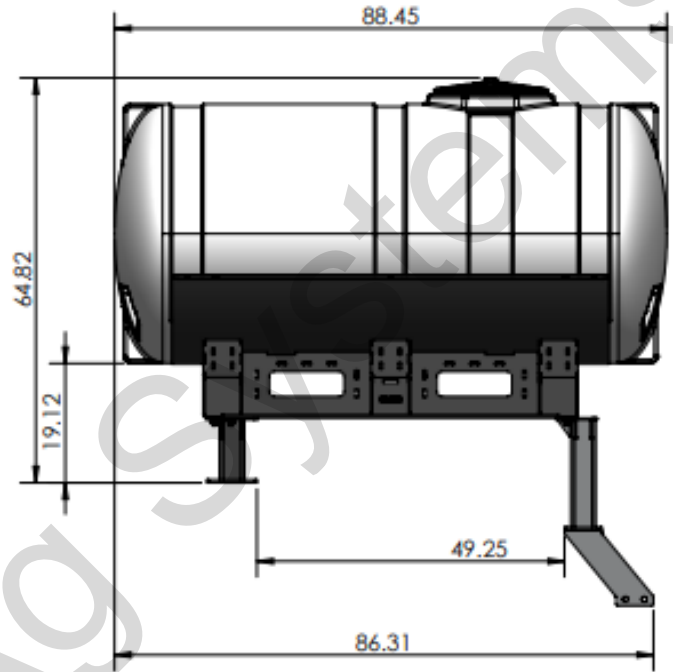
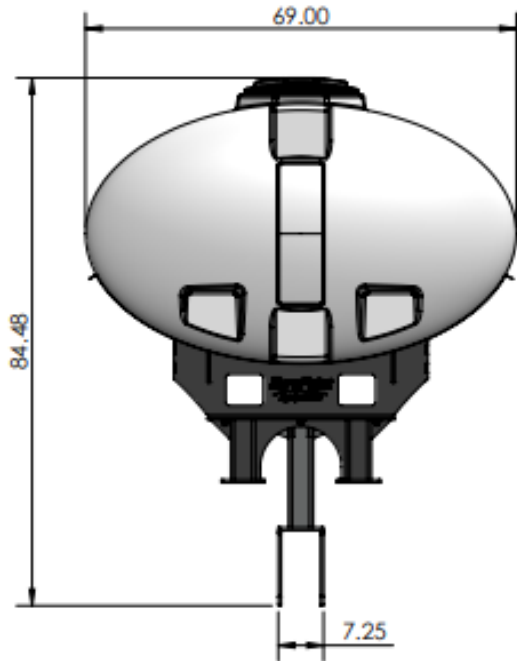
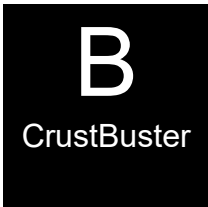
Part Number	Description
727-02-HZ0400-42-W	Round Tank - 400 Gallon White - Center Sump with Tank Bungs
451-2409Y1 - BK	400 Gallon Horizontal Cradle Weld Assembly
451-1355A1 -BK	CrustBuster 3 Section Front Bracket
451-1362A1 -BK	CrustBuster 3 Section Rear Bracket

*Kit includes mounting hardware and U-Bolts



551-02-200750

CrustBuster DBS40 - 750 Gal Elliptical Tank, Bracket, & Hardware Instruction Sheet: 396-2604Y1



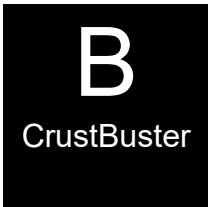
Part Number	Description
727-01-HE0750-69-CS-W	Elliptical Tank - 750 Gal - White
421-5321Y1 - BK	600/750 Gallon Elliptical Cradle
451-7285Y1 -BK	Front 750 GAL TANK PEDESTALS
451-7286Y1 -BK	Rear 750 GAL TANK PEDESTALS

*Kit includes mounting hardware and U-Bolts

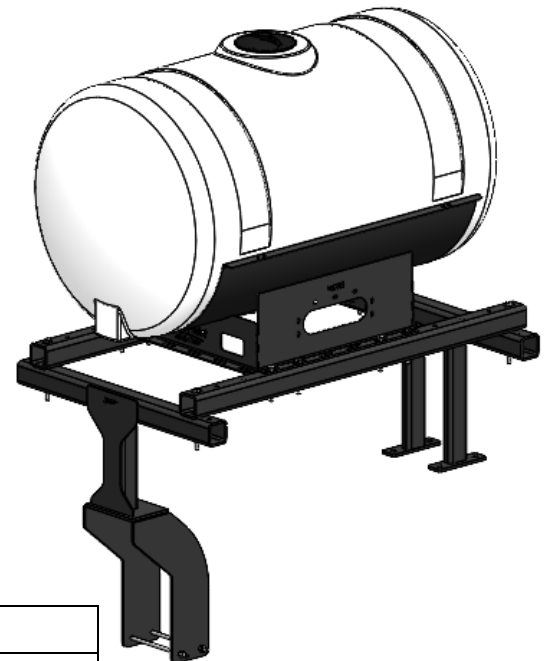
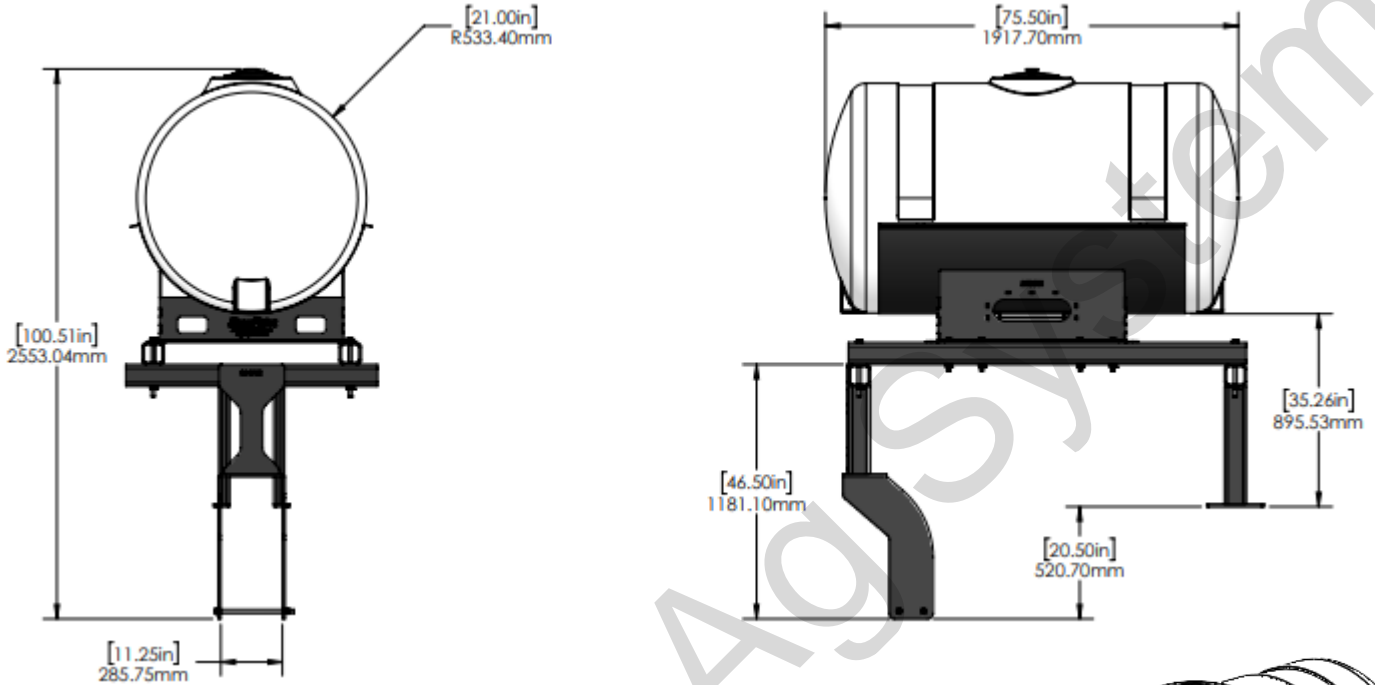


551-02-300400 - SPECIAL ORDER

CrustBuster 4750 Drill w/o markers - 400 Gal Round Tank, Bracket and Hardware (MY23 & Older)



Instruction Sheet: 396-4002Y1



Part Number	Description
727-02-HZ0400-42-W	Horizontal Tank - 400 Gal - White 74" x 42"
451-2409Y1 - BK	400 Gallon Horizontal Cradle Weld Assembly
451-3949Y1 - BK	Rear Tank Stand - Crustbuster 4750 (50') Drill - Weldment
451-3945Y1 - BK	Front Tank Stand - CrustBuster 4750 (50') Drill - Weldment
451-3954Y1 - BK	Span Support Beam - 4x4x3/8" Square Tube

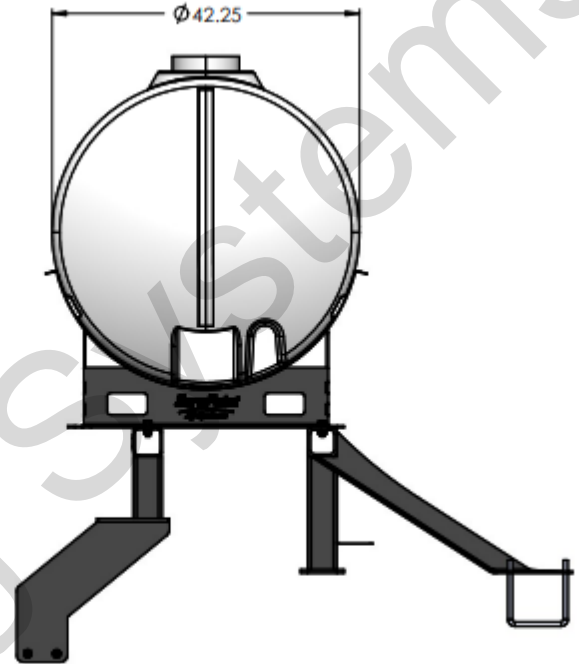
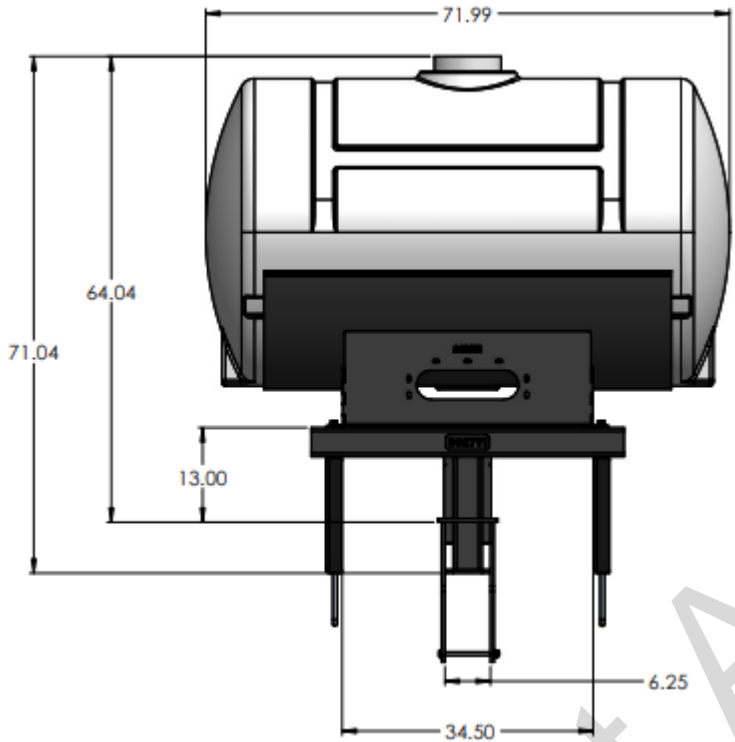
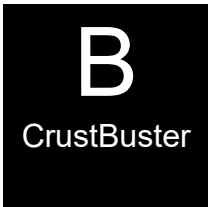
*Kit includes mounting hardware and U-Bolts



551-02-300410

CrustBuster 4750 Drill w/o markers - 400 Gal Round Tank, Bracket and Hardware (MY24 & Newer)

Instruction Sheet: 396-2604Y1



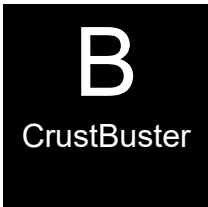
Part Number	Description
727-02-HZ0400-42-W	Horizontal Tank - 400 Gal - White 74" x 42"
451-2409Y1 - BK	400 Gallon Horizontal Cradle Weld Assembly
451-6627Y1 -BK	Front Pedestal
451-1362A1	CrustBuster 3 Section Rear Bracket Assembly(Fits models 4740 & 4745)

*Kit includes mounting hardware and U-Bolts

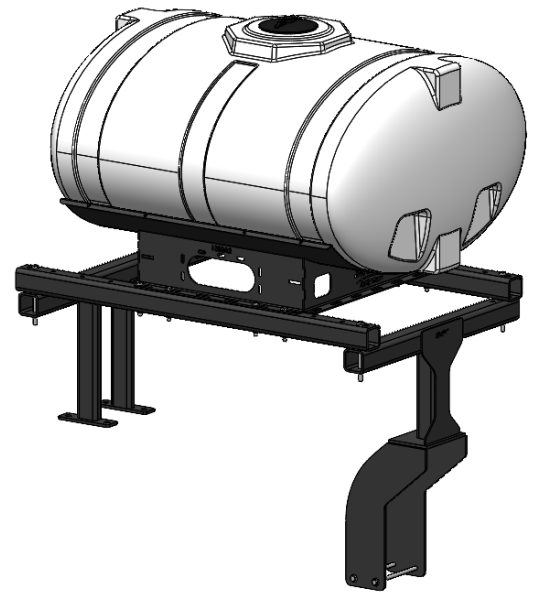
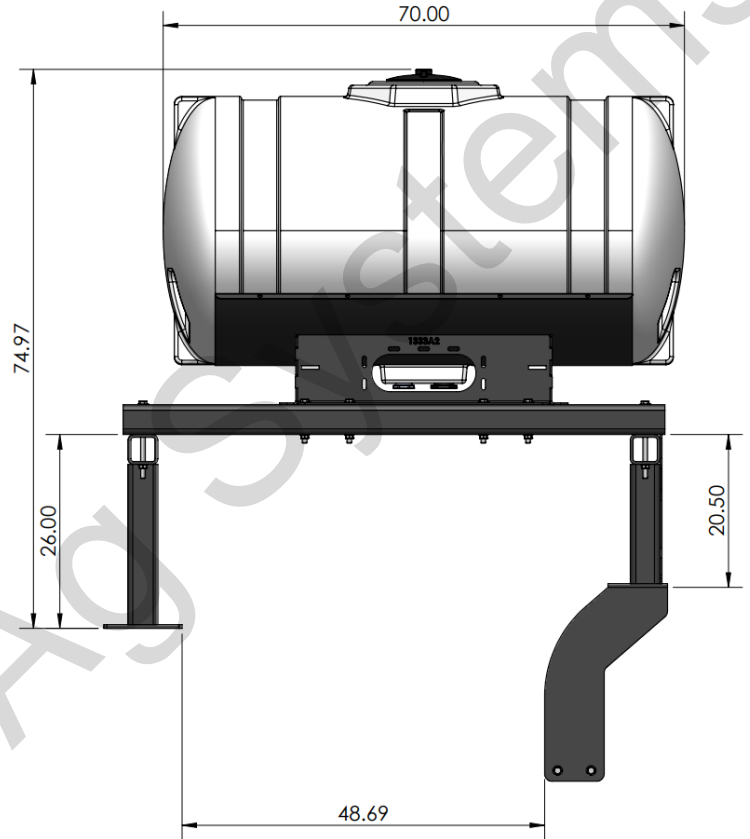
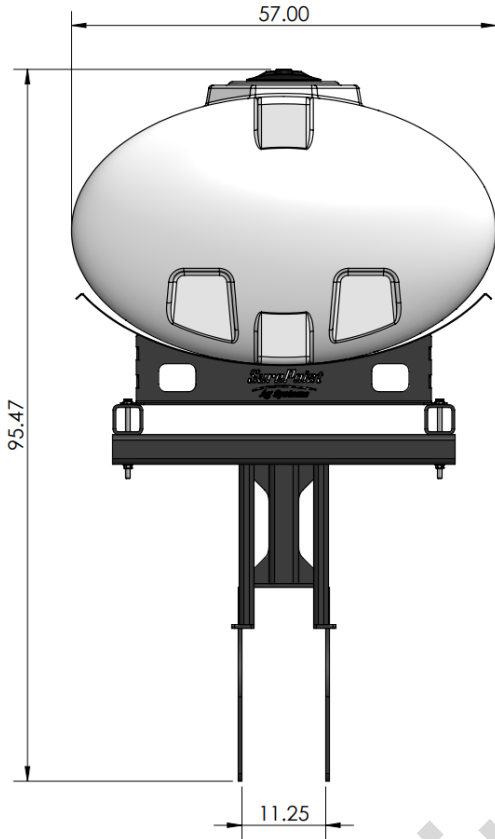


551-02-300450 - SPECIAL ORDER

CrustBuster 4750 (50') 400 Gal Elliptical Tank Kit for Drill without Markers (MY23 and Older)



Instruction Sheet: 396-4002Y1



Part Number	Description
727-01-HE0400-57-W	Elliptical Tank - 400 Gallon - White
421-1333A2-BK	400 Gallon Elliptical Cradle
451-3945Y1-BK	Front Tank Stand - CrustBuster 4750
451-3949Y1-BK	Rear Tank Stand - CrustBuster 4750
451-3954Y1-BK	Span Support Beam - 4" x 4" x 3/8"

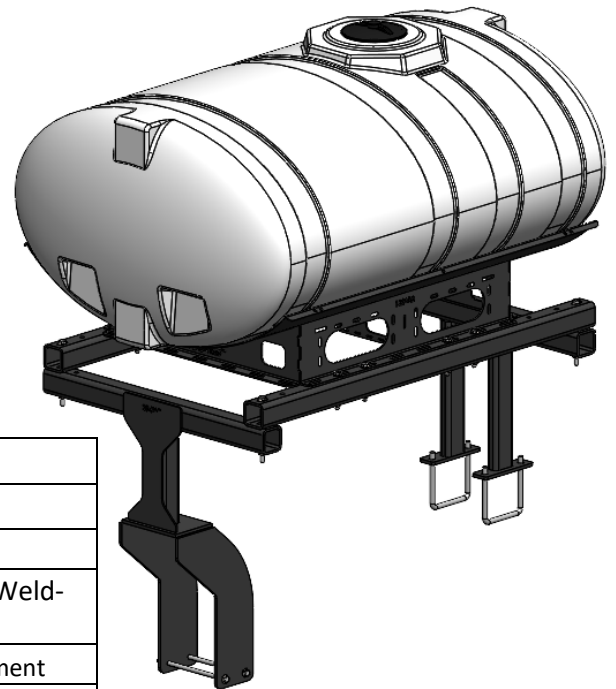
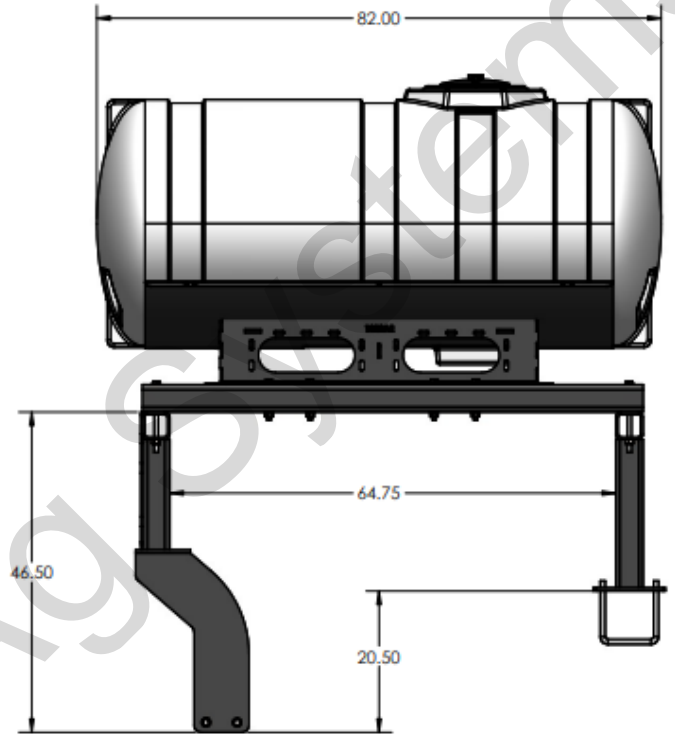
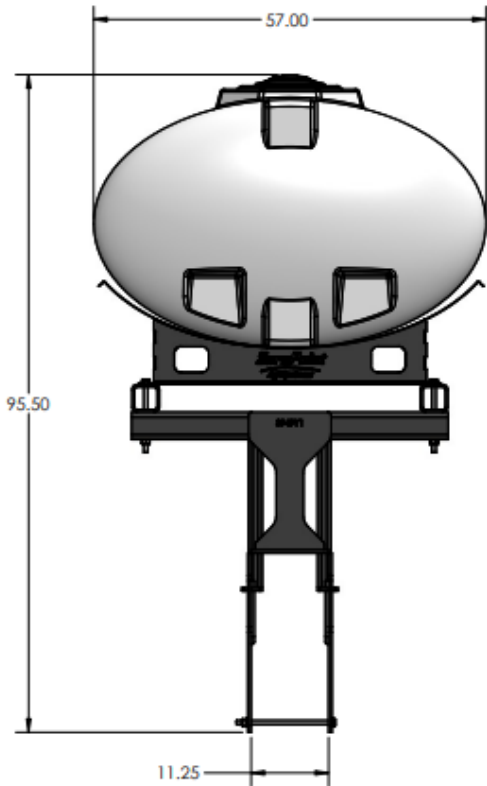
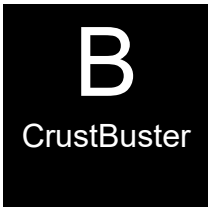
*Kit includes mounting hardware and U-Bolts



551-02-300500

CrustBuster 4750 Drill w/o markers - 500 Gal Elliptical Tank (MY23 and Older) - Special Order

Instruction Sheet: 396-4002Y1



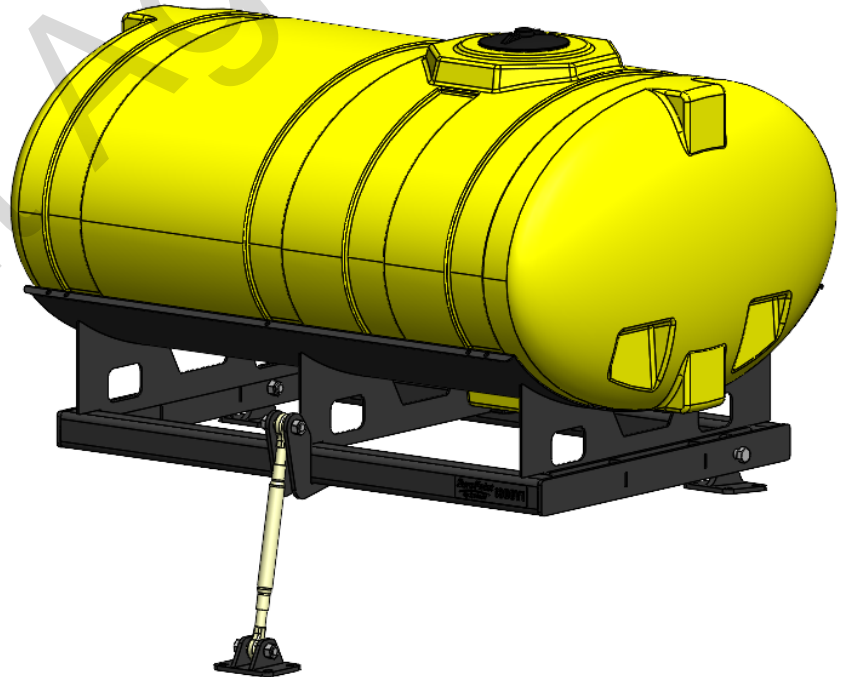
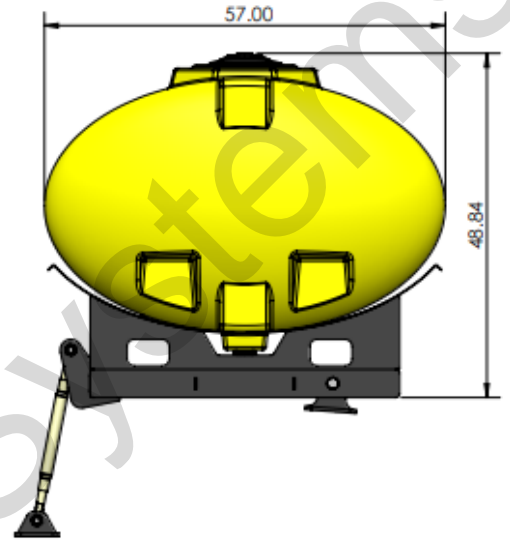
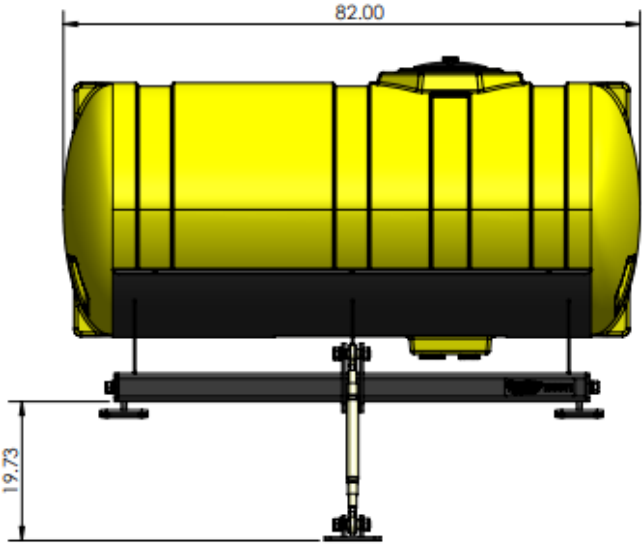
Part Number	Description
727-01-HE0500-57-OS-W	Elliptical Tank - 500 Gal - White - Offset Sump
421-1329A2 -BK	500 Gallon Elliptical Cradle
451-3945Y1-BK	Front Tank Stand - CrustBuster 4750 (50') Drill - Weldment
451-3949Y1-BK	Rear Tank Stand - Crustbuster 4750 (50') Drill - Weldment
451-3954Y1-BK	Span Support Beam - 4x4x3/8" Square Tube

*Kit includes mounting hardware and U-Bolts



551-03-100500

John Deere 1990 Front Hitch Mount 500 Gal Tank, Bracket, and Hardware Instruction Sheet: 396-2622Y1



Part Number	Description
727-01-HE0500-57-OS-Y	Elliptical Tank - 500 Gallon - Yellow
455-1300Y1 -BK	Front Mount 500 Gal Tank Cradle
455-1309A1 -BK	Top Link Lower Mount
455-1301A1 -Bk	Ball Mount
399-TL173	1" BORE SWIVEL BALL

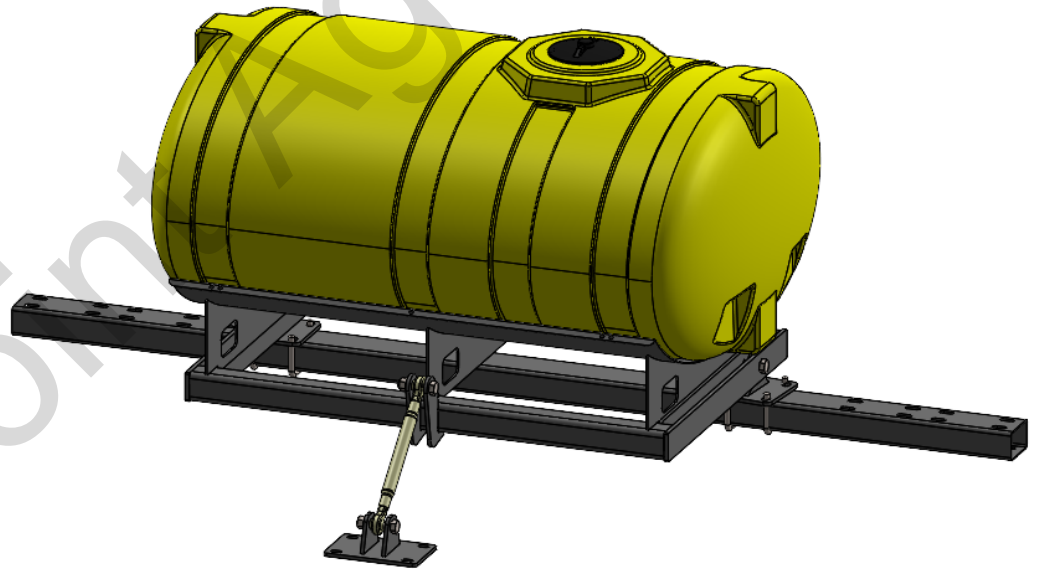
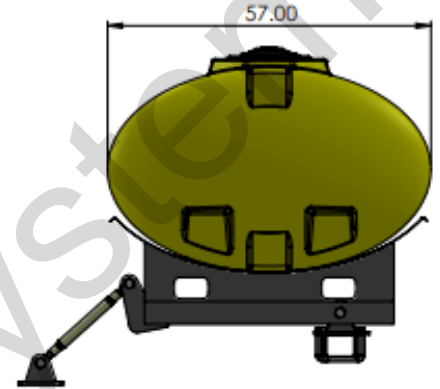
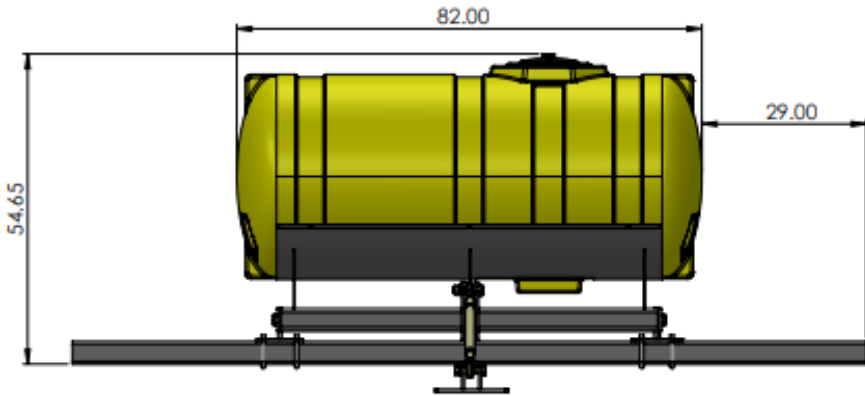
*Kit includes mounting hardware and U-Bolts



551-03-200100

John Deere N540C/N542C Series Front Hitch Mount 500 Gal Tank

Instruction Sheet: 396-4657Y1



Part Number	Description
727-01-HE0500-57-OS-Y	Elliptical Tank - 500 Gallon - Yellow
455-1300Y1 -BK	Front Mount 500 Gal Tank Cradle
455-4294Y1 -BK	N530-540C Tank Saddle Mounting Base
455-4291Y1 -BK	N530-540C Tank Saddle Pivoting Hitch Mount
455-4293Y1 -BK	Ball Mount
399-TL173	1" BORE SWIVEL BALL

*Kit includes mounting hardware and U-Bolts

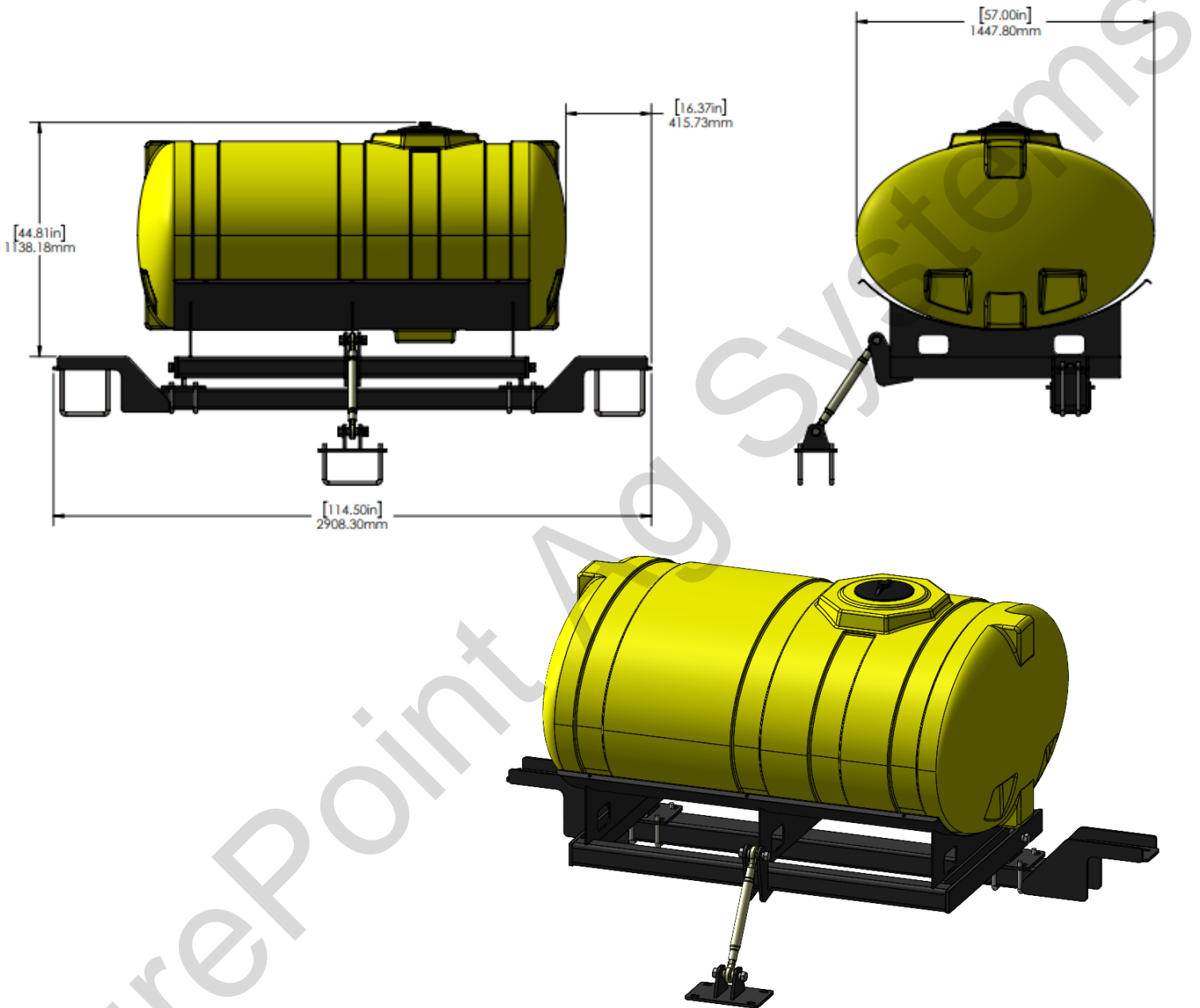


551-03-200150

John Deere N530C/N536C 500 Gallon Tank, Bracket, and Hardware

C

John Deere



Part Number	Description
727-01-HE0500-57-OS-Y	Elliptical Tank - 500 Gallon - Yellow
455-1300Y1 -BK	Front Mount 500 Gal Tank Cradle
455-4500Y1 -BK	JD N530C - Rear Horizontal Saddle Support Beam
455-4291Y1 -BK	N530-540C Tank Saddle Pivoting Hitch Mount - Pivot
455-4293Y1 -BK	Ball Mount
399-TL173	1" BORE SWIVEL BALL

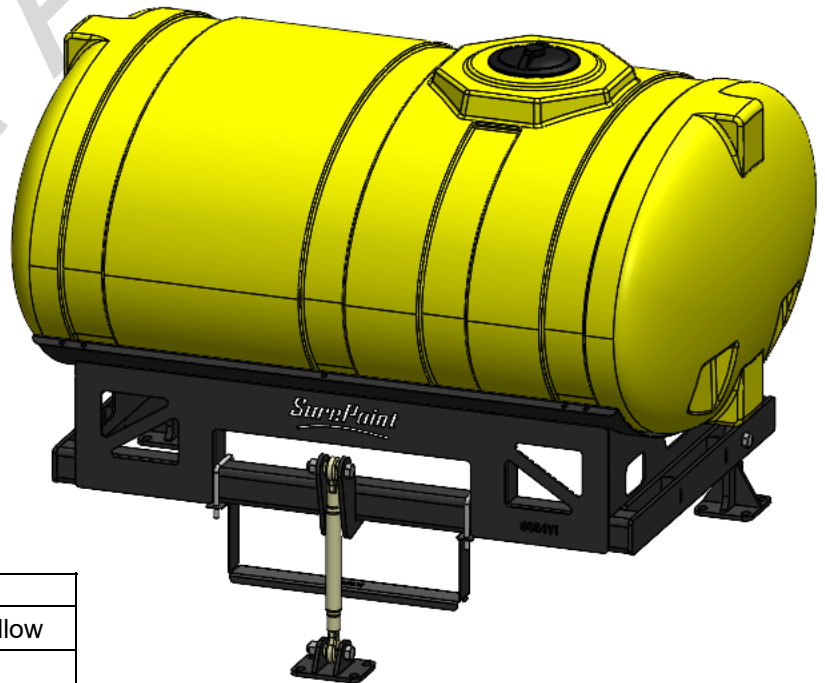
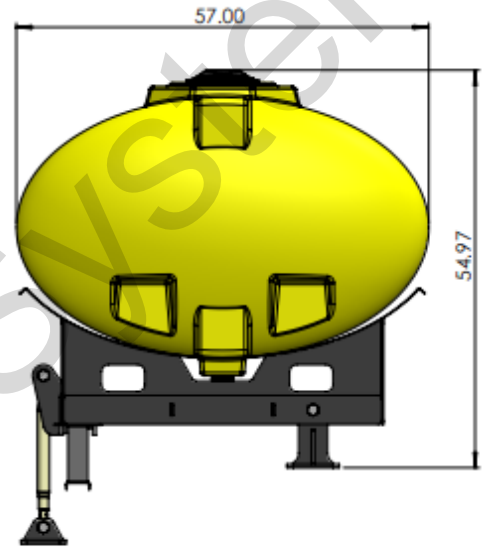
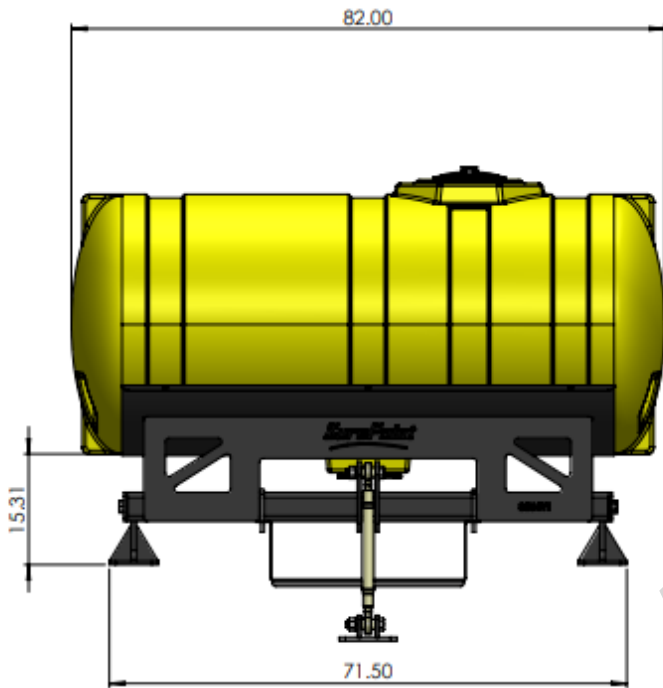
*Kit includes mounting hardware and U-Bolts



551-03-200200

John Deere N543F 500 Gallon Hitch Mount Tank Kit - No Dry Fertilizer (MY24 and Older)

Instruction Sheet: 396-6362Y1



Part Number	Description
727-01-HE0500-57-OS-Y	Elliptical Tank - 500 Gallon - Yellow
455-6354Y1 -BK	500 GALLON CRADLE
455-6359Y1 -BK	TANK PIVOT
455-1309A1 -BK	Top Link Lower Mount
455-6363Y1 -BK	SEED HOSE SUPPORT
399-TL173	1" BORE SWIVEL BALL

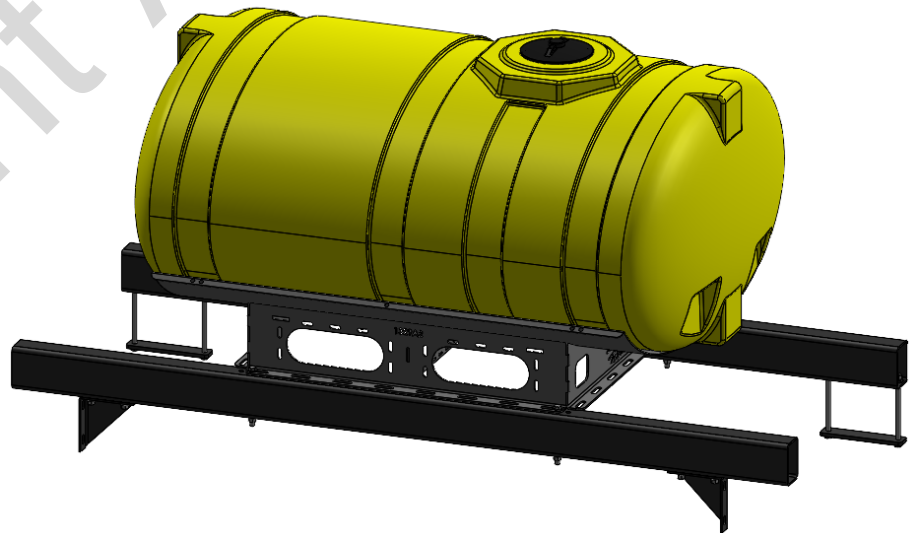
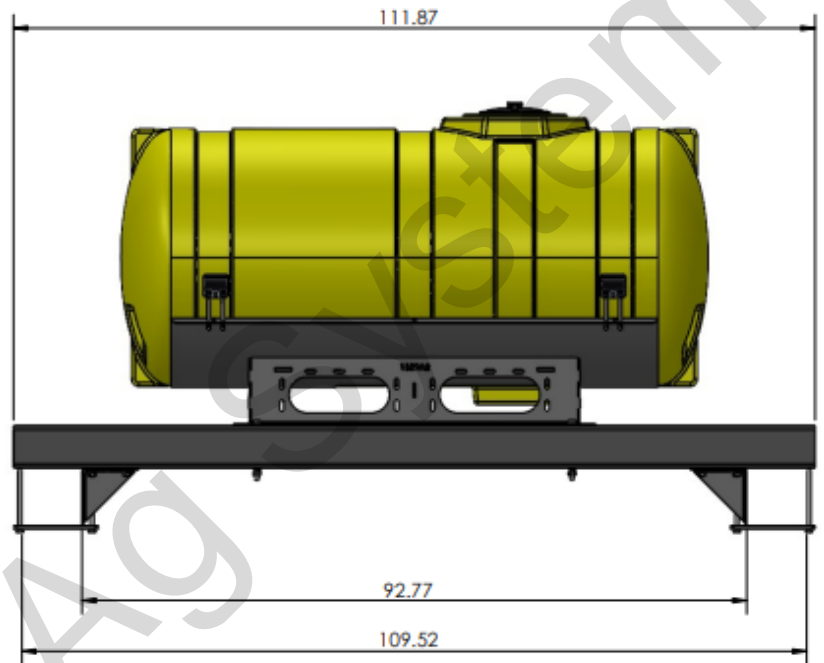
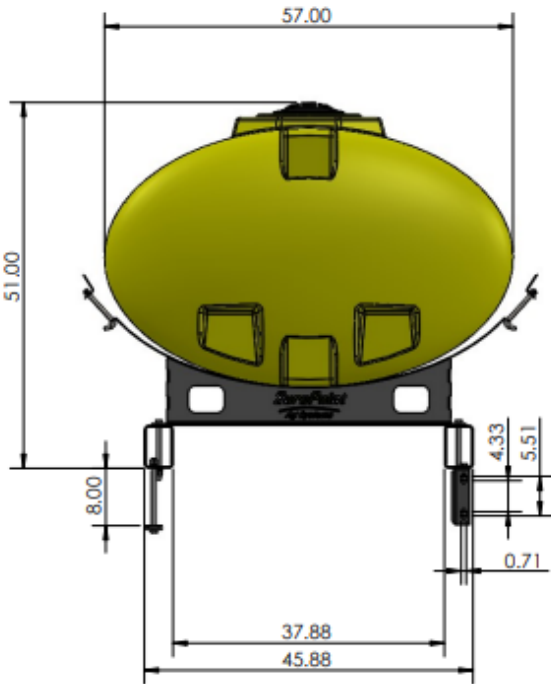
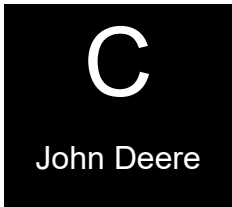
*Kit includes mounting hardware and U-Bolts



551-03-200500 - SPECIAL ORDER

John Deere 1890/1990 Rear Mount 500 Gal Tank, Bracket, and Hardware

Instruction Sheet: 396-7503Y1



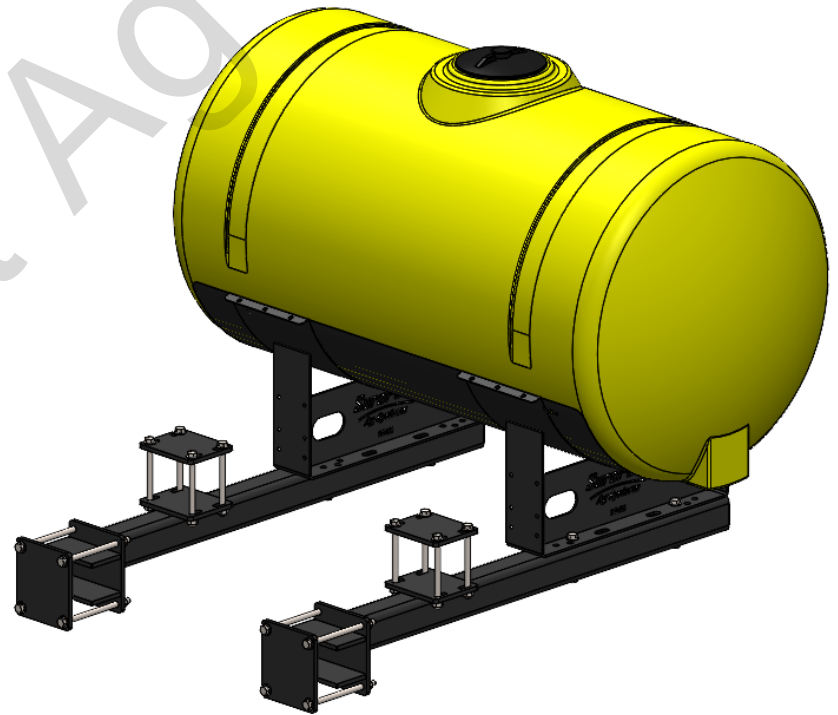
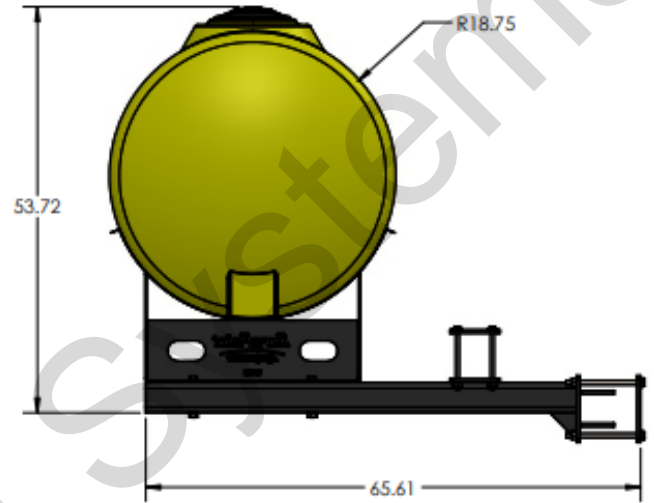
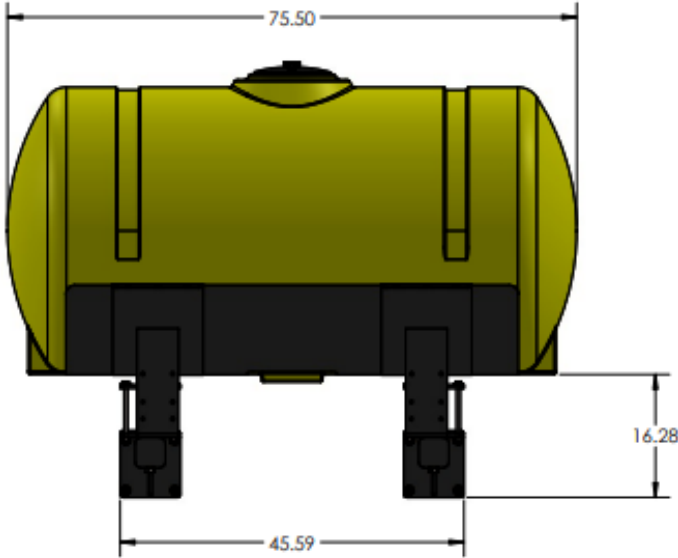
Part Number	Description
727-01-HE0500-57-OS-Y	Elliptical Tank - 500 Gallon - Yellow
421-1329A2 -BK	500 Gallon Elliptical Cradle
455-1071A1 -BK	Cross Tube
455-1072A1 -BK	Rear Tube Bracket
455-1073A1 -BK	Front Clamp Bar

*Kit includes mounting hardware and U-Bolts



551-03-300500

John Deere 750, 1560, 1590 Rear Mount 300 Gal Tank, Bracket and Hardware Instruction Sheet:



Part Number	Description
727-02-HZ0300-38-Y	Horizontal Tank - 300 Gal - Yellow 38" x 76"
420-1104A1 -BK	38" Tank Saddle
420-1106A1 -BK	38" 300 Gallon Full Support Sheet
455-1943A1 -BK	JD 750/1560/1590 Drill Tank Bracket WA
455-1945A1 -BK	JD 750/1560/1590 Front Bolt Plate
455-1948A1 -BK	JD 750/1560/1590 Top Bolt Plate

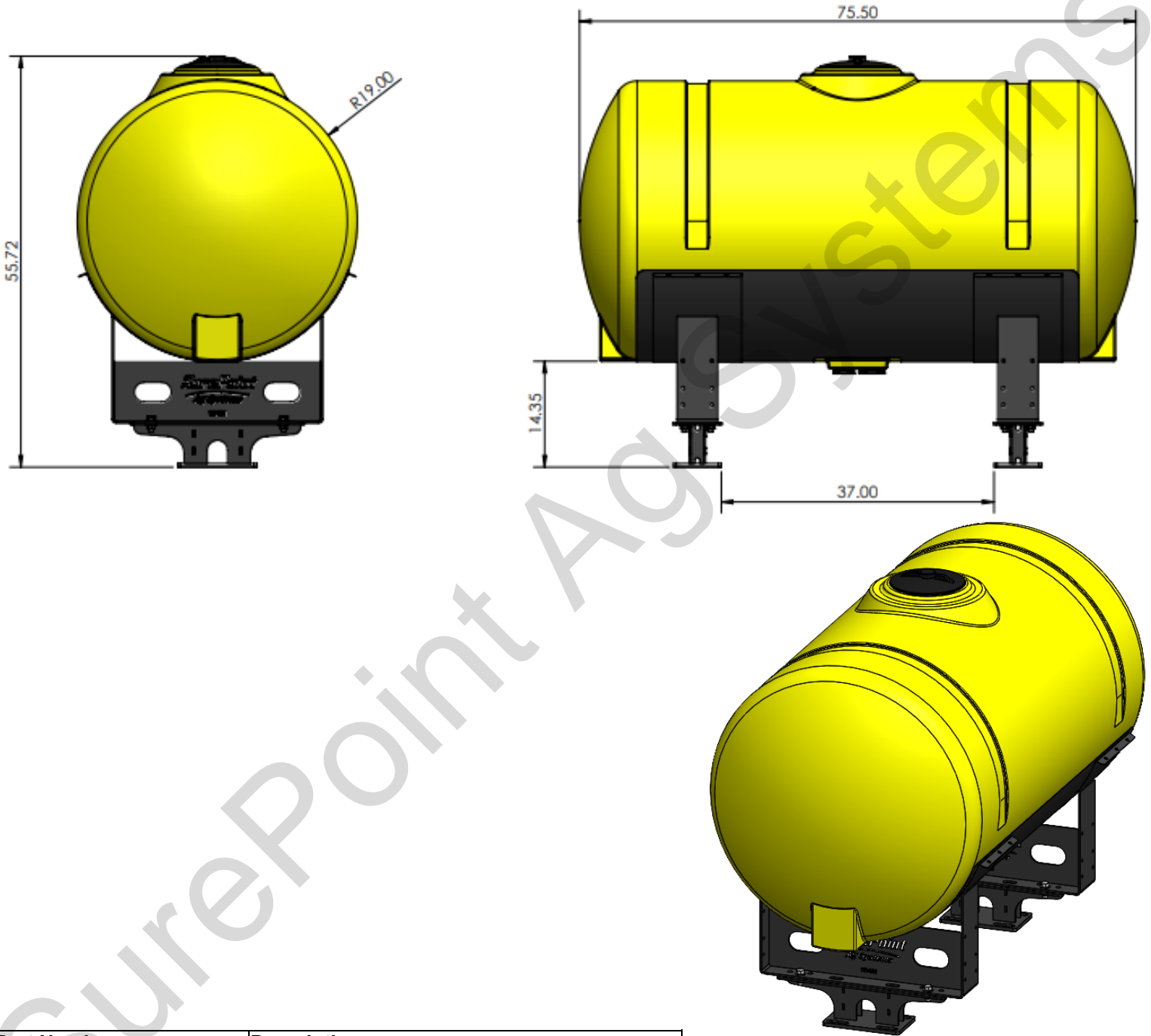
*Kit includes mounting hardware and U-Bolts



551-03-500600

John Deere 455 Drill Tank Kit - 300 gal tank bracket and hardware

Instruction Sheet: 396-001610



Part Number	Description
727-02-HZ0300-38-Y	Horizontal Tank - 300 Gal - Yellow 38" x 76"
420-1104A1 -BK	38" Tank Saddle
420-1106A1 -BK	38" 300 Gallon Full Support Sheet
420-2815Y1 -BK	Pedestal Support for Tank (Accelerator Tank (55-155), 200 and 300 Gallon Saddles)

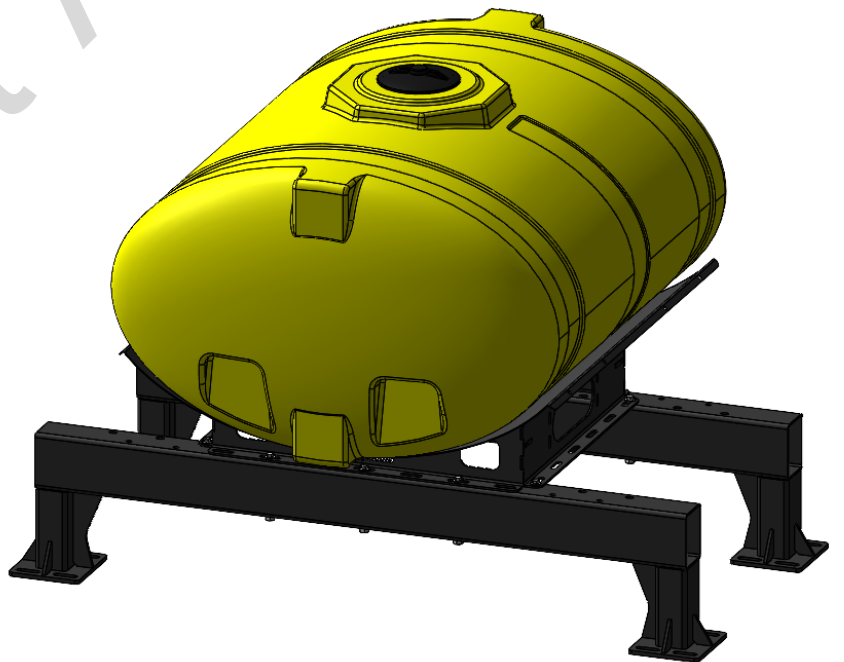
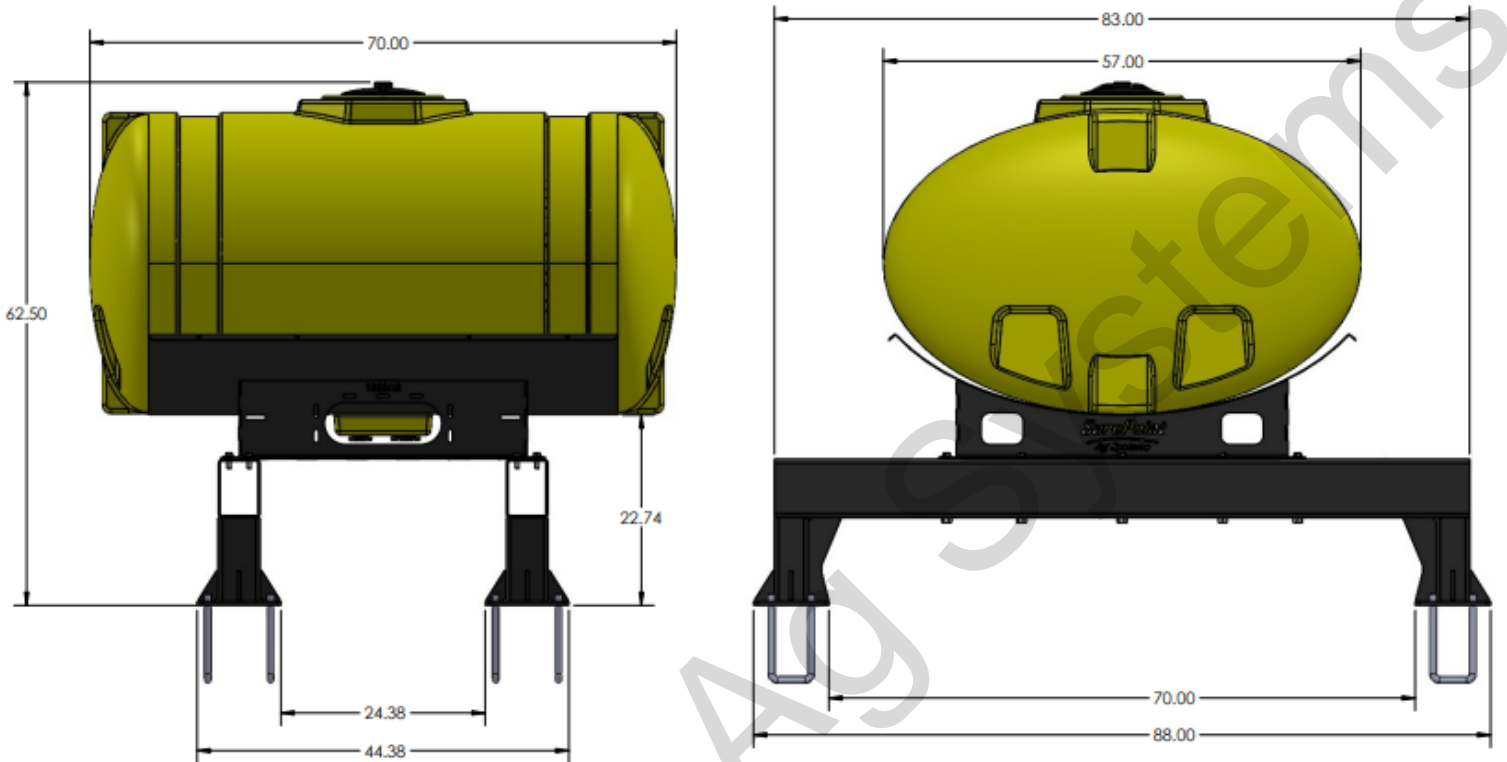
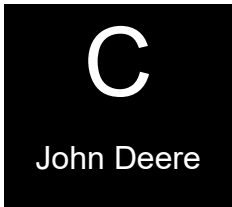
*Kit includes mounting hardware and U-Bolts



528-01-450150

JD 2410C 400 Gallon Elliptical Tank Kit - incl. tank, bracket & hardware

Instruction Sheet: 396-2894Y1



Part Number	Description
727-01-HE0400-57-Y	Elliptical Tank - 400 Gallon - Yellow
421-1333A2	400 Gallon Elliptical Cradle
420-2835Y1	JD 2410C - 400/500 Gal Tank Stand

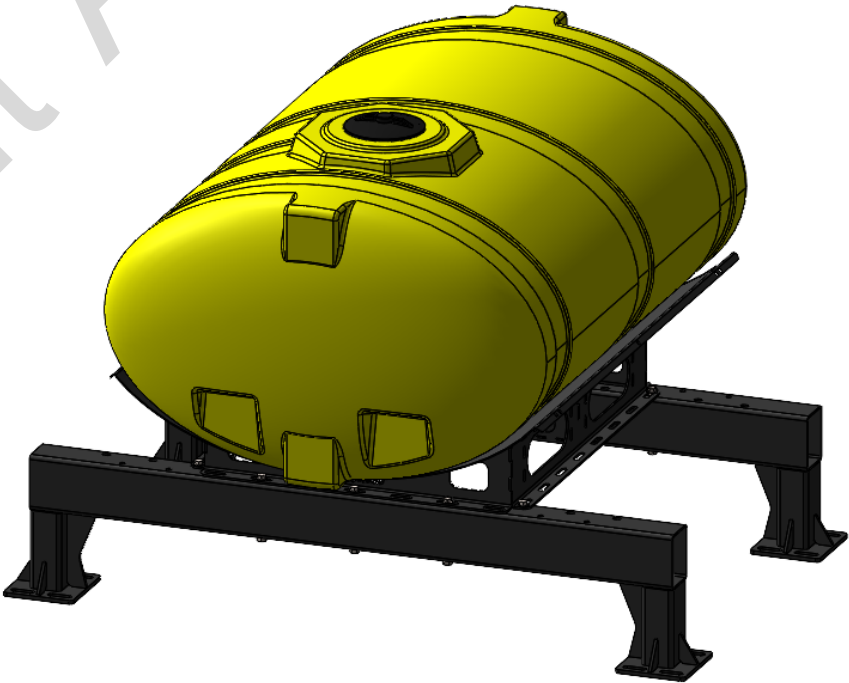
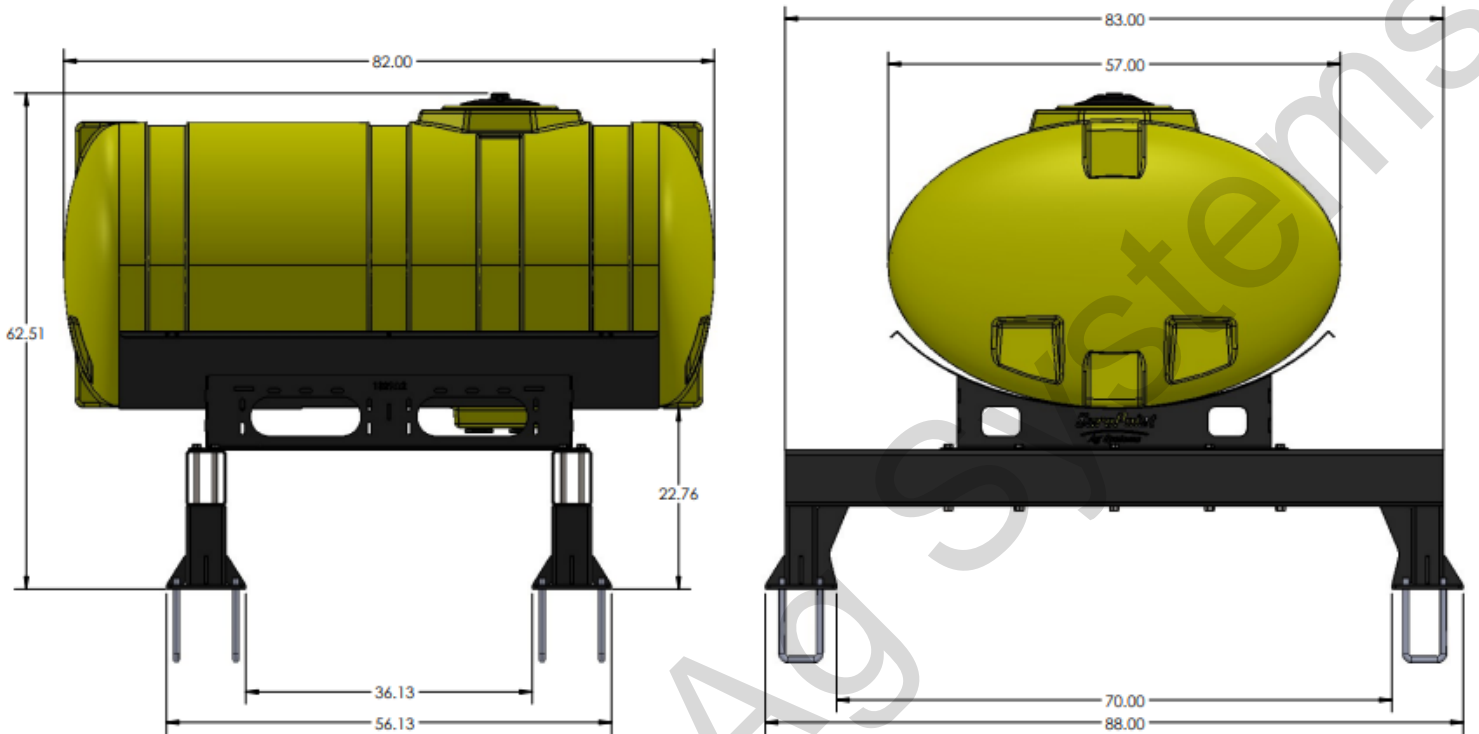
*Kit includes mounting hardware and U-Bolts



528-01-450160

JD 2410C 500 Gallon Elliptical Tank Kit - incl. tank, bracket & hardware

Instruction Sheet: 396-2894Y1



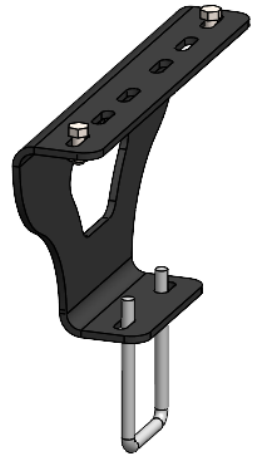
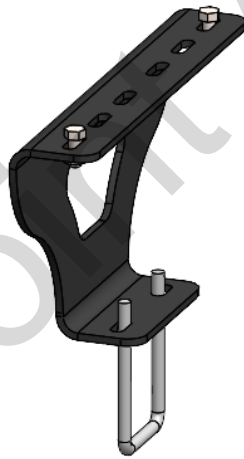
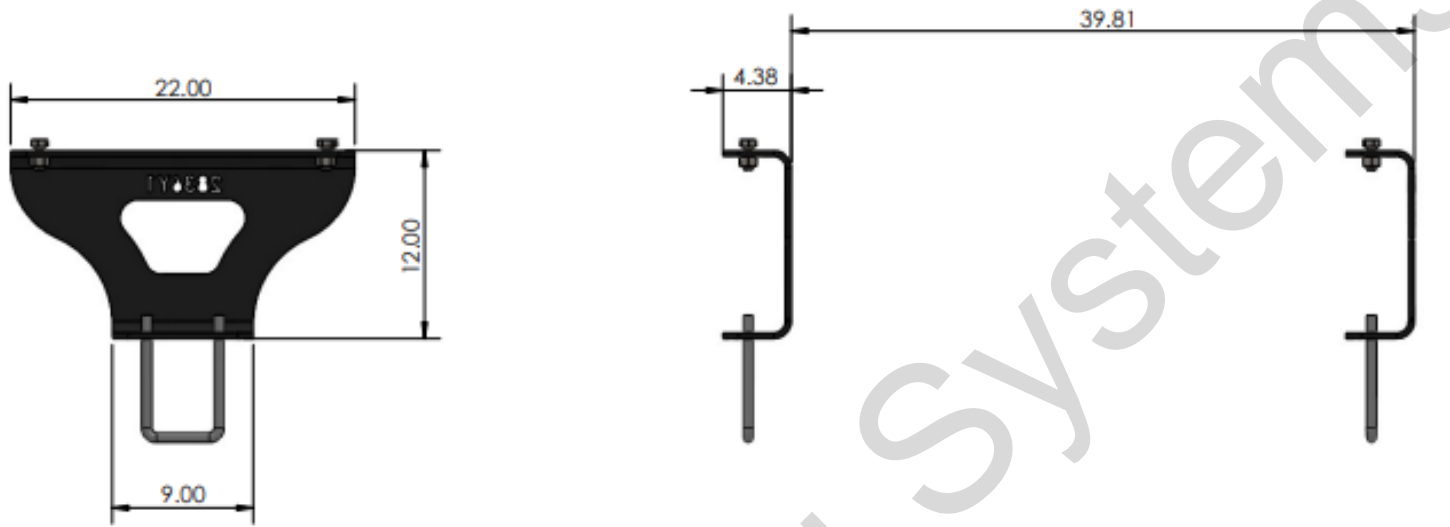
Part Number	Description
727-01-HE0500-57-OS-Y	Elliptical Tank - 500 Gallon - Yellow
421-1329A2	500 Gallon Elliptical Cradle
420-2835Y1	JD 2410C - 400/500 Gal Tank Stand

*Kit includes mounting hardware and U-Bolts



528-01-450170

JD 2410C 55 Gal Accelerator tank 12" stand kit - must add Accelerator Tank Kit Instruction Sheet: 396-2896Y1



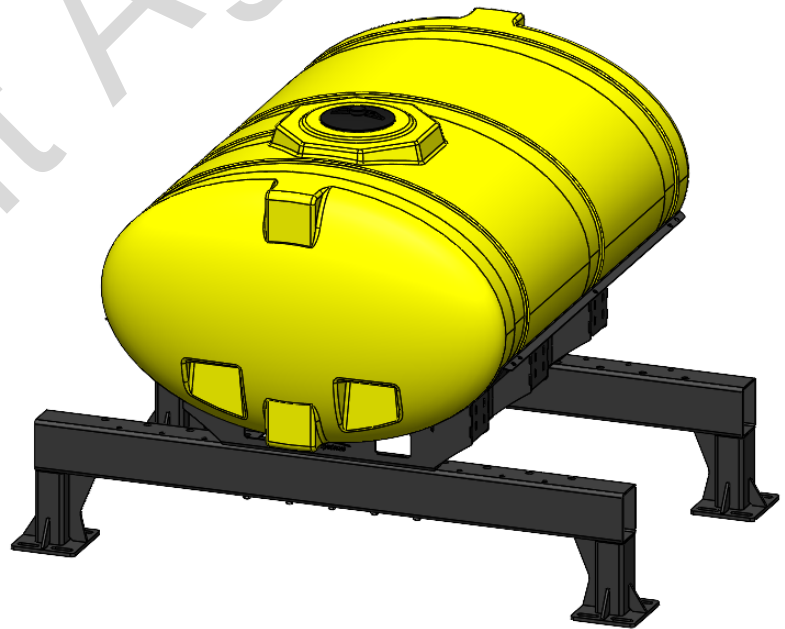
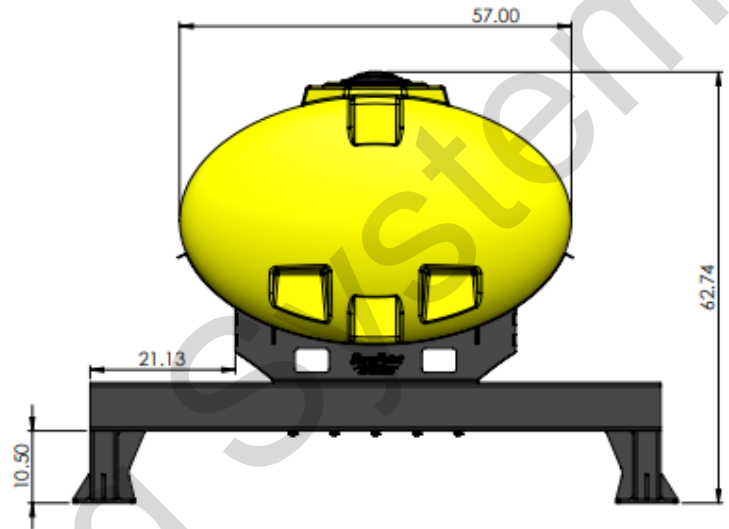
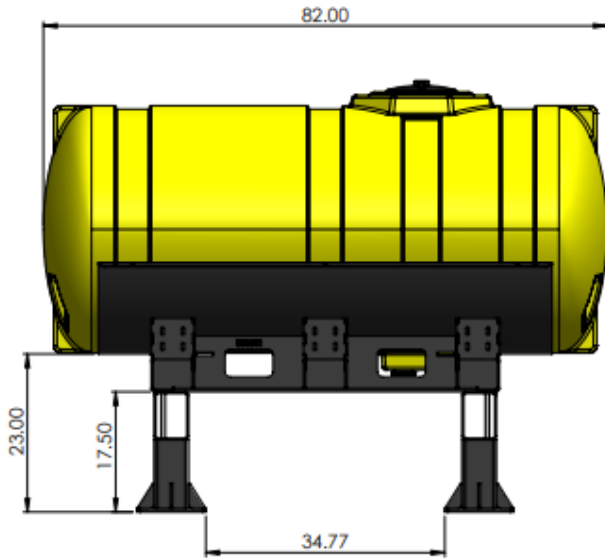
Part Number	Description
420-2836Y1 -BK	Accelerator Tank Stand (12" Tall)

*Kit includes mounting hardware and U-Bolts



528-01-455160

JD 2410C 500 Gallon Elliptical Tank Kit - incl Tank, Bracket, & Hardware Instruction Sheet: 396-2894Y1



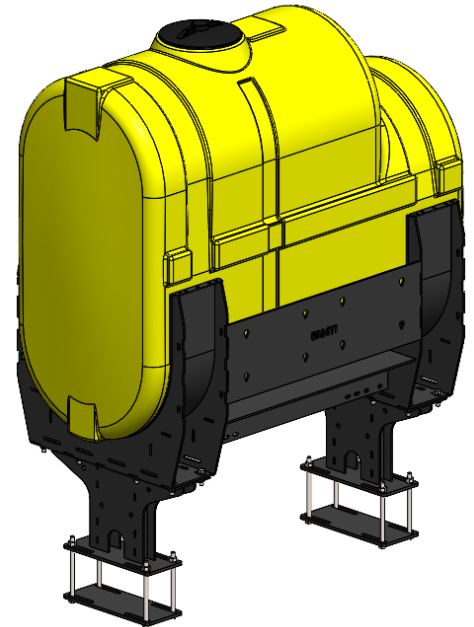
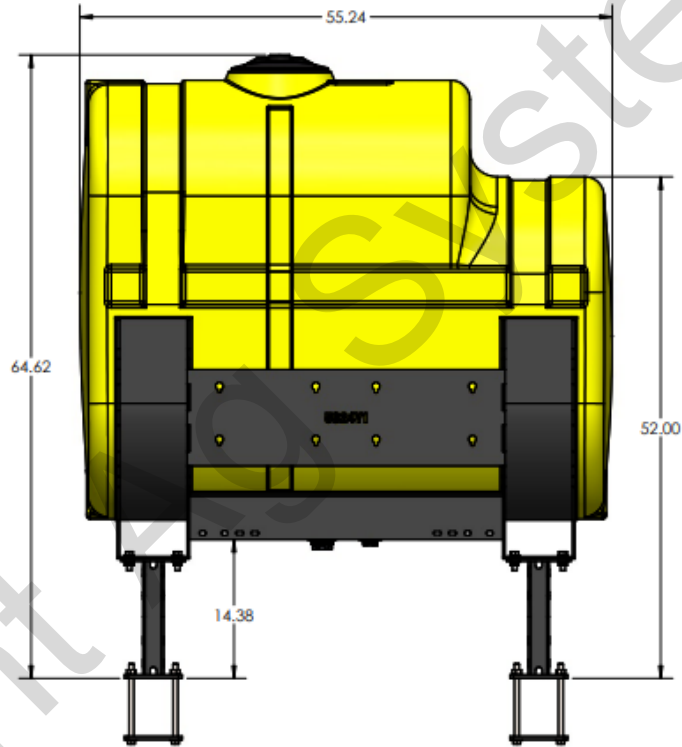
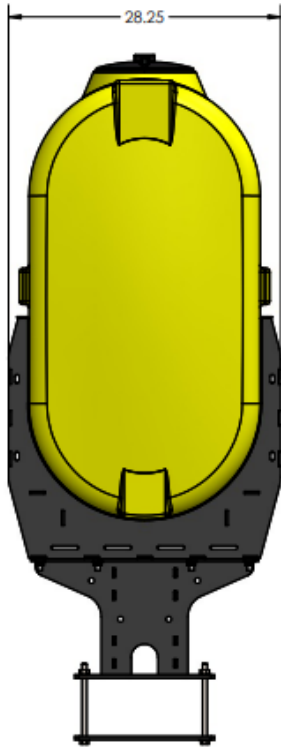
Part Number	Description
727-01-HE0500-57-OS-Y	Elliptical Tank - 500 Gallon - Yellow
421-5638Y1 - BK	500 Gallon Elliptical Cradle - New Design
420-2835Y1 - BK	JD 2410C - 400/500 Gal Tank Stand

*Kit includes mounting hardware and U-Bolts



528-01-800100

John Deere 2430C Hitch Mounted Tank - 200 Gal Cutaway Hitch Mount Tank Kit Instruction Sheet: 396-5992Y1



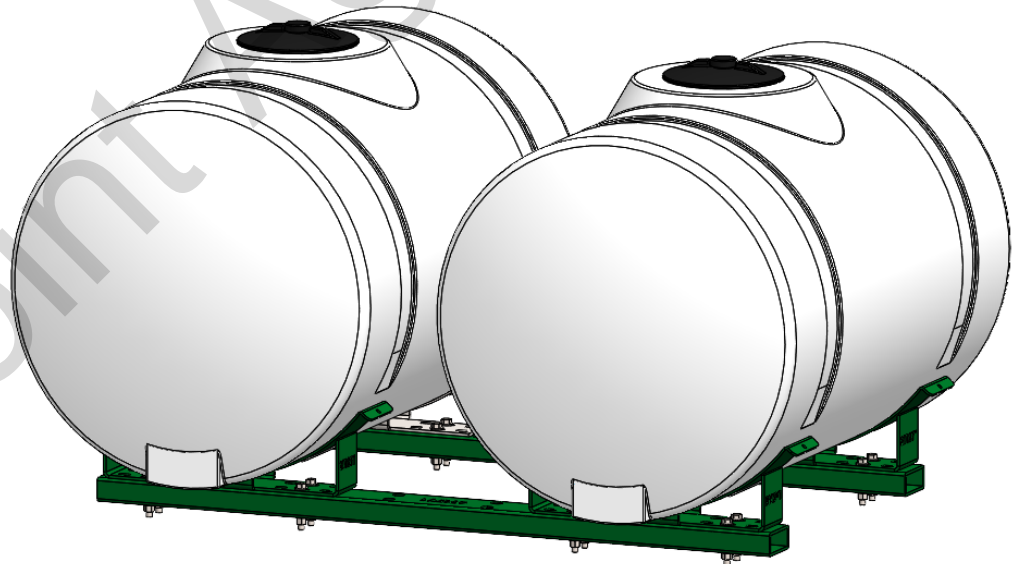
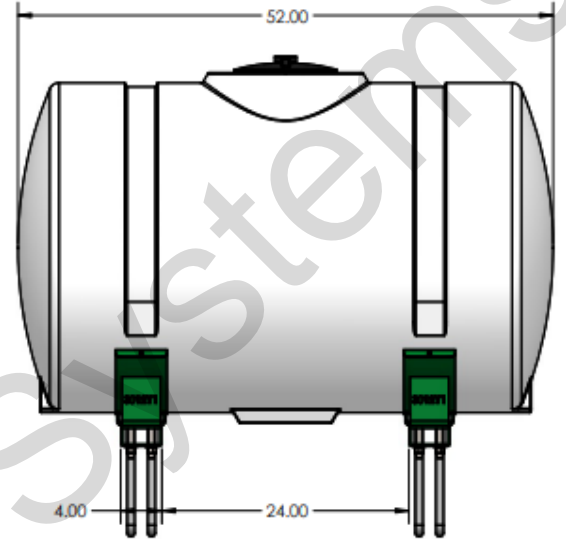
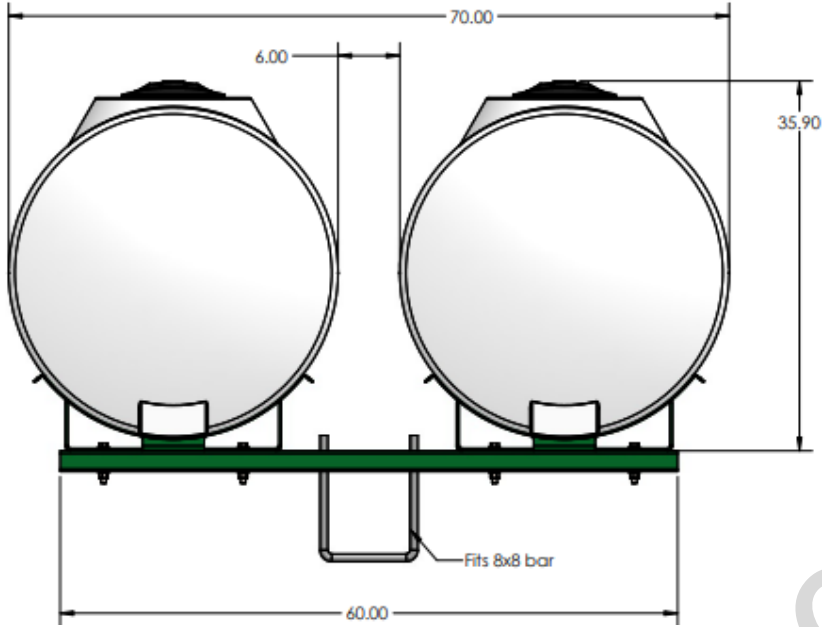
Part Number	Description
727-08-CAW0200-24-Y	Side mount Cutaway Tank - 200 Gal Yellow
400-5924Y1 -BK	HITCH MOUNTED 200 GAL CUTAWAY TANK CRADLE
400-5929Y1	TANK PEDESTAL (6" - 12" HITCH)
400-5928Y1	3/8" PLATE, BACKER PLATE, TANK PEDESTAL (6" - 12"

*Kit includes mounting hardware and U-Bolts



551-04-100150

Great Plains CPH 15 - Dual 150 Gallon Tank Kit



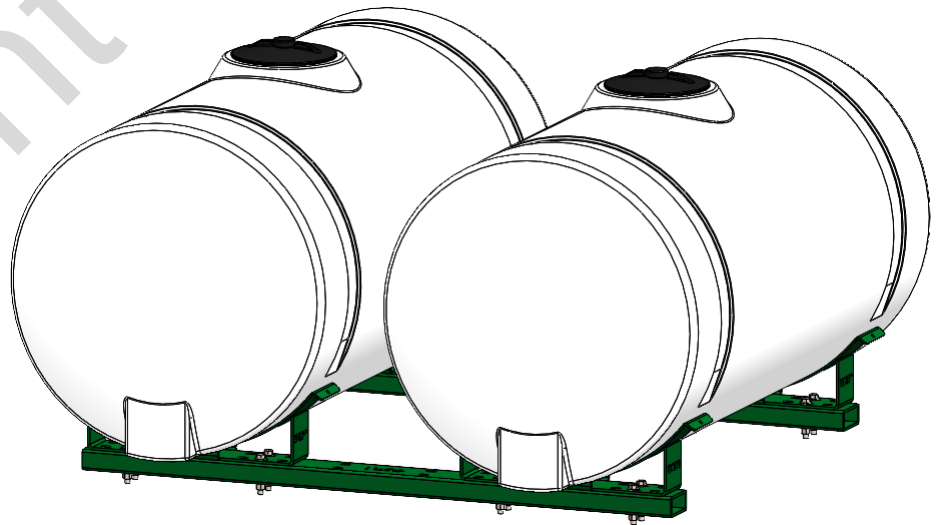
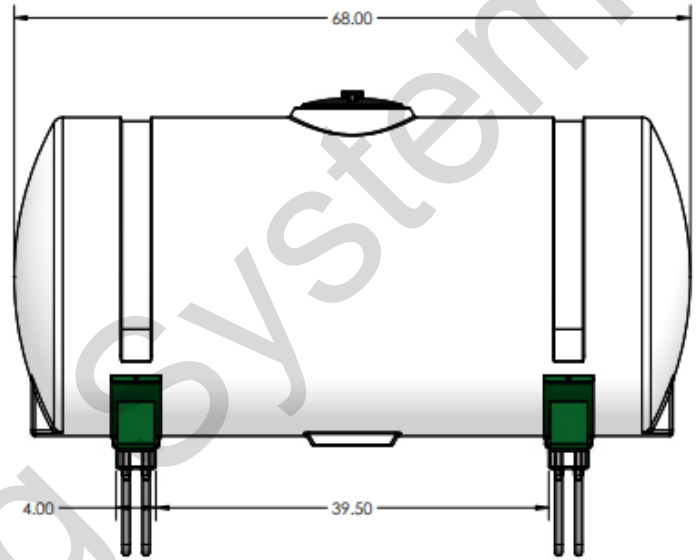
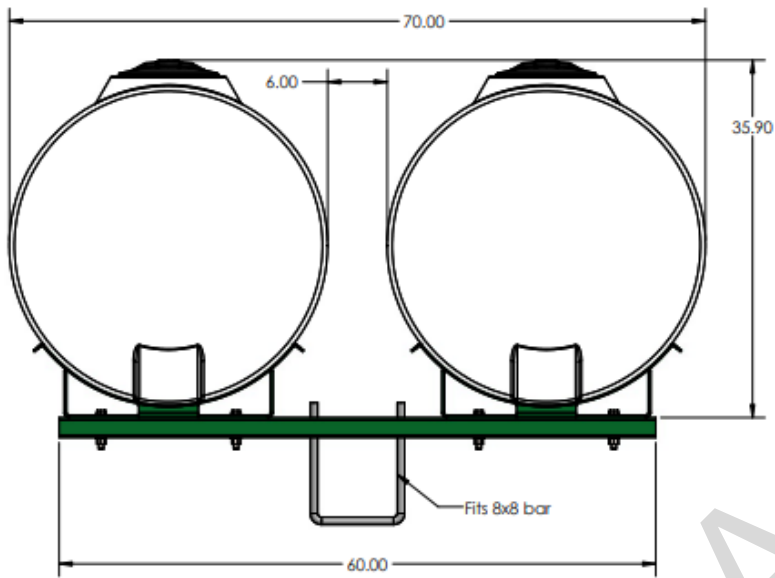
Part Number	Description
727-02-HZ0150-32-W	Horizontal Tank - 150 Gal - White - 32" x 52"
420-3012Y1	32"Ø Tank Saddle - WA
449-4127Y1	Great Plains CPH 15 Tank Mount Support Beam

*Kit includes mounting hardware and U-Bolts



551-04-100200

Great Plains CPH 15 - Dual 200 Gallon Tank Kit



Part Number	Description
727-02-HZ0200-32-W	Horizontal Tank - 200 Gal - White - 32" x 68"
420-3012Y1	32"Ø Tank Saddle - WA
449-4127Y1	Great Plains CPH 15 Tank Mount Support Beam

*Kit includes mounting hardware and U-Bolts

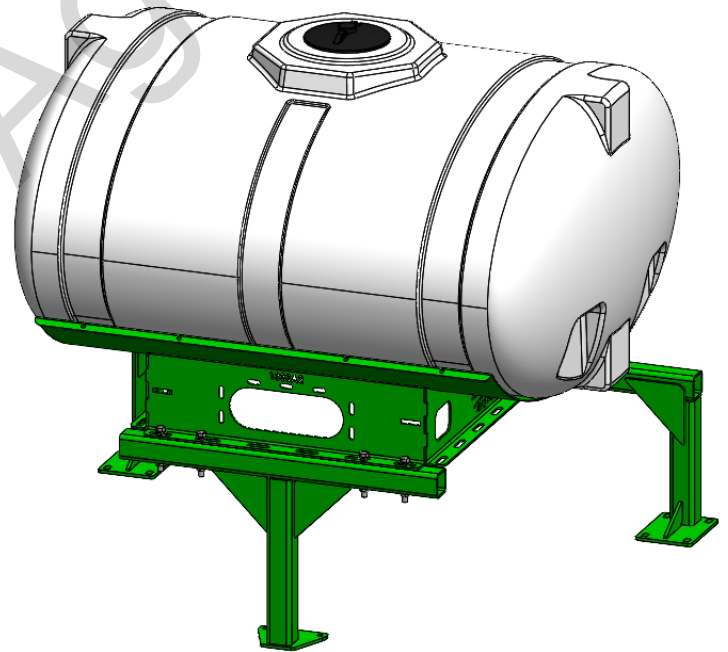
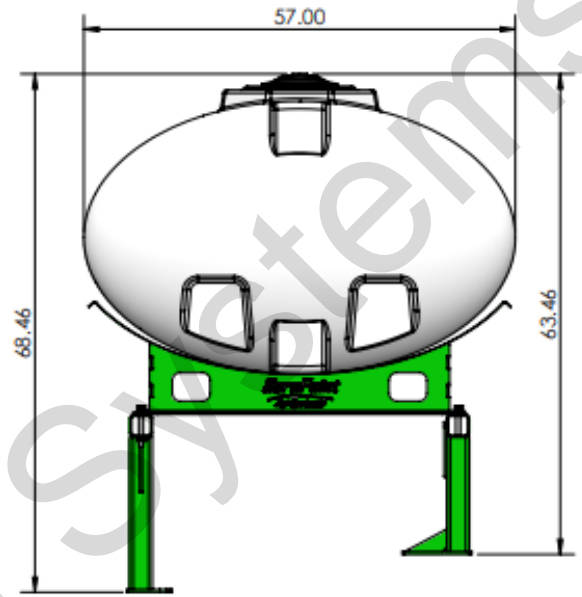
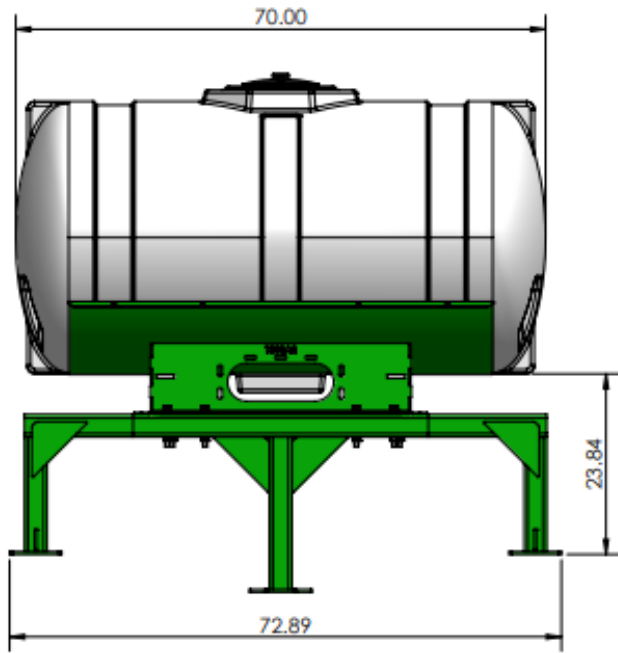


551-04-100500 - SPECIAL ORDER

Drill Kit - Great Plains 3S300 (30') with

400 Gallon Elliptical Tank

Instruction Sheet: 396-001360



Part Number	Description
727-01-HE0400-57-W	Elliptical Tank - 400 Gallon - White
421-1333A2	400 Gallon Elliptical Cradle
450-1969A1	GP 3S3000 Front Support WA
450-1058A1	Great Plains 30' / 40' Rear Bracket

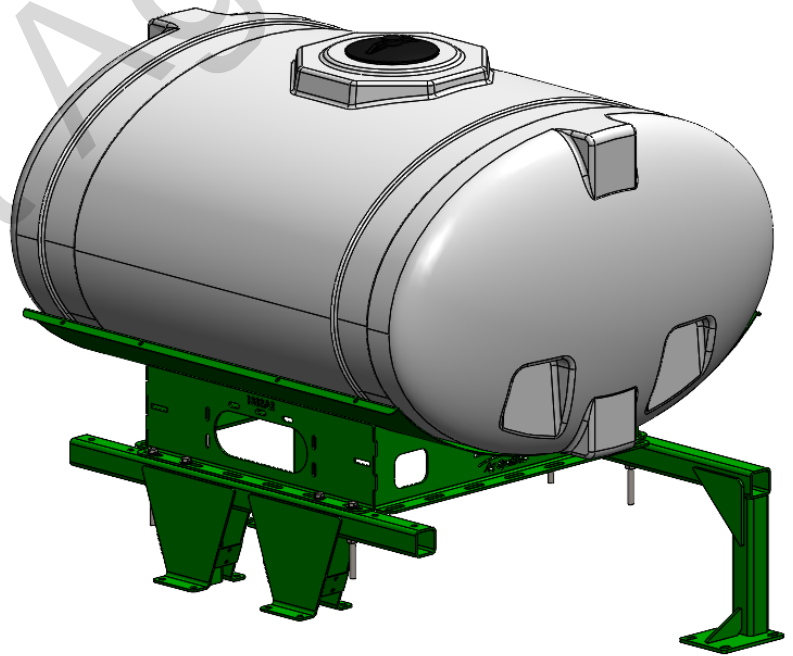
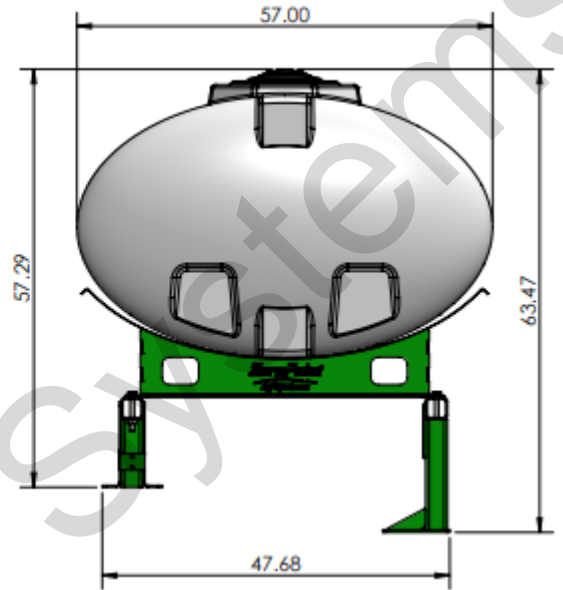
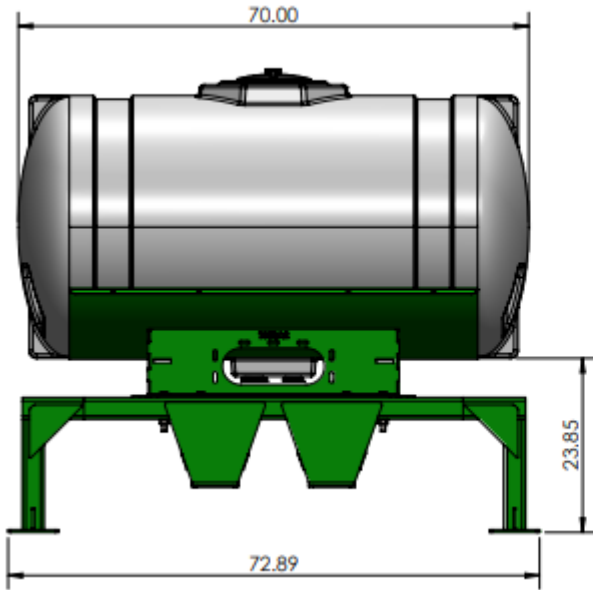
*Kit includes mounting hardware and U-Bolts



551-04-200500 - SPECIAL ORDER

Great Plains 3S4000 (40') with 400 Gallon Elliptical Tank Kit

Instruction Sheet: 396-001370



Part Number	Description
727-01-HE0400-57-W	Elliptical Tank - 400 Gallon - White
421-1333A2	400 Gallon Elliptical Cradle
450-1063A2	Great Plains 40' Front Bracket
450-1058A1	Great Plains 30' / 40' Rear Bracket

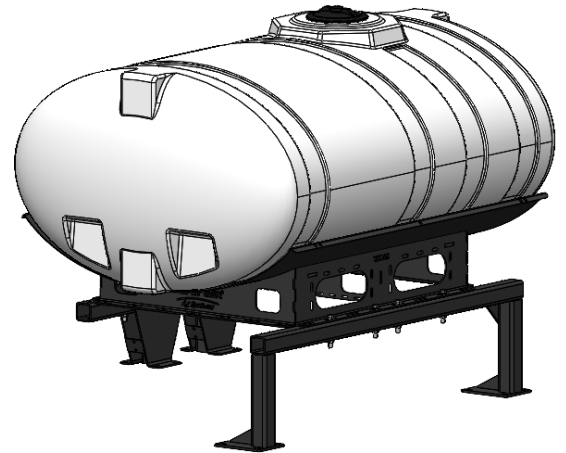
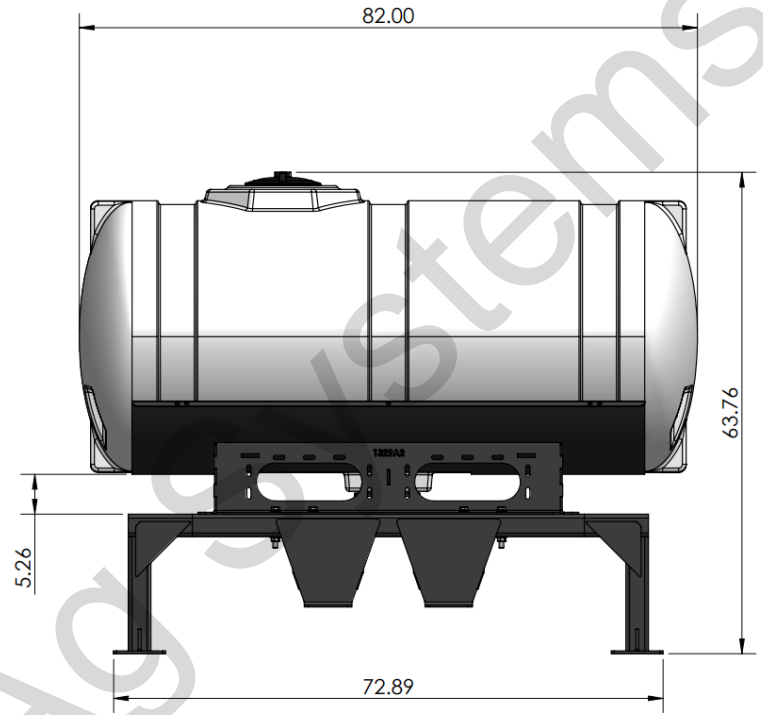
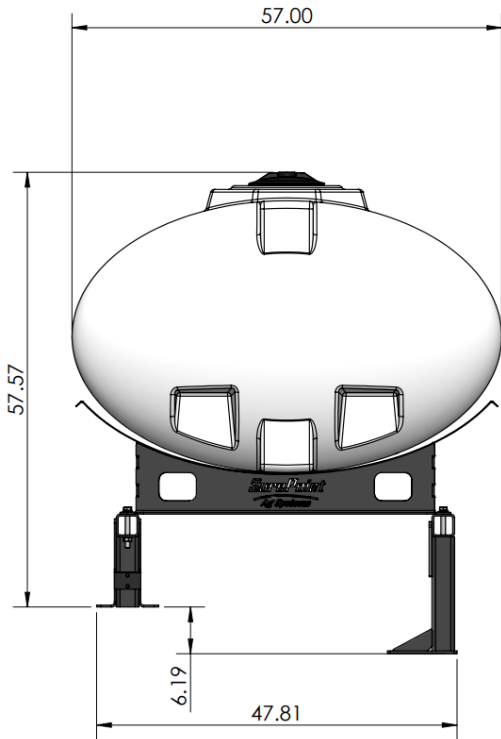
*Kit includes mounting hardware and U-Bolts



551-04-200600 - SPECIAL ORDER

Great Plains 3S4000 (40') with 500 Gallon Elliptical Tank Kit

Instruction Sheet: 396-001370



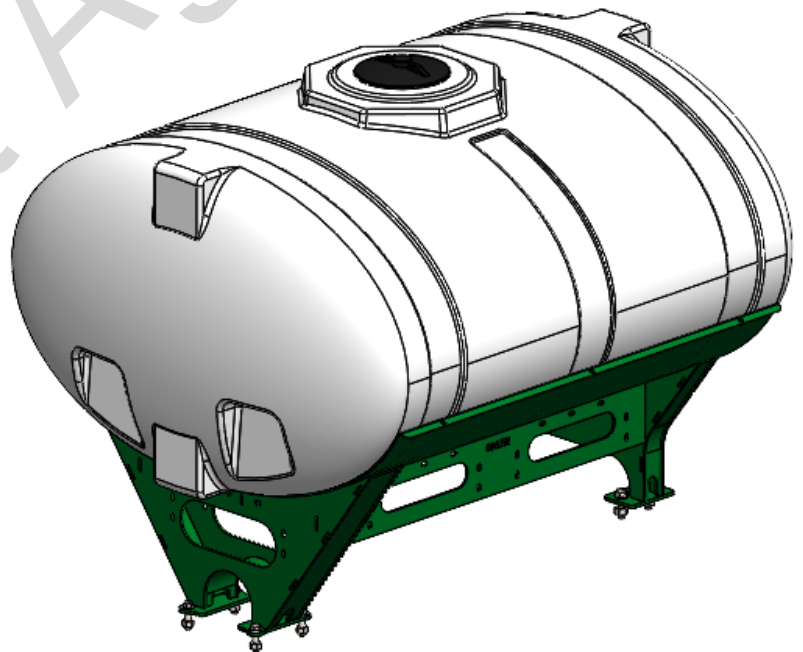
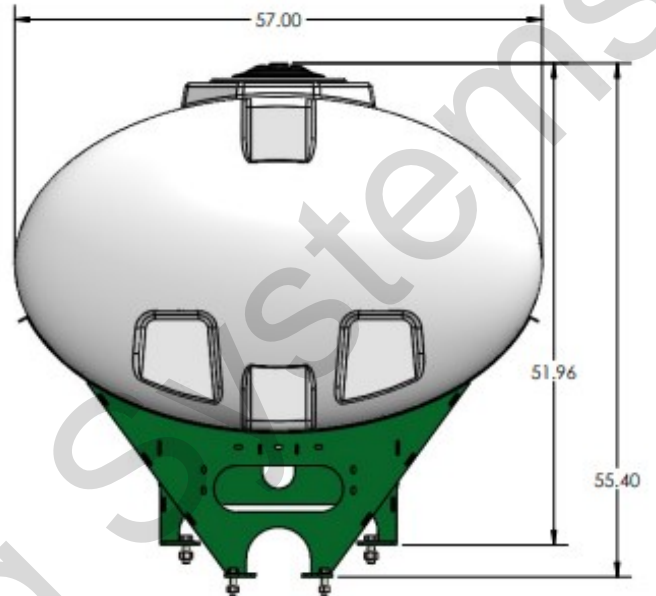
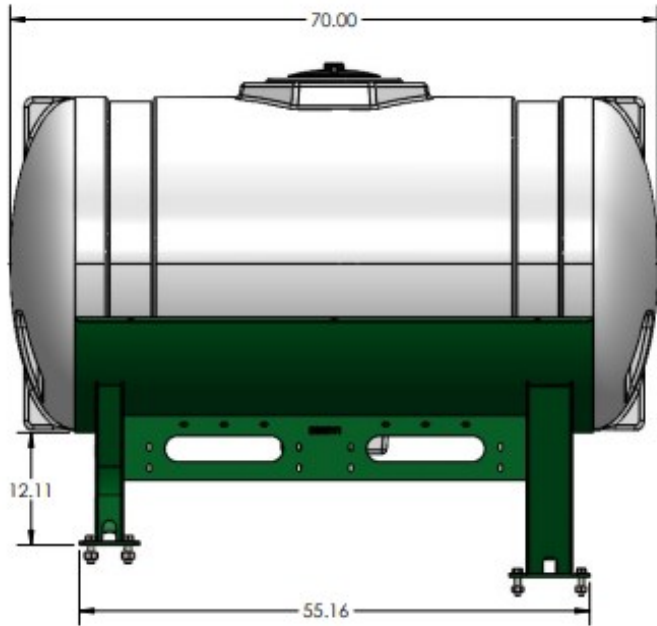
Part Number	Description
727-01-HE0500-57-CS-W	Elliptical Tank - 500 Gallon - White
421-1329A2-BK	500 Gallon Elliptical Cradle
450-1063A2-BK	Great Plains 40' Front Bracket
450-1058A1-BK	Great Plains 30' / 40' Rear Bracket

*Kit includes mounting hardware and U-Bolts



551-04-260400

Great Plains BD7600-26 (26') 400 Gallon Tank Kit - Includes Tank Instruction Sheet: 396-5097Y1



Part Number	Description
727-01-HE0400-57-W	Elliptical Tank - 400 Gallon - White
450-5093Y1	Great Plains BD7600 26 Foot 400 Gal Tank Bracket

*Kit includes mounting hardware and U-Bolts

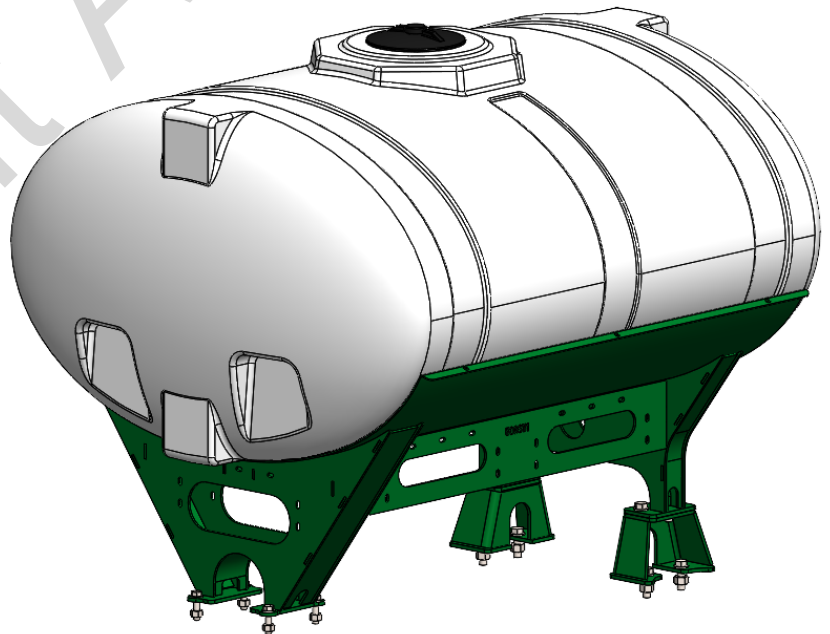
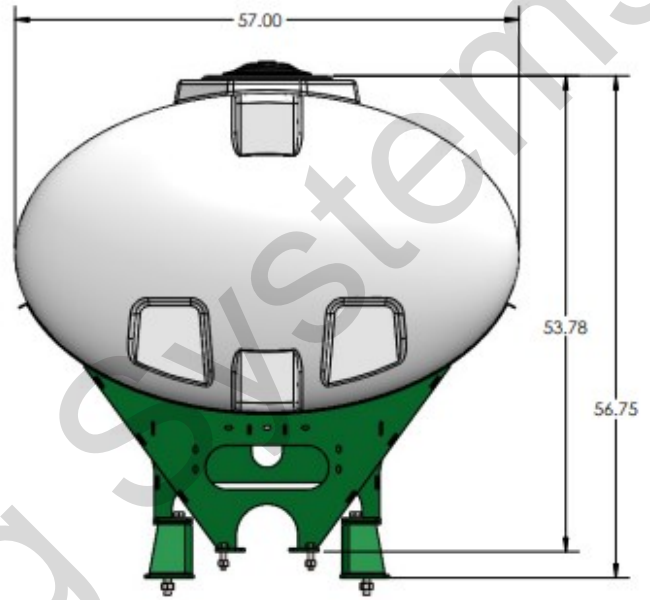
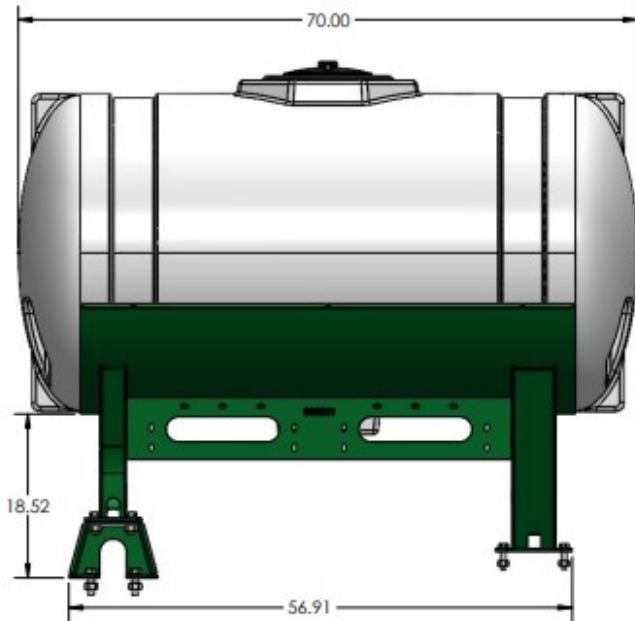


551-04-300400

Great Plains BD7600-30 (30') 400

Gallon Tank Kit - Includes Tank Instruction

Sheet: 396-5098Y1



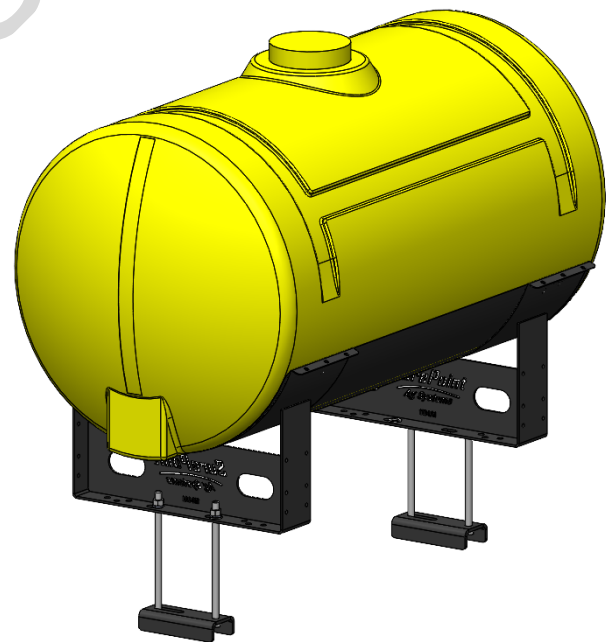
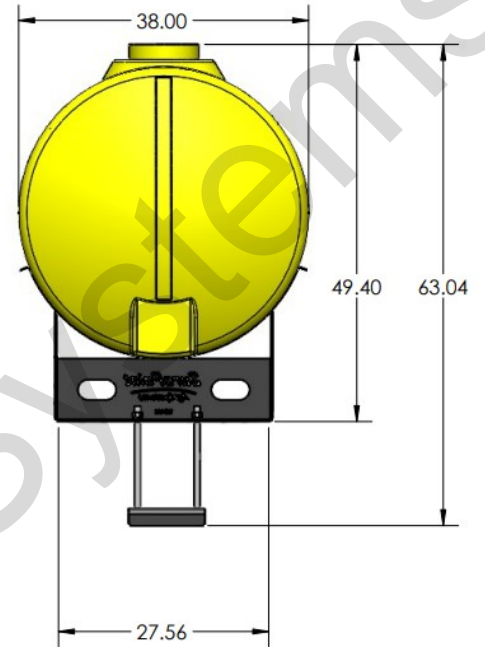
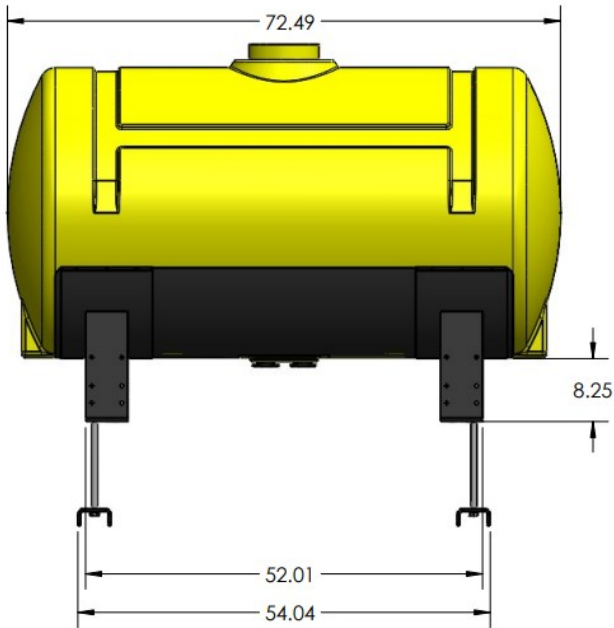
Part Number	Description
727-01-HE0400-57-W	Elliptical Tank - 400 Gallon - White
450-5093Y1	Great Plains BD7600 26 Foot 400 Gal Tank Bracket
450-5096Y1	Great Plains BD7600 30 Foot Pedestal

*Kit includes mounting hardware and U-Bolts



551-04-300500

300 Gal Round Tank & Saddle Assembly to mount to 6"x12" hitch tube



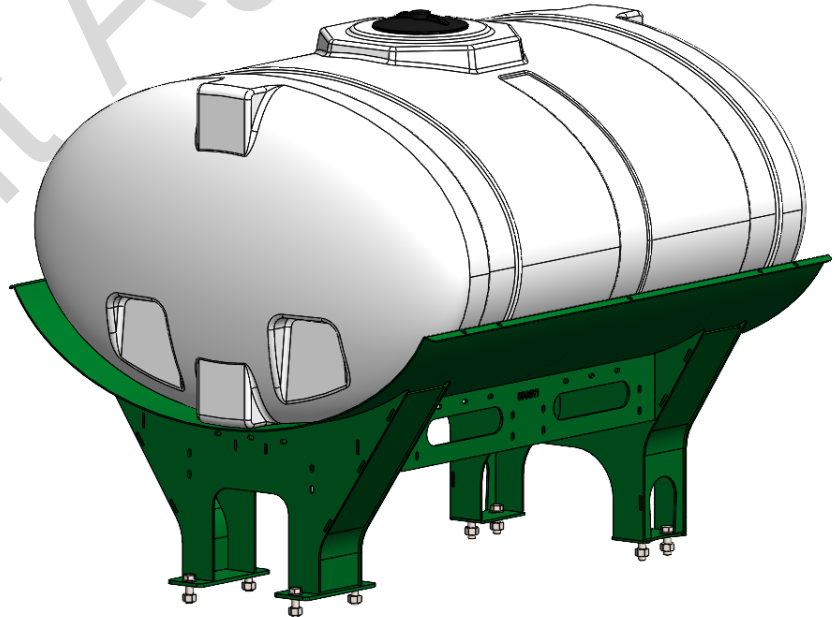
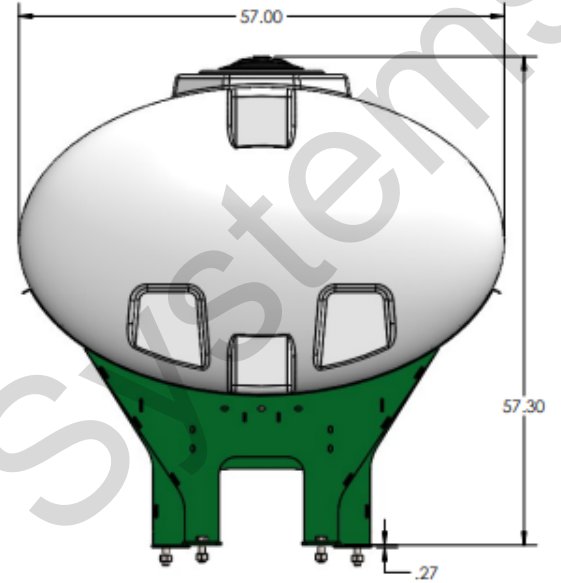
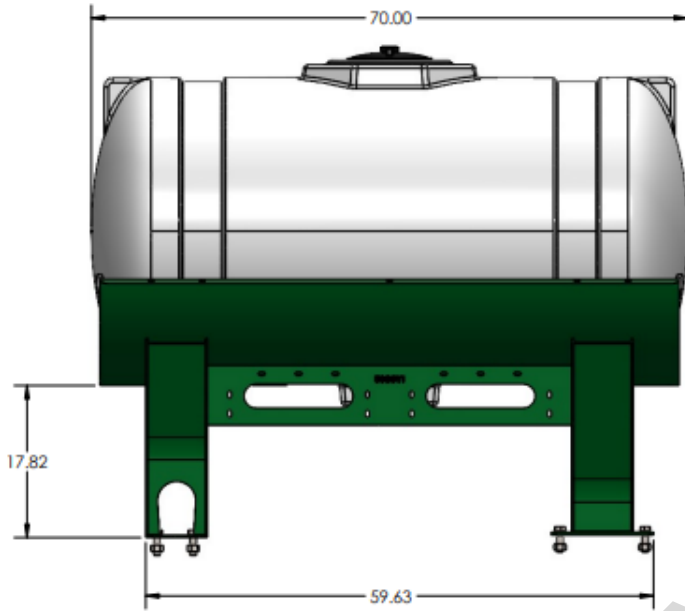
Part Number	Description
727-02-HZ0300-38-Y	Round Tank - 300 Gallon Tank
420-1104A1	38" Tank Saddle
420-1106A1	38" 300 Gallon Full Support Sheet
400-2015A1	Accelerator Z Mount HD Backer Plate (with side flanges),

*Kit includes mounting hardware and U-Bolts



551-04-400400

Great Plains BD7600-40 (40') 400 Gallon Tank Kit - Includes Tank Instruction Sheet: 396-5099Y1



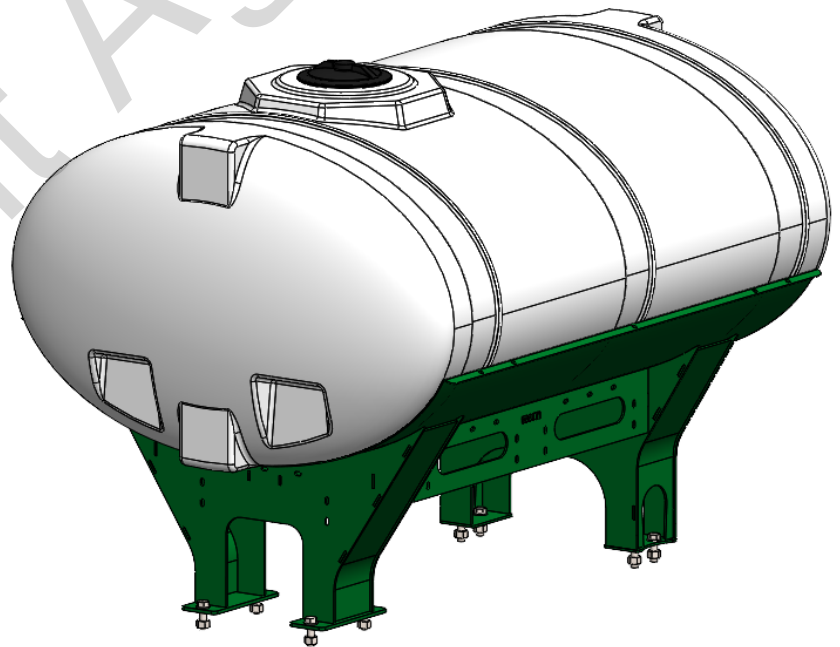
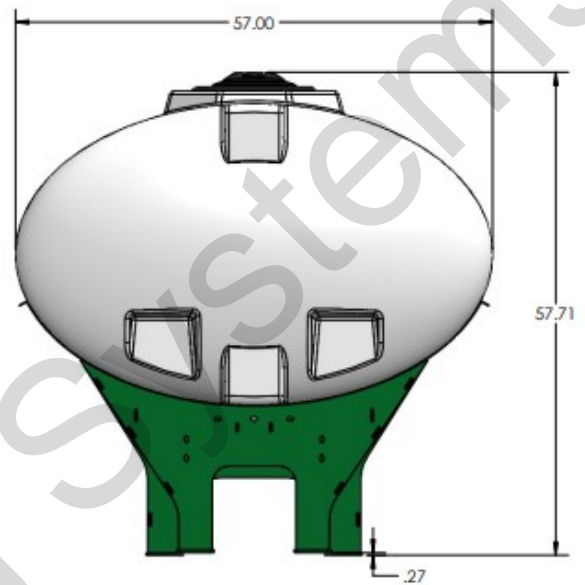
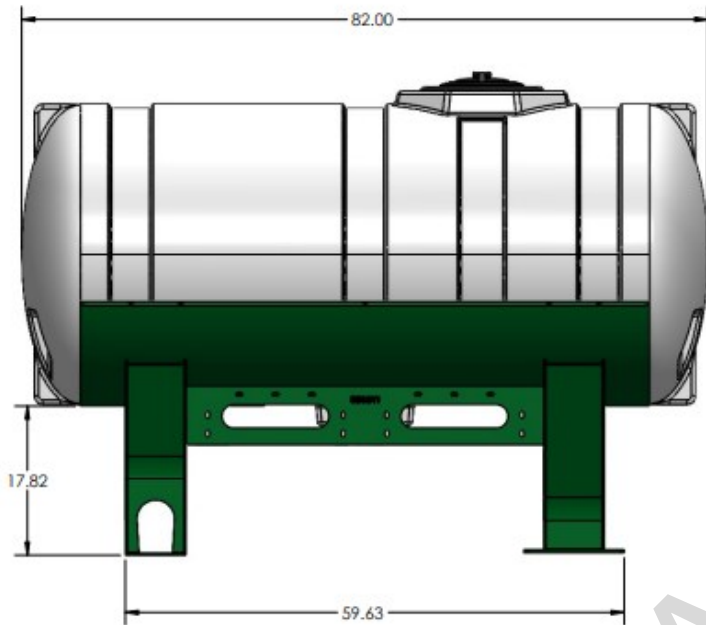
Part Number	Description
727-01-HE0400-57-W	Elliptical Tank - 400 Gallon - White
450-5000Y1	Great Plains BD7600 40 Foot Tank Bracket - 400/500 Gallon

*Kit includes mounting hardware and U-Bolts



551-04-400450

Great Plains BD7600-40 (40') 400 Gallon Tank Kit - Includes Tank Instruction Sheet: 396-5099Y1



Part Number	Description
727-01-HE0500-57-CS-W	Elliptical Tank - 500 Gallon - White
450-5000Y1	Great Plains BD7600 40 Foot Tank Bracket - 400/500 Gallon

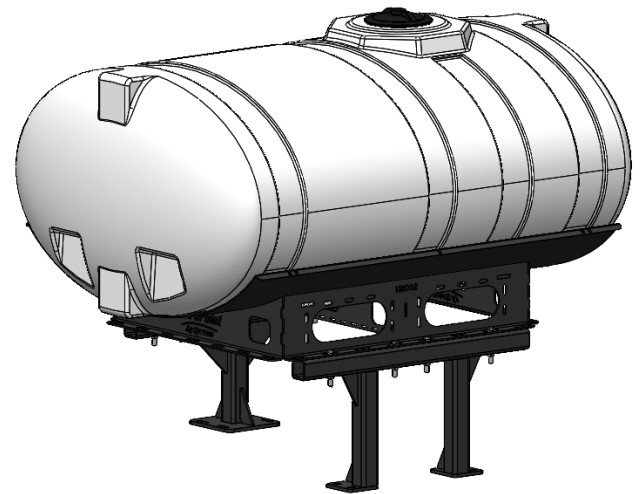
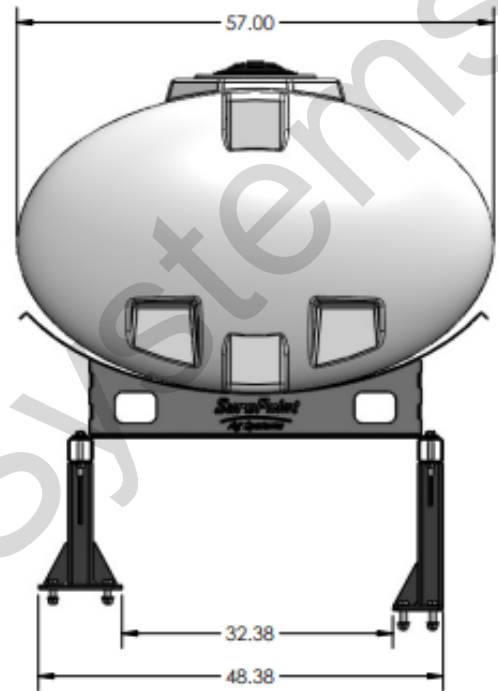
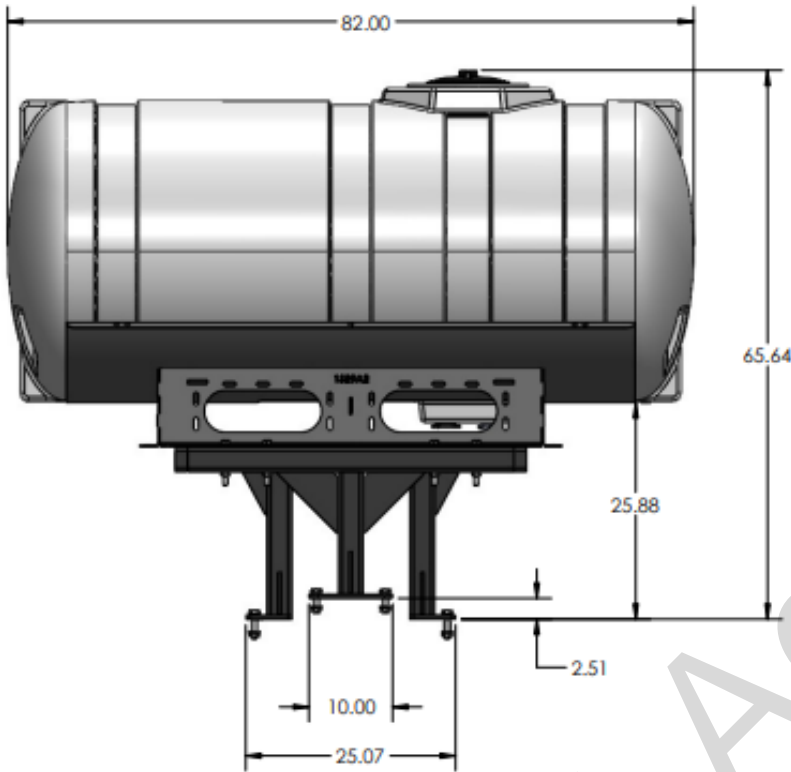
*Kit includes mounting hardware and U-Bolts



551-04-400500 - SPECIAL ORDER

Great Plains 3S5000 (50') with 500 Gallon Elliptical Tank Kit

Instruction Sheet: 396-2641Y1



Part Number	Description
727-01-HE0500-57-CS-W	Elliptical Tank - 500 Gallon - White
421-1329A2-BK	500 Gallon Elliptical Cradle
450-2636Y1-BK	GP 3S5000 Front Support
450-2637Y1-BK	GP 3S5000 Rear Tank Stand

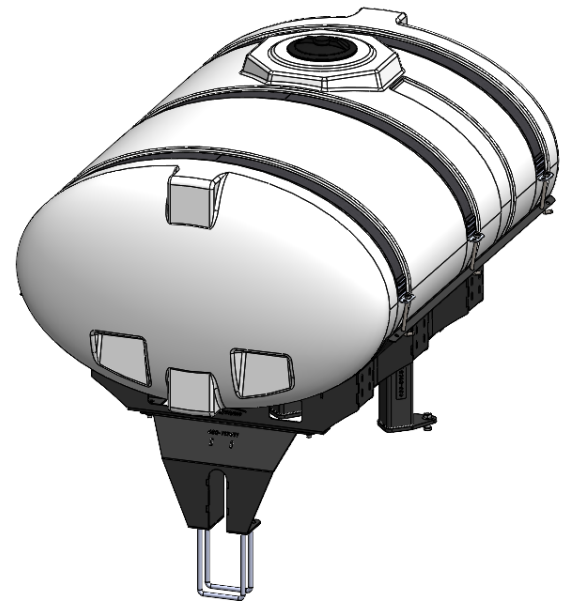
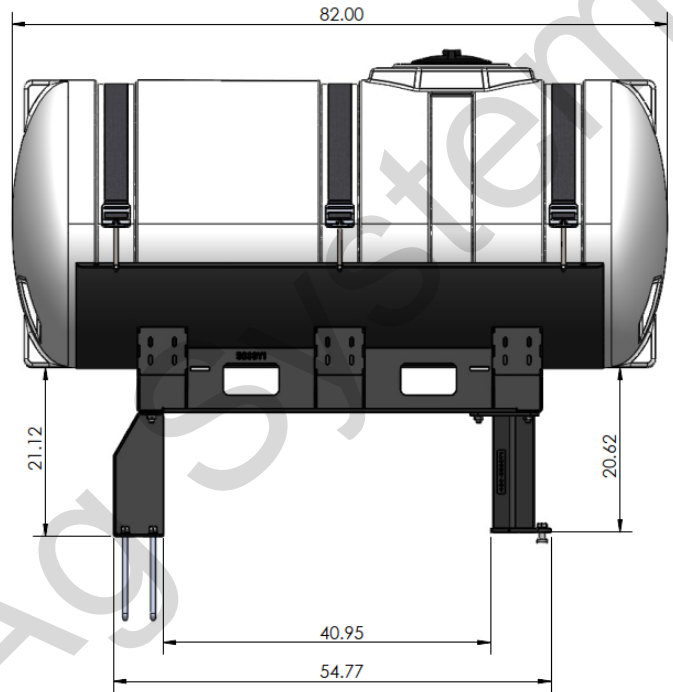
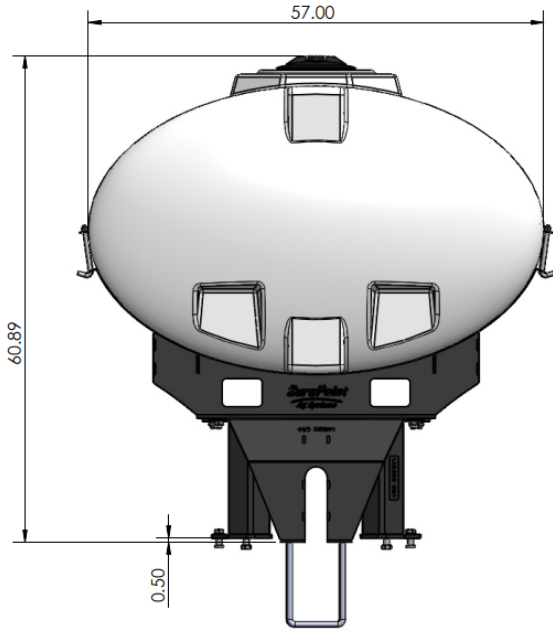
*Kit includes mounting hardware and U-Bolts



551-05-105600

Landoll 5531 500 Gallon Hitch Mounted Tank Kit

Instruction Sheet: 396-7750Y1



Part Number	Description
727-01-HE0500-57-CS-W	Elliptical Tank - 500 Gal - White
421-5638Y1	500 Gallon Elliptical Cradle
400-7179Y1	Landoll 5531 Front Pedestal
400-7180Y1	Landoll 5531 Rear Pedestal

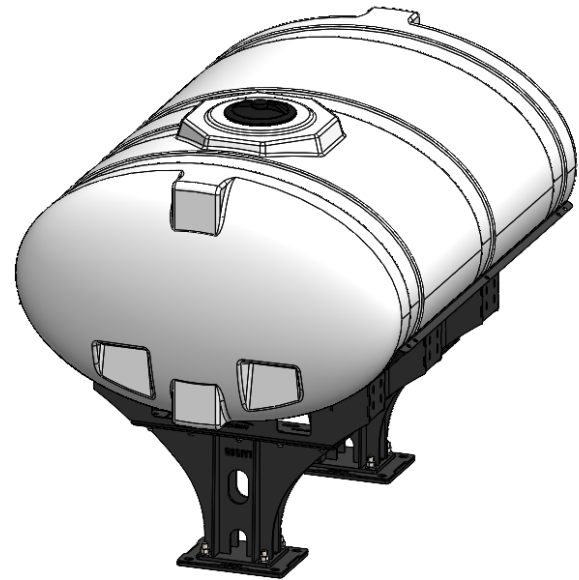
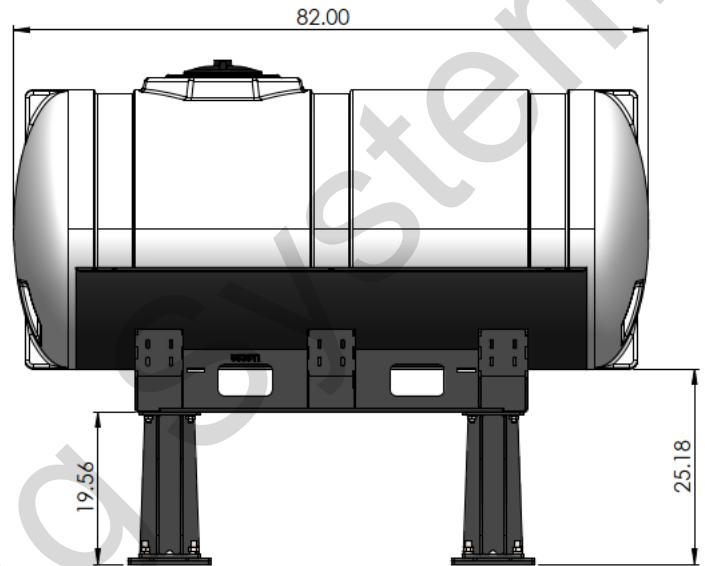
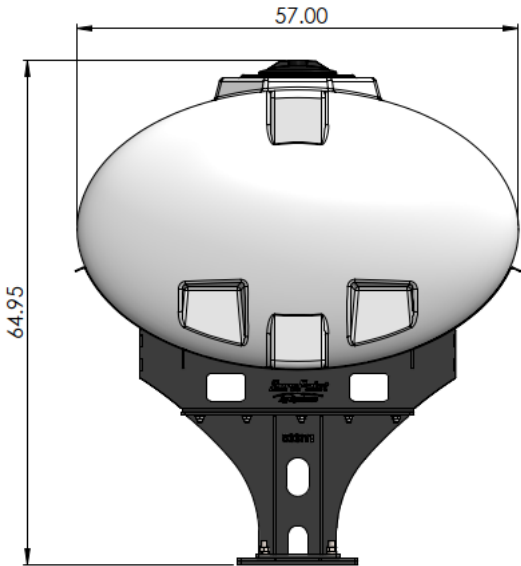
*Kit includes mounting hardware and U-Bolts



551-05-200500

Landoll 5540 500 Gallon Hitch Mounted Tank Kit

Instruction Sheet: 396-5160Y1



Part Number	Description
727-01-HE0500-57-CS-W	Elliptical Tank - 500 Gallon - White
421-5638Y1	500 Gallon Elliptical Cradle
421-5331Y1	18" Heavy Duty Tank Pedestal
420-5132Y1	Tank Pedestal Adapter Plate - 8" to 12" Hitch

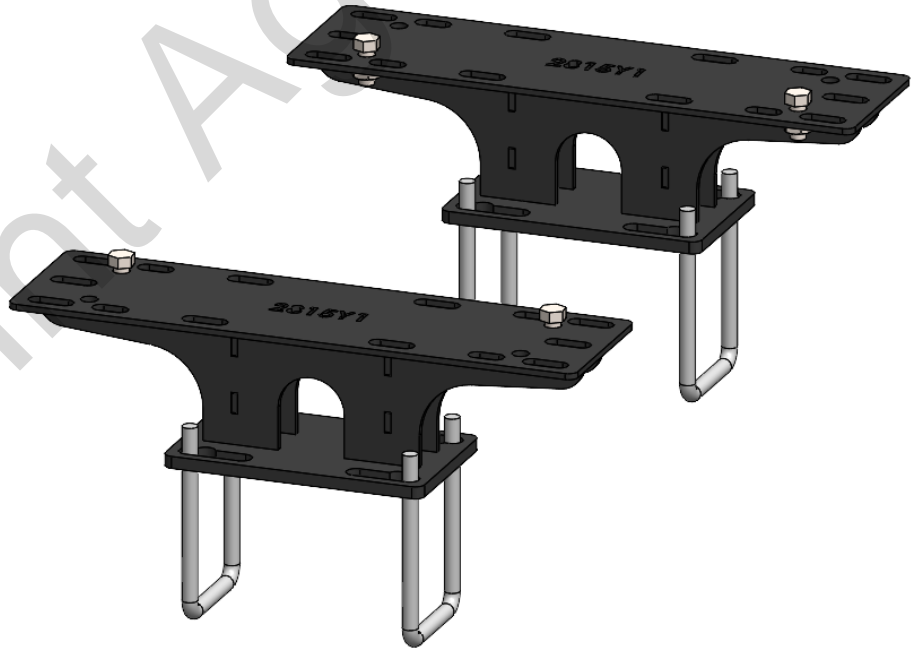
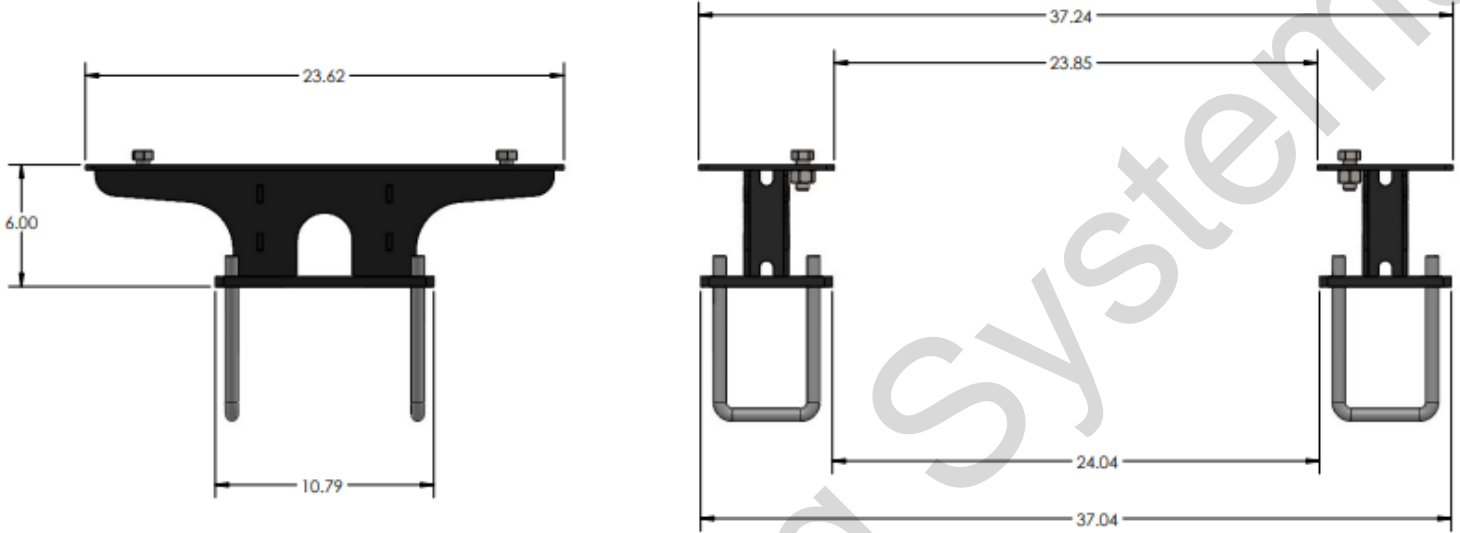
*Kit includes mounting hardware and U-Bolts



516-02-100100

Case IH 5310 16R30 Mounting Kit for Single Center Mounted 55 or 110 Gallon Catalyst Tank

Instruction Sheet: 396-3270Y1



Part Number	Description
420-2815Y1	Pedestal Support for Tank (Accelerator Tank (55-155), 200 and 300 Gallon Saddles)

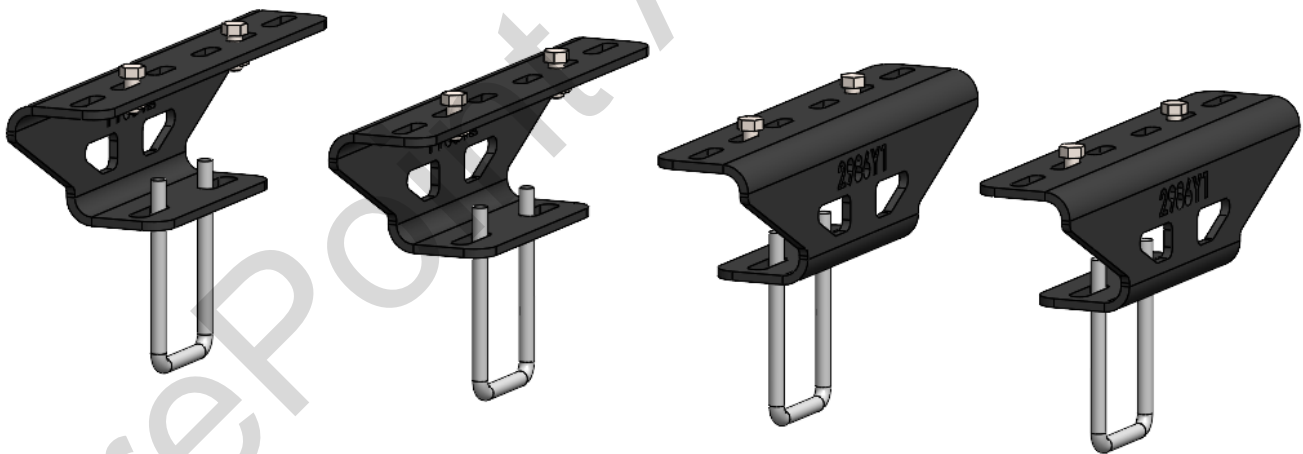
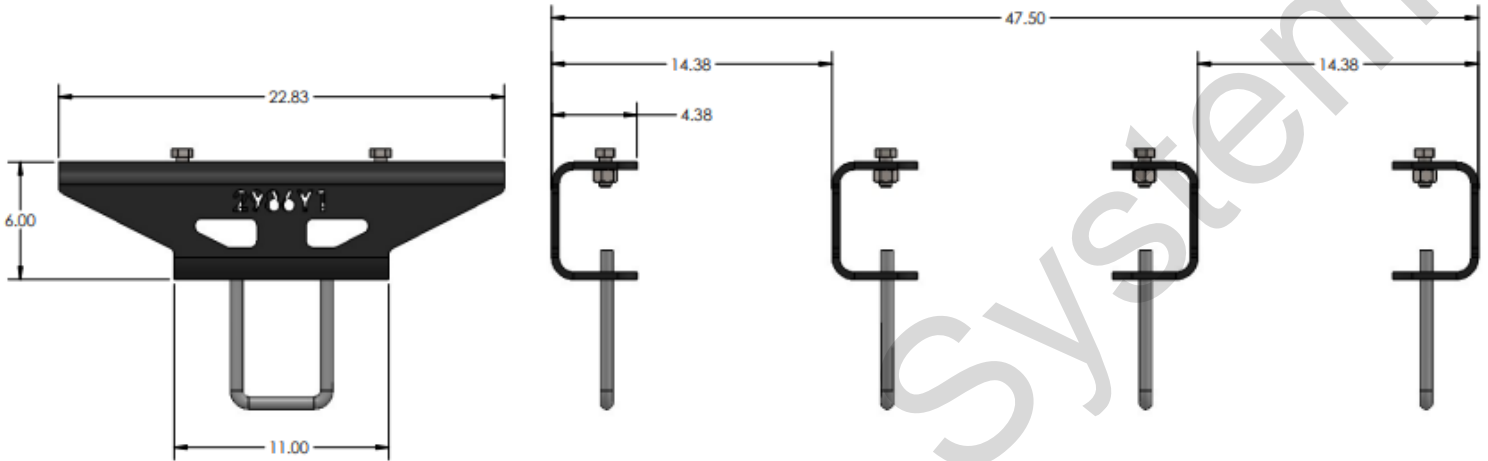
*Kit includes mounting hardware and U-Bolts



516-02-100150

Case IH 5310 16R30 Mounting Kit for Dual 55 Gallon Catalyst Tanks

Instruction Sheet: 396-3270Y1



Part Number	Description
420-2986Y1	55 and 110 Gallon Tank Pedestal (6" Tall)

*Kit includes mounting hardware and U-Bolts

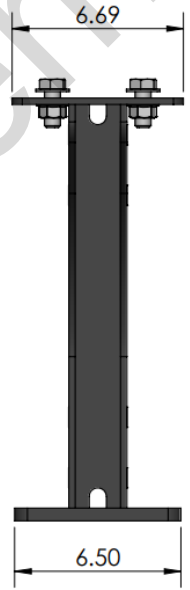
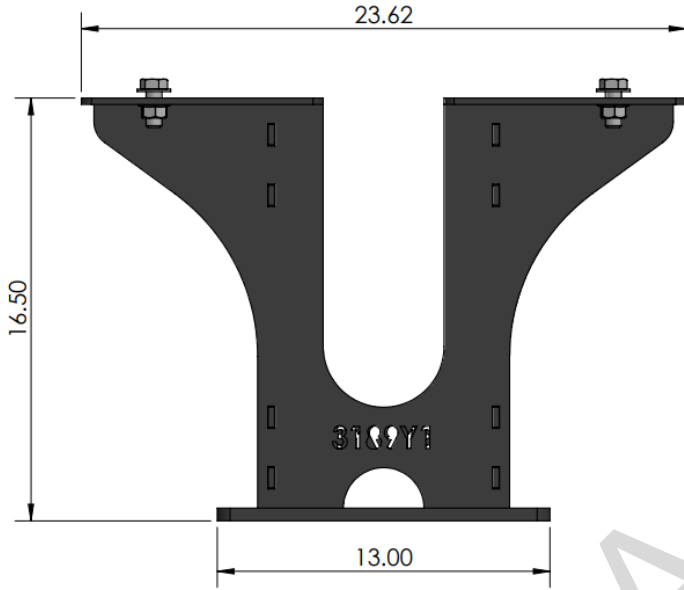


516-02-100500 - SPECIAL ORDER

Case iH 940/950 Hitch Mount Tank

Bracket Kit for 55, 110, 155 Gal Tanks

Instruction Sheet: 396-3195Y1



Part Number	Description
420-3189Y1-BK	Case iH 940/950 Front Hitch Pedestal
420-3184Y1-BK	Case iH 940/950 Front Hitch Pedestal - Bolt Plate

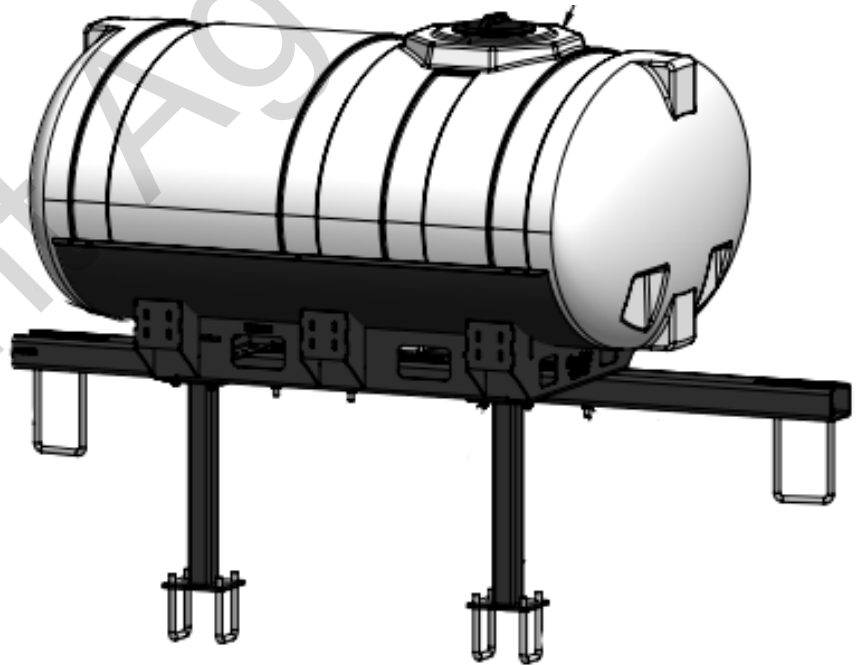
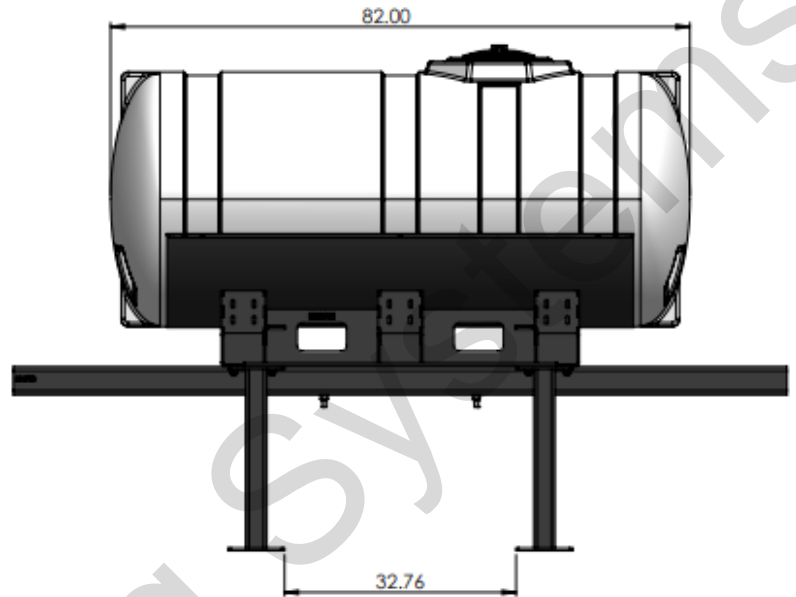
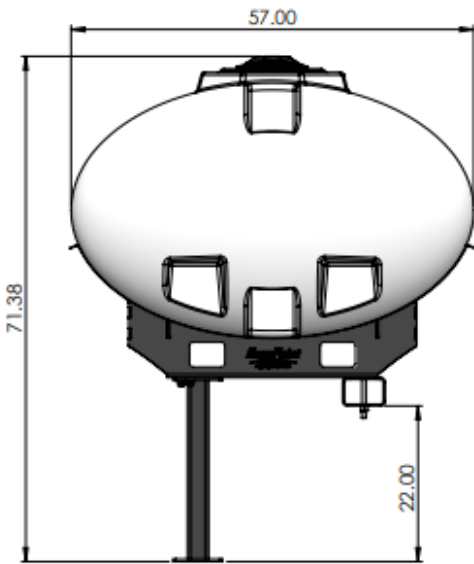
*Kit includes mounting hardware and U-Bolts



551-06-100500

500 Gallon Elliptical Tank, Bracket and Hardware for Case 500T 40'

Instruction Sheet: 396-2727Y1



Part Number	Description
727-01-HE0500-57-CS-W	Elliptical Tank - 500 Gallon - White
421-5638Y1	500 Gallon Elliptical Cradle - New Design
457-2384Y1	CaseIH 500 Front Vertical Support WA
457-2383Y2	Rear Cross Beam for 40ft CaseIH 500 Precision Disk Tank Mount For New Cradle

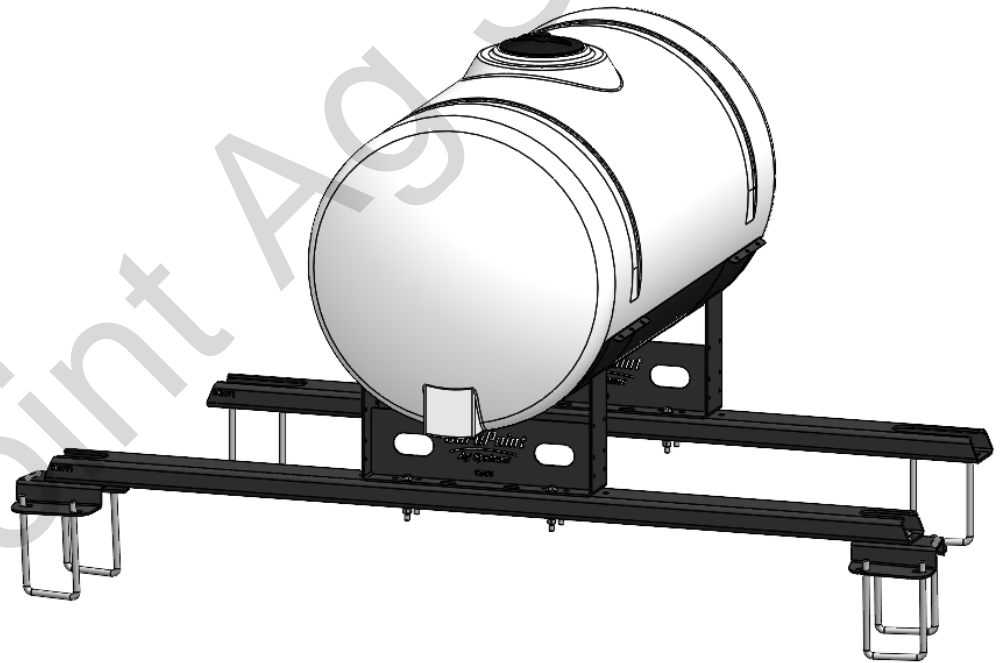
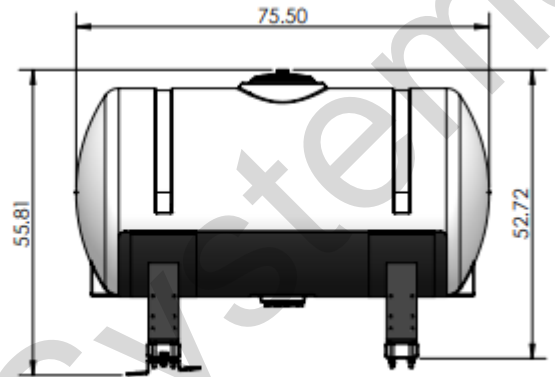
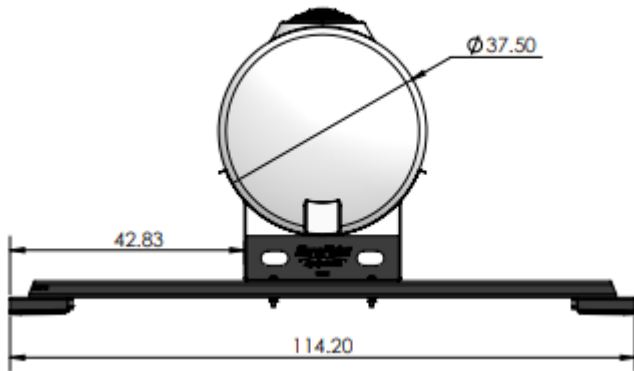
*Kit includes mounting hardware and U-Bolts



551-06-200500

300 Gallon Horizontal Tank, Bracket and Hardware for Case 500T 25' & 30'

Instruction Sheet: 396-001740



Part Number	Description
727-02-HZ0300-38-W	Round Tank - 300 Gallon White
420-1104A1	38" Tank Saddle
420-1106A1	38" 300 Gallon Full Support Sheet
457-2438Y1	Rear Cross Beam for 25 & 30ft CaseIH 500 Precision Disk Tank Mount
457-2437Y1	Front Cross Beam for 25 & 30ft CaseIH 500 Precision Disk Tank Mount
457-2435Y1	CaseIH 500T 30' Tank Bracket - Left Side Front Beam Adapter Bracket
457-2436Y1	CaseIH 500T 30' Tank Bracket - Right Side Front Beam Adapter Bracket

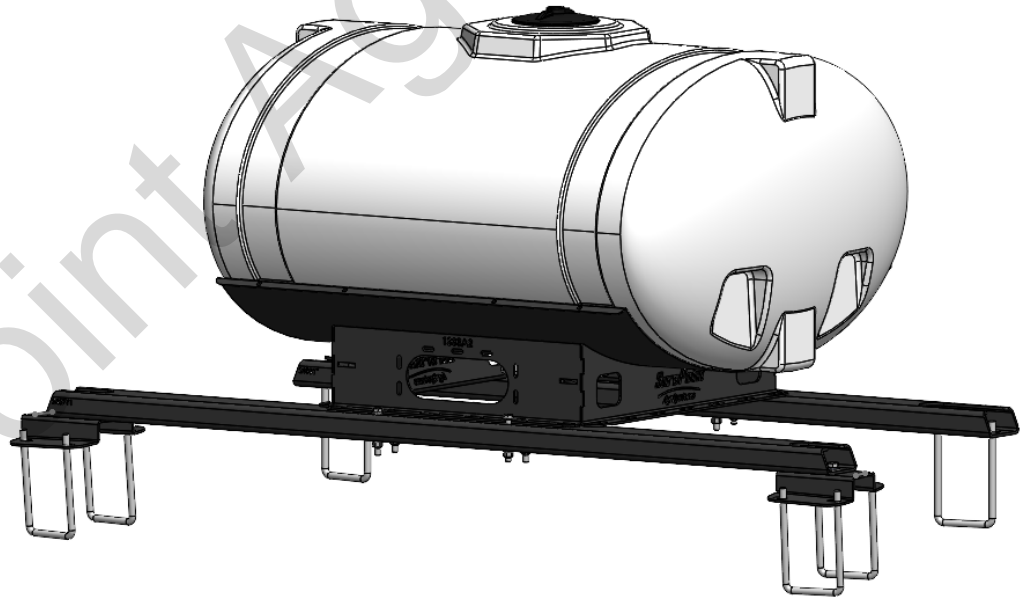
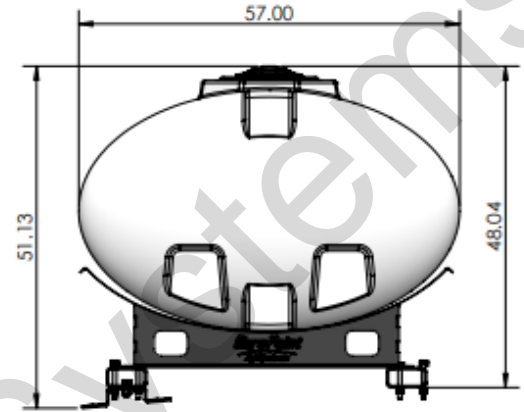
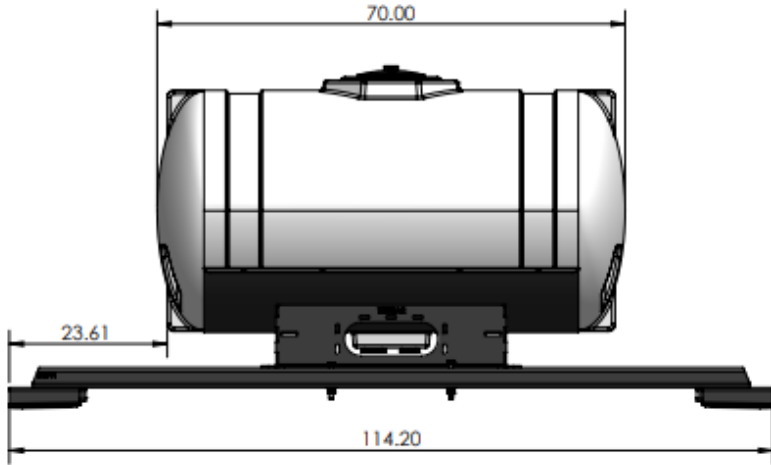
*Kit includes mounting hardware and U-Bolts



551-06-200750 - SPECIAL ORDER

400 Gallon Elliptical Tank, Bracket and Hardware for Case 500T 25' & 30'

Instruction Sheet: 396-001740



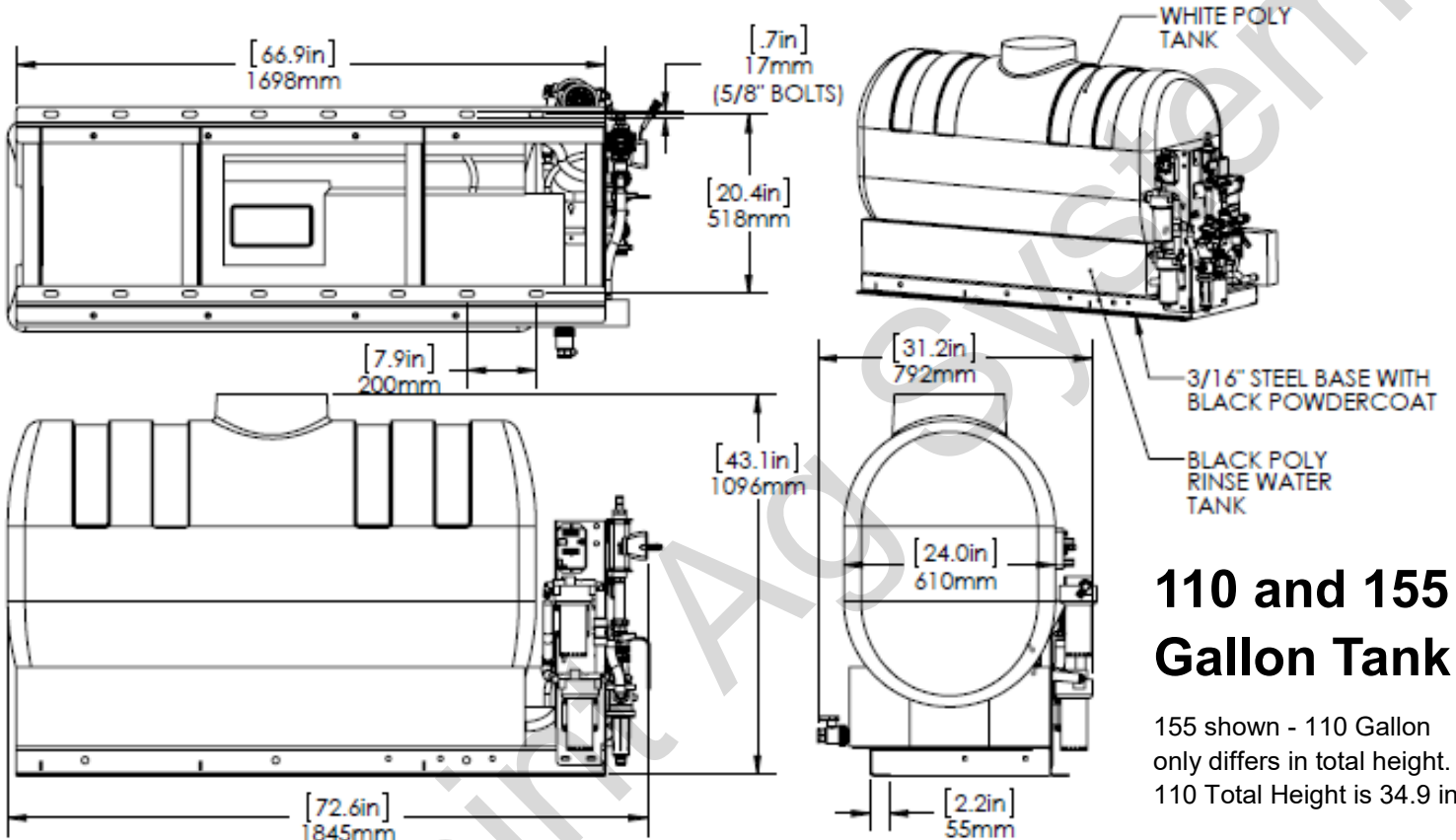
Part Number	Description
727-01-HE0400-57-W	Round Tank - 400 Gallon White
421-1333A2	400 Gallon Elliptical Cradle
457-2438Y1	Rear Cross Beam for 25 & 30ft CaseIH 500 Precision Disk Tank Mount
457-2437Y1	Front Cross Beam for 25 & 30ft CaseIH 500 Precision Disk Tank Mount
457-2435Y1	CaseIH 500T 30' Tank Bracket - Left Side Front Beam Adapter Bracket
457-2436Y1	CaseIH 500T 30' Tank Bracket - Right Side Front Beam Adapter Bracket

*Kit includes mounting hardware and U-Bolts





524-01-011001 - 110 Gallon White
524-01-011050 - 110 Gallon Yellow
524-01-015501 - 155 Gallon White
524-01-015550 - 155 Gallon Yellow



110 and 155 Gallon Tank

155 shown - 110 Gallon only differs in total height. 110 Total Height is 34.9 in.

Recommended Fill Kits

- 520-00-1010 - Accelerator Fill Kit - 2" Flange Fill Kit with 1-1/2" Hose
- 520-00-1011 - Accelerator Fill Kit for 2 Tanks- 2" Flange Fill Kit with 1-1/2" Hose
- 520-00-101120 - Dual Accelerator Tank Plumbing Kit (Tank Outlet Plumbed Together)

Recommended Mounting Kits

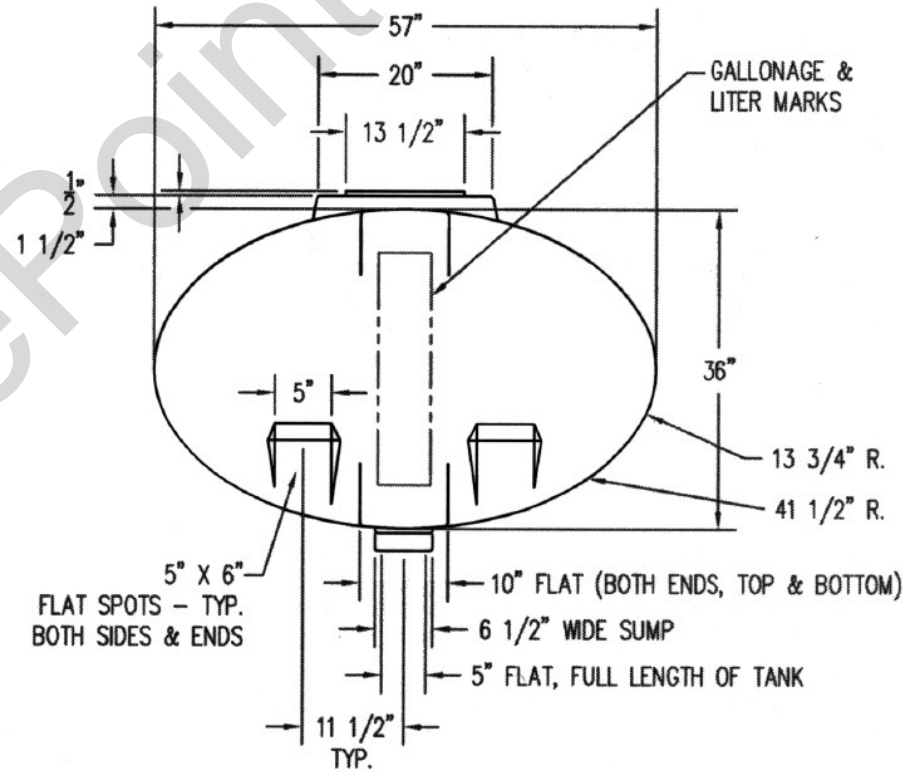
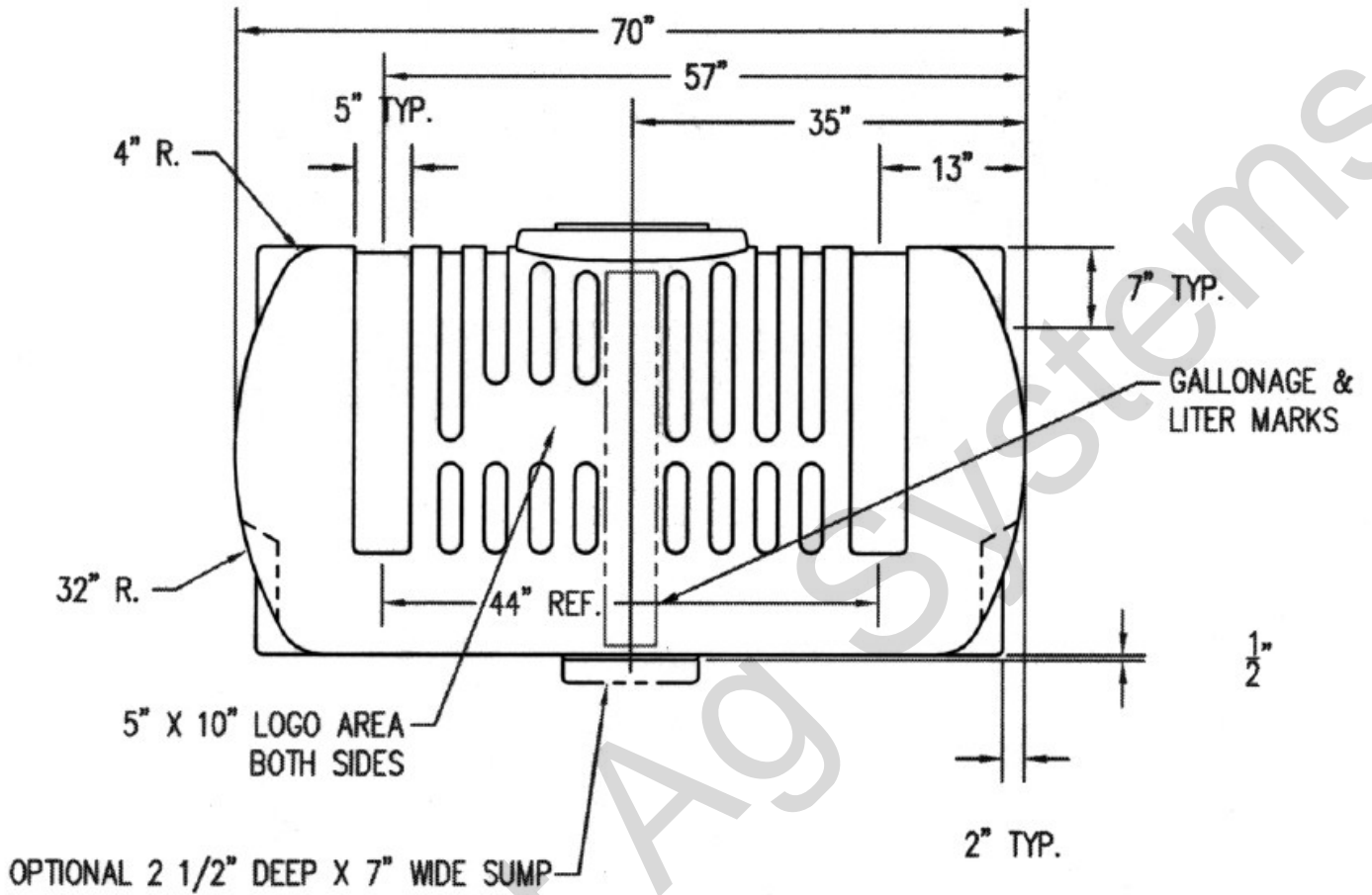
- 526-02-200275 - Black 6" Pedestal Kit for Saddle or Accelerator
- 526-02-200280 - Green 22" Pedestal Kit for Saddle or Accelerator
- 526-02-200300 - Black 16" Pedestal Kit for Saddle or Accelerator
- 526-02-200305 - Green 22" Pedestal Kit for Saddle or Accelerator
- 526-02-200350 - Black 22" Pedestal Kit for Saddle or Accelerator
- 526-02-200355 - Green 22" Pedestal Kit for Saddle or Accelerator



727-01-HE0400-57 - 400 Gallon Elliptical Tank

Center Sump

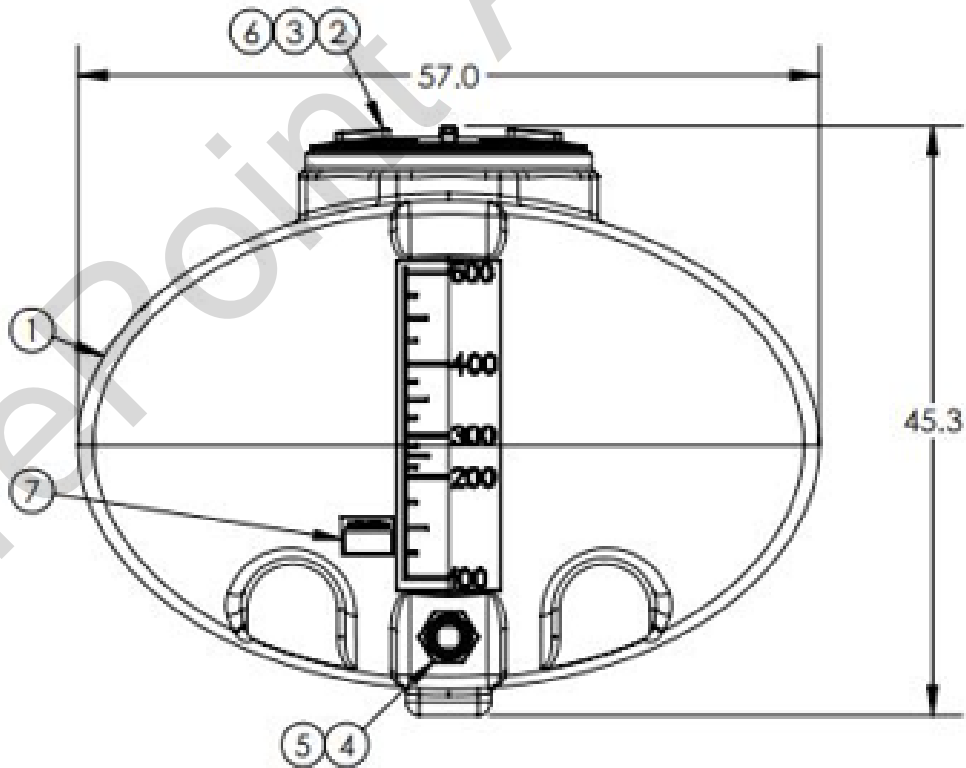
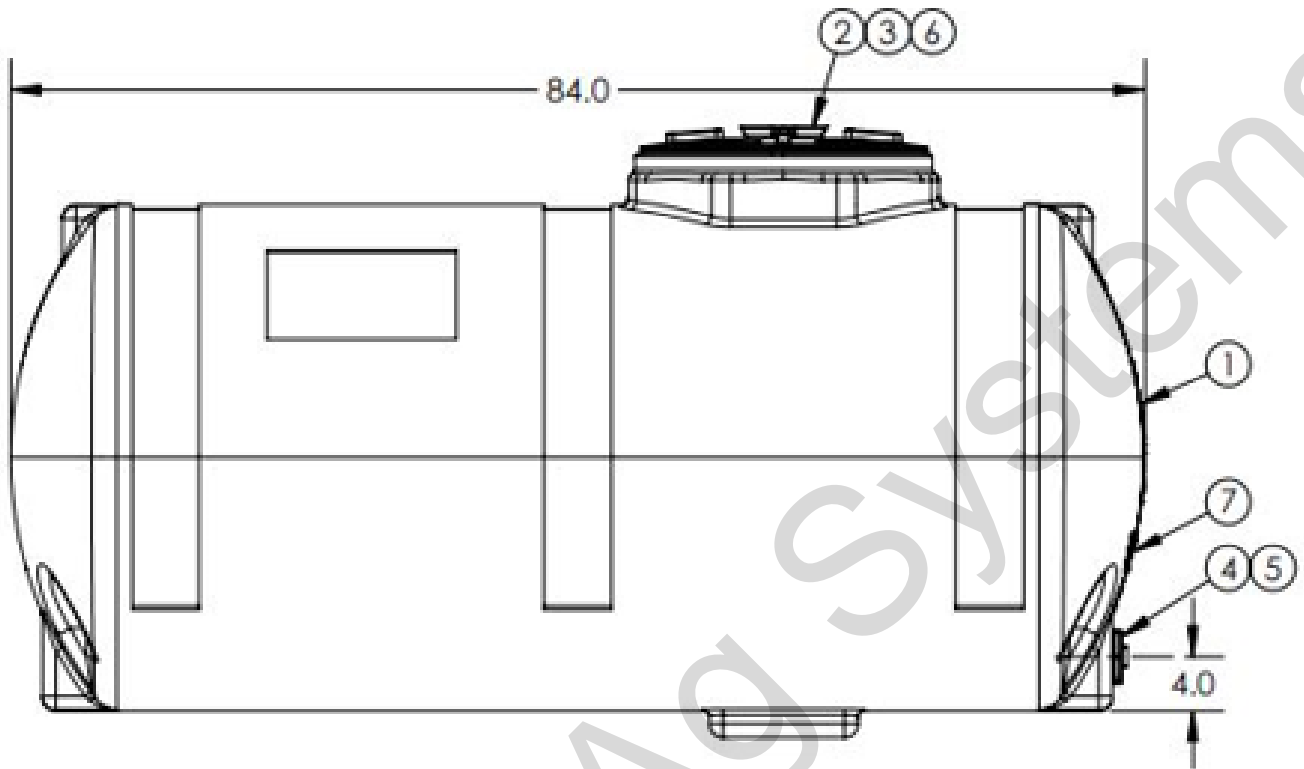
White, Yellow, Gray



727-01-HE0500-57 - 500 Gallon Elliptical Tank

Center or Offset Sump

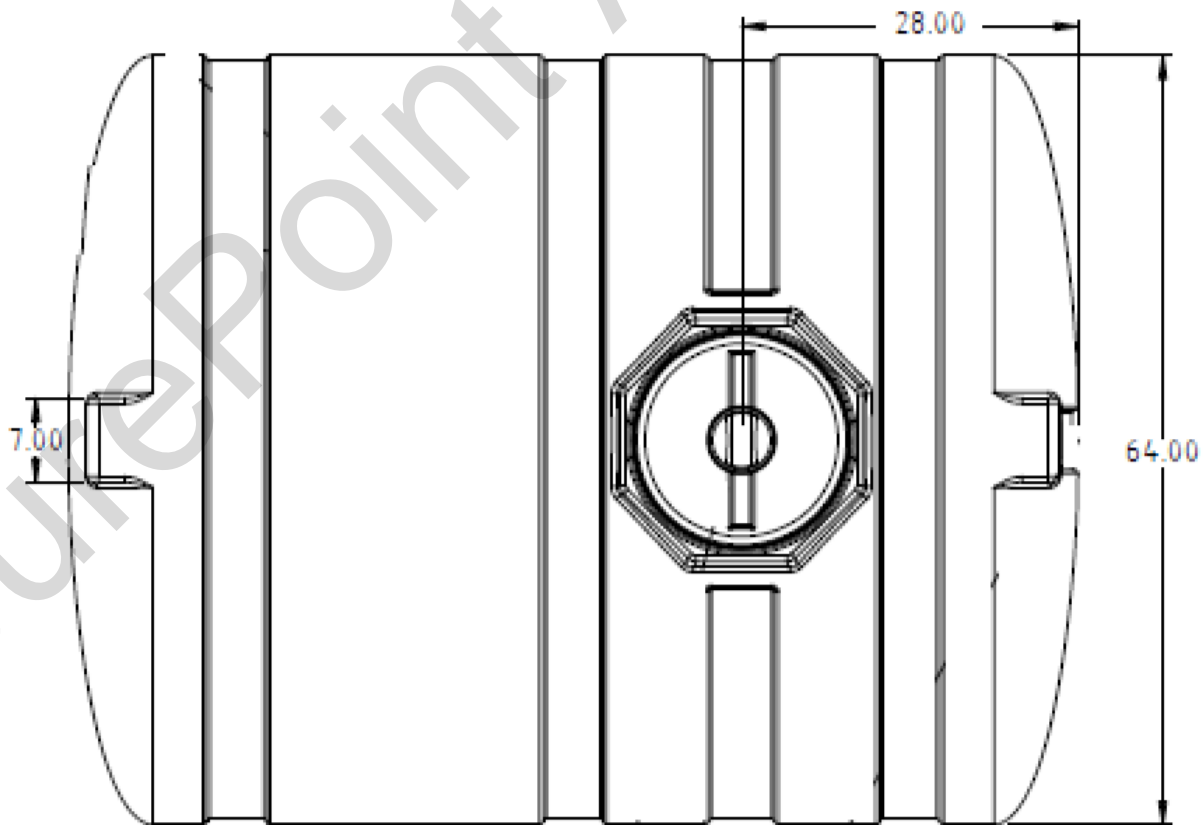
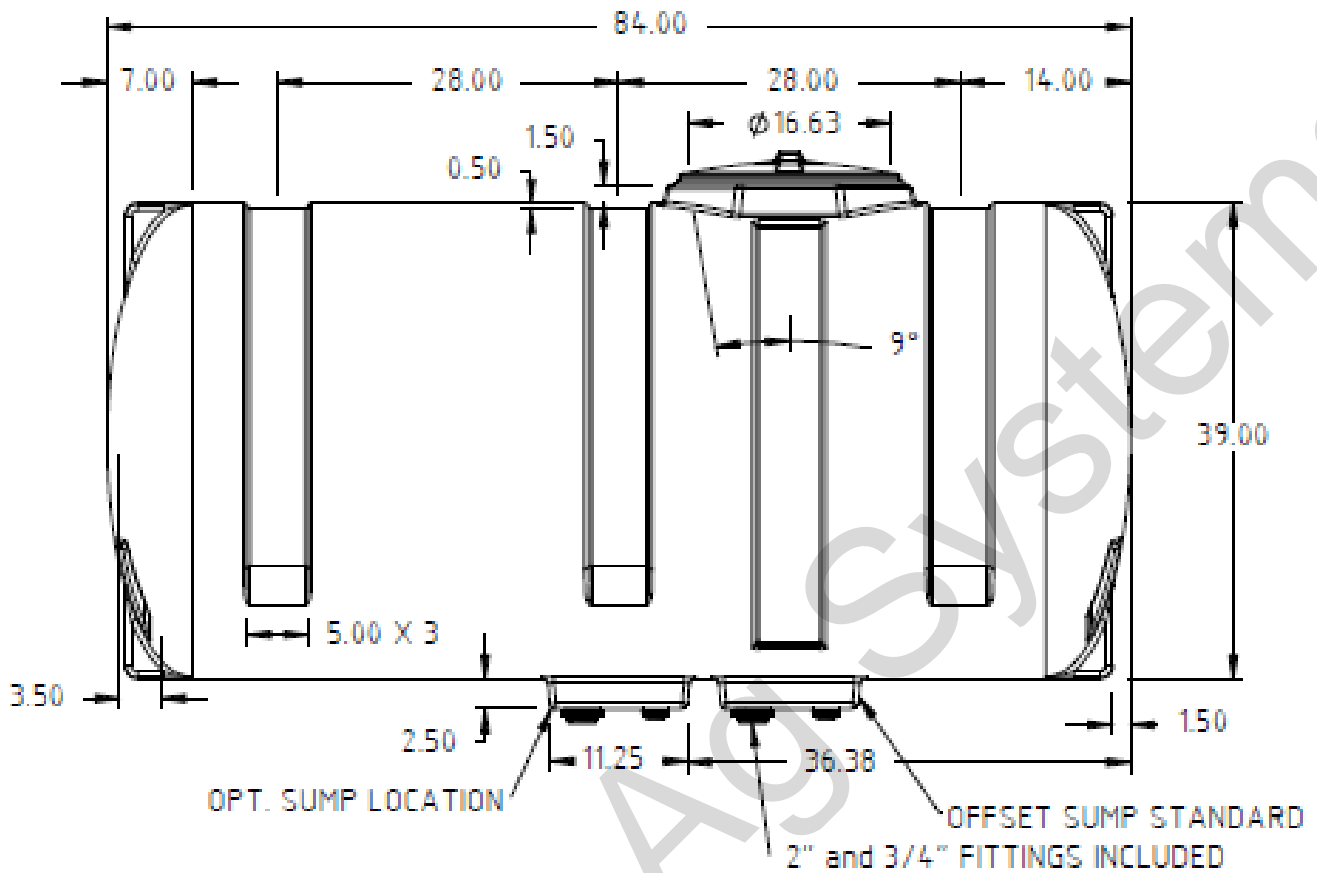
White, Yellow, Gray



727-01-HE0600-64 - 600 Gallon Elliptical Tank

Center or Offset Sump

White, Yellow, Gray



727-01-HE0750-64 - 750 Gallon Elliptical Tank

Center or Offset Sump

White, Yellow, Gray

