



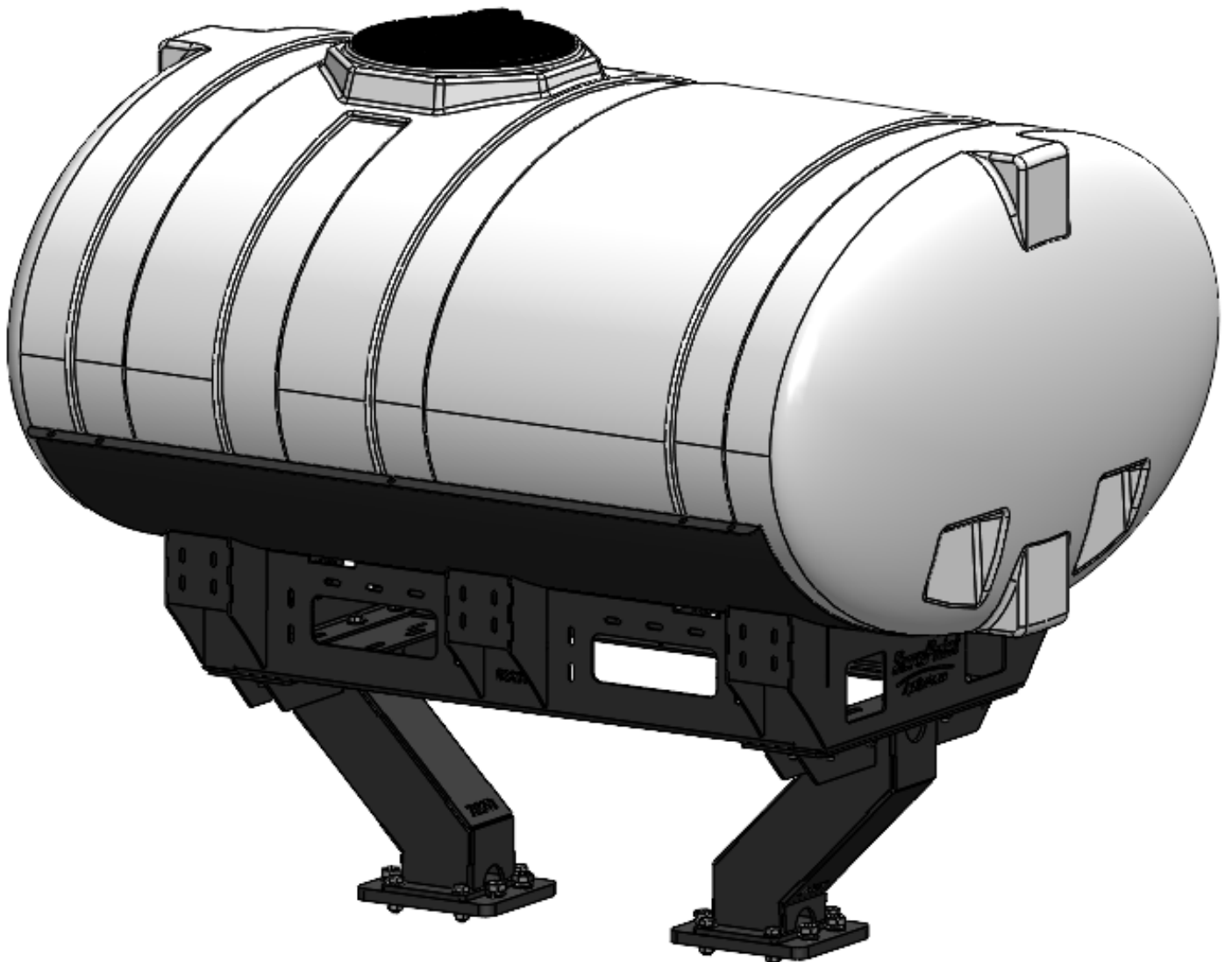
# 396-7283Y1

## Harvest International 60' Tank Mounting Instructions

Planter Manufacturer:  **HARVEST**  
INTERNATIONAL INC

Kit Number: 530-05-100100

Description: Harvest International UltraPlant 60' 600 Gal Hitch Mount Tank Kit





# SurePoint Ag Systems

## Fertilizer Tank Safety and Warnings



SurePoint Ag Systems does not recommend transporting your implement with full fertilizer tanks. Doing so can result in damage to brackets and implement.



Remember to wear proper PPE (*Personal Protective Equipment*) when installing SurePoint Ag Systems fertilizer tank kits. Proper PPE includes gloves, foot and eye protection, and hearing protection.



SurePoint Ag Systems fertilizer application systems require winterization when not in use. Refer to your product manual for winterization procedures.

Failure to follow the above warnings can result in personal injury, damage to your SurePoint Ag Systems products, and damage to your implement.

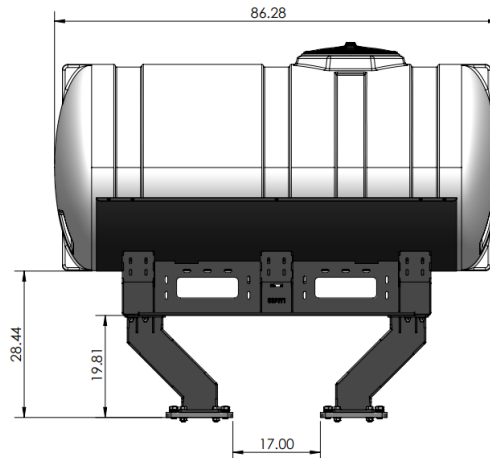
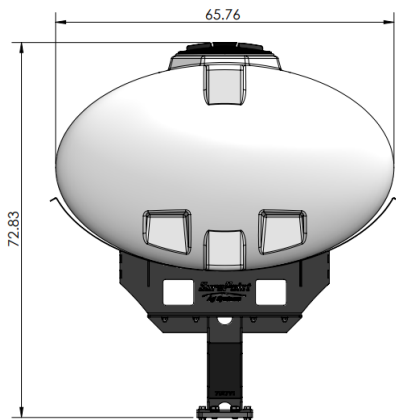
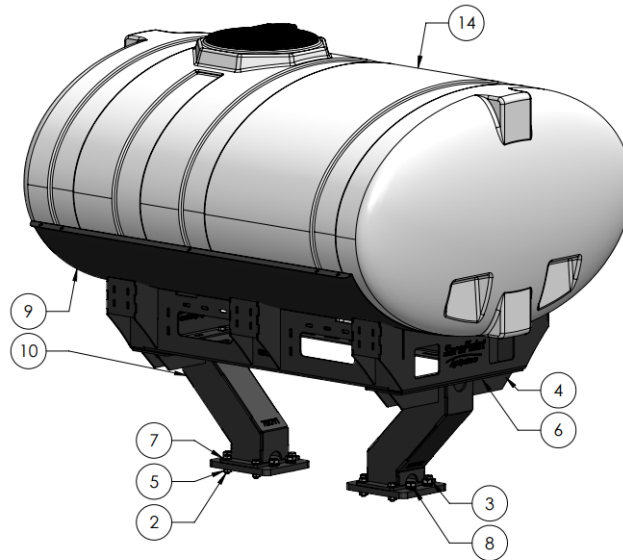


# Parts List and Installation Dimensions

## 530-05-100100

### Harvest International 60' - 600 Gal

ITEM NO.	PART NUMBER	DESCRIPTION	QTY.
1	280-100-AG200	1" AG200 Bulk	10
2	300-120208-5	3/4" x 2-1/2" Hex Head Bolt	8
3	300-160212-8	1" x 1-3/4" Hex Head Bolt	8
4	307-100108-5	Flange Head Bolt, 5/8" x 1-1/2"	12
5	323-12	3/4" Flange Nut	8
6	325-10	5/8" Top Lock Hex Flange Nut	12
7	330-12	3/4" Flat Washer	8
8	331-16-8	1" Lock Washer	8
9	421-5321Y1	600/750 Gallon Elliptical Cradle	1
10	421-7127Y1	Harvest International - 60' Tank Pedestal	2
11	421-7150Y1	Harvest International - 1" Adapter Plate	2
12	521-00-100285	Tank Overflow Assembly Bag for 400 - 750 Gallon Tanks	1
13	525-3000	Tank Strap Kit, 3" Wide, 400 - 750 Gallon	3
14	727-01-HE0600-64-CS-W	Elliptical Tank - 600 Gal - White	1





# Step by Step Instructions For Cradle & Tank

1. Mount both adapter plates onto the hitch, as shown, using the provided 1" hardware.
2. Loosely mount pedestals on adapter plates, as shown, using the provided 3/4" hardware. *Mount pedestals facing away from the center.*
3. Loosely mount tank cradle to pedestals, using the provided 5/8" hardware.
4. Mount tank to cradle using the provided tank straps. *Tighten straps again after filling the tank.*

