



396-5145Y1

Case 2100 Series Placement Tube Mounting Instructions

Planter Manufacturer:



Kit Number: 270-5204Y1
Description: TUBE ONLY Case 2000 series Out the Back Tube Kit - Right

Kit Number: 270-2000-HD
Description: Case 2000 Series In-Furrow Placement Tube Kit



Kit Number: 270-5203Y1
Description: TUBE ONLY Case 2000 series Out the Back Tube Kit - Left

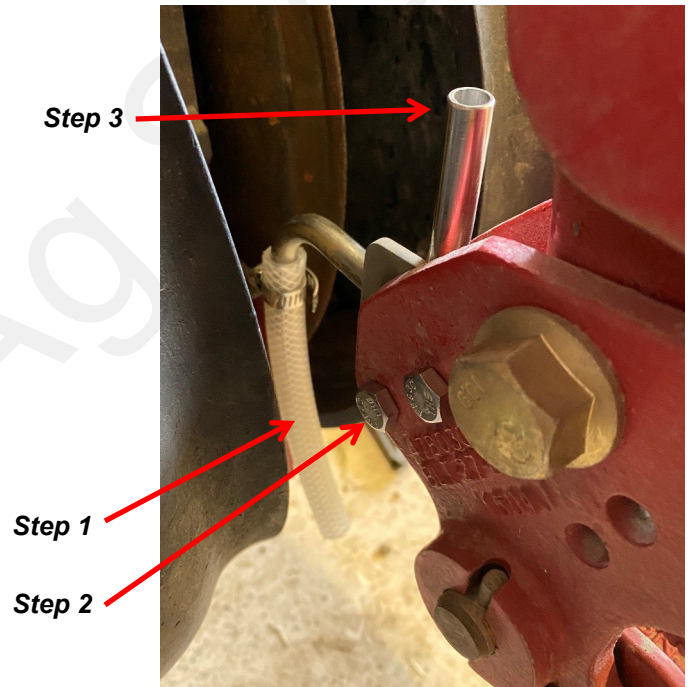
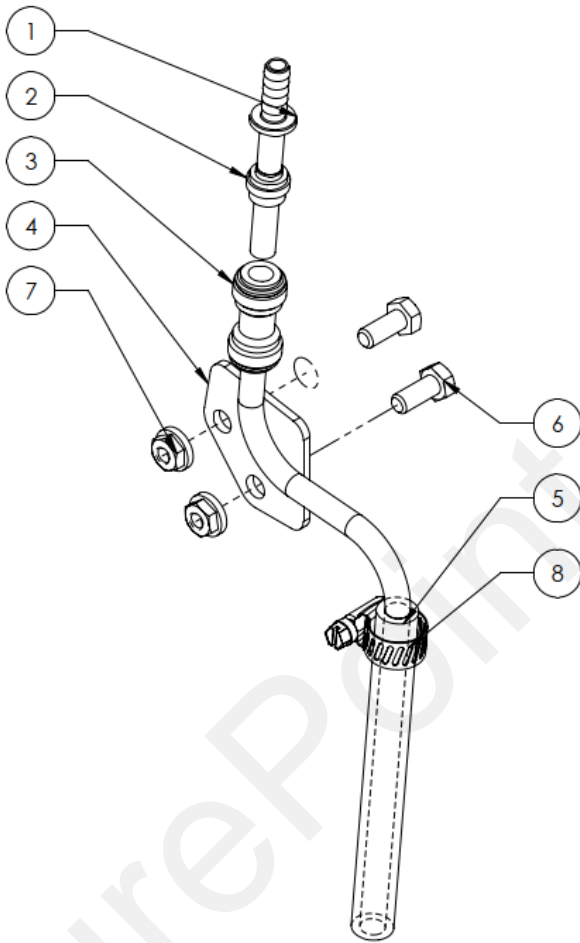




Parts List

270-2000-HD - In Furrow Tube

ITEM NO.	PART NUMBER	DESCRIPTION	QTY.
1	113-01-038038	Stem to HB - 3/8" Stem x 3/8" HB	1
2	113-03-038025-P	Stem Reducer - 3/8" Stem x 1/4" QC - polypropylene	1
3	113-14-038038	QC to QC - 3/8" QC x 3/8" QC	1
4	274-4195Y1	Case 2000 Series In-Furrow Placement Tube	1
5	283-038-15018560-06	Bulk 3/8" EVA Clear Reinforced Tubing - 6" Length	1
6	300-050012-SS	5/16" x 3/4" Hex Head Bolt - SS	2
7	323-05-SS	5/16" Flange Nut - SS	2
8	350-0605	SS Hose Clamp - Size 6 - 7/8" Diameter (fits 3/8" and 1/2" AG200)	1



Installation Instructions:

1. Position the hose on the tube so that the natural curvature of the hose is rearward, tighten with hose clamp.
2. Bolt the stainless steel tube bracket to the left side of the casting, so the tube is nearly centered. Use flat washers on the bolt head side and secure with serrated flange nuts.
3. Use the provided fittings to connect the plumbing system to the placement tube. Not all fittings will be used but are provided for flexibility.
4. Trim clear plastic hose to desired length (Optional)



Parts List - Out The Back Tubes 270-5203Y1 / 270-5204Y1

Kit Number: 270-5203Y1

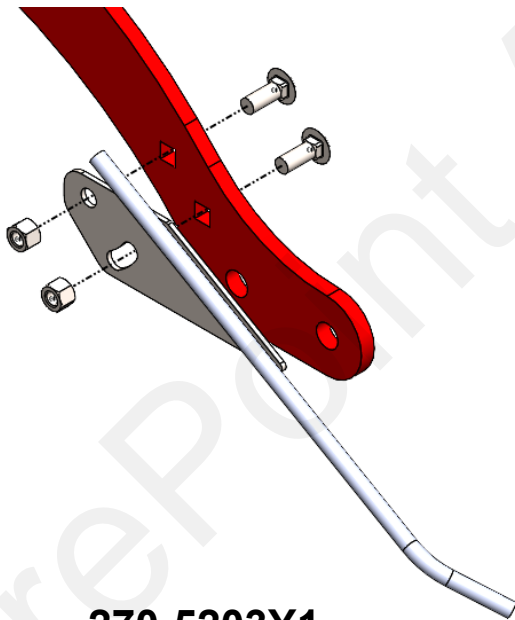
Description: Case 2000 series Out the Back Tube Kit - Left

ITEM NO.	PART NUMBER	DESCRIPTION	QTY.
1	274-5203Y1	TUBE ONLY - Case 2000 Series Out the Back Tube - Left	1
2	304-060100-5	Carriage Bolt - 3/8" x 1" G5	2
3	321-06	3/8" Nylock Nut	2

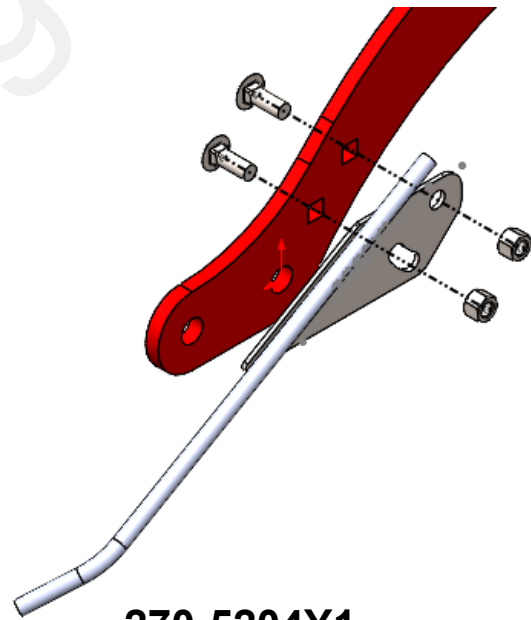
Kit Number: 270-5204Y1

Description: Case 2000 series Out the Back Tube Kit - Right

ITEM NO.	PART NUMBER	DESCRIPTION	QTY.
1	274-5204Y1	TUBE ONLY - Case 2000 Series Out the Back Tube - Right	1
2	304-060100-5	Carriage Bolt - 3/8" x 1" G5	2
3	321-06	3/8" Nylock Nut	2



270-5203Y1



270-5204Y1

Installation Instructions:

1. Use the carriage bolts and nylon lock nuts provided to mount the left or right tube to the press wheel arm as shown.
2. When the row unit is on the ground, adjust the position of the tube to the desired placement location. It is recommended to test with water at a similar flow rate to the application in order to achieve desired placement.
3. Route hose/tube from the fertilizer plumbing system to the placement tube and connect with fittings or route 1/4" tubing all the way through the placement tube until flush with the bottom.