



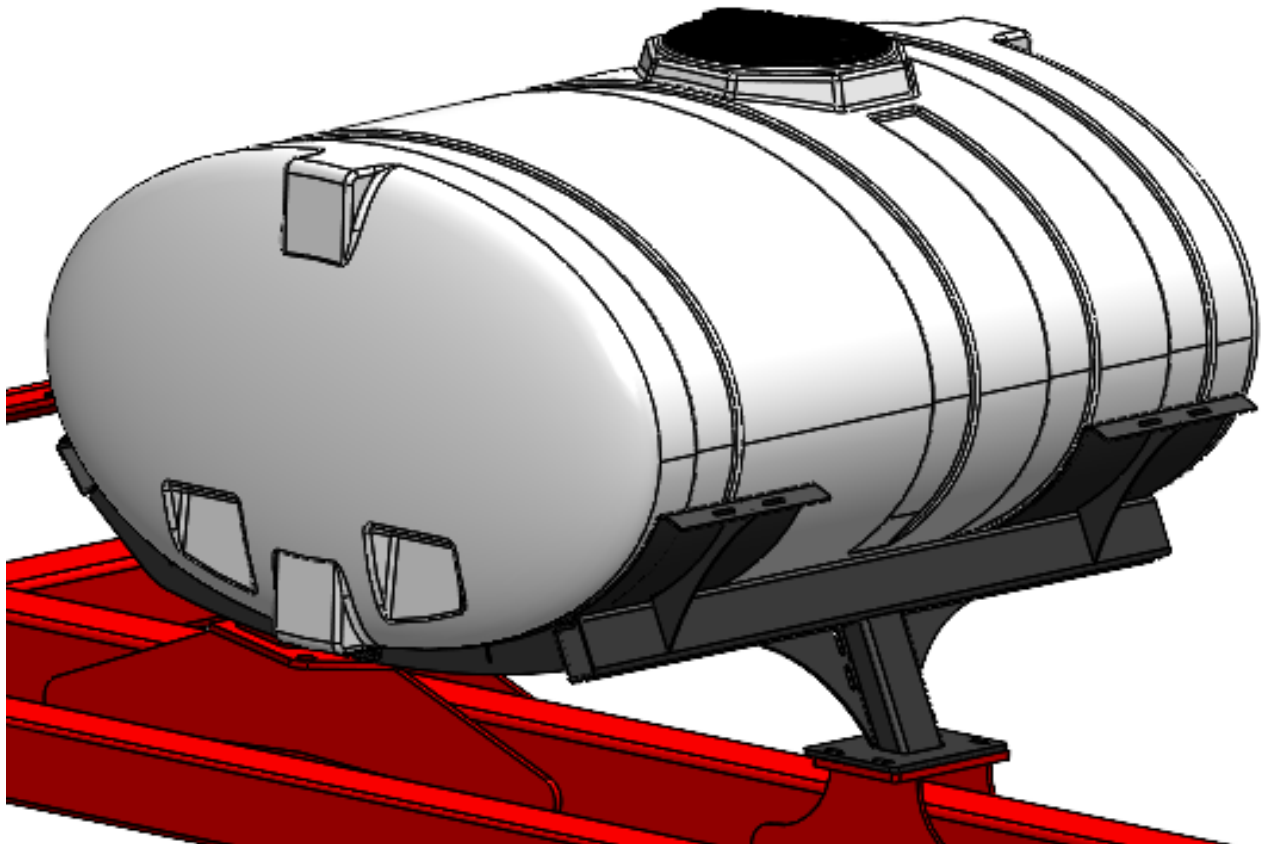
396-5045Y1

Case 2150 600 Gallon Tank Mounting Instructions

Planter Manufacturer:

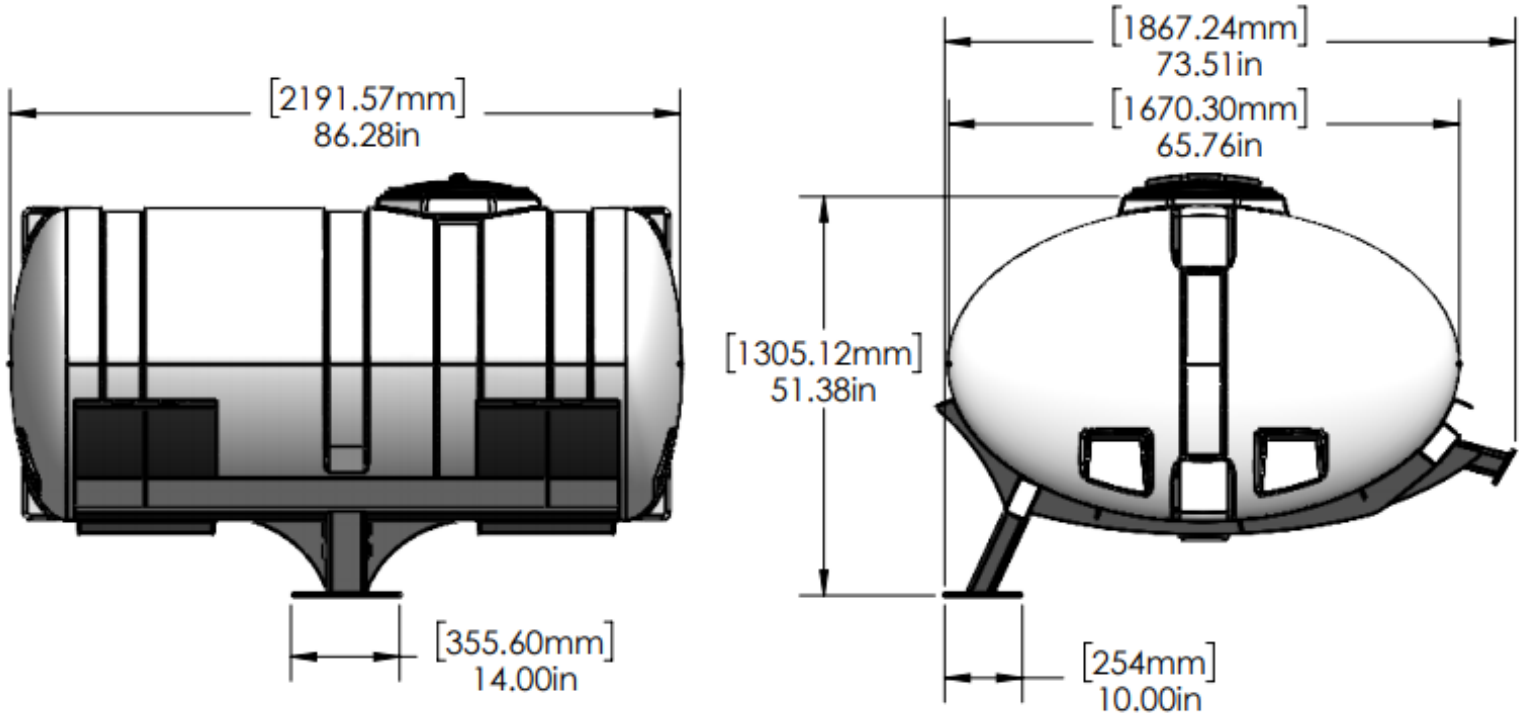


Kit Number: 530-02-400600
Description: Case IH 2150 - 600 Gallon
Elliptical Tank Kit





Parts List and Installation Dimensions



530-02-400600 600 Gallon Elliptical Tank Kit

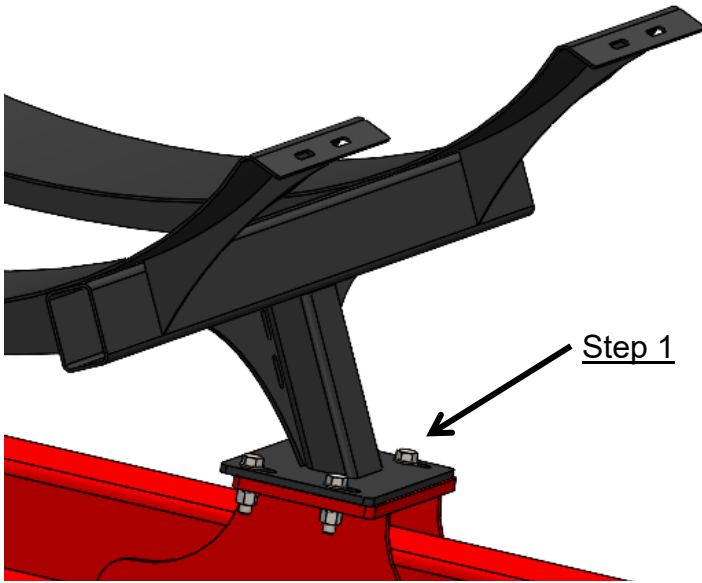
ITEM NO.	PART NUMBER	DESCRIPTION	QTY.
1	300-050100-5	5/16" x 1" Hex Head Bolt - G5	4
2	323-05	5/16" Flange Nut	4
3	330-05	5/16" Flat Washer	4
4	300-080108-5	1/2" x 1-1/2" Hex Head Bolt - G5	4
5	300-080408-5	1/2" x 4-1/2" Hex Head Bolt - G5	8
6	323-08	1/2" Flange Nut	12
7	330-08	1/2" Flat Washer	12
8	300-120300-5	3/4" x 3" Hex Head Bolt - G5	4
9	321-12	3/4" Nylock Nut	4
10	330-12	3/4" Flat Washer	4
11	421-4905Y1-BK	Case 2150 600 Gallon Tank Mount	1
12	525-750	3" 600/750 Gallon Tank Strap Kit	1
13	727-01-HE0600-64	Elliptical Tank - 600 Gal - White - C	1
14	421-4940Y1-BK	Case 2150 Air Compressor Mount Bracket	1
15	396-5045Y1	Case 2150 Tank Mounting Instructions	1



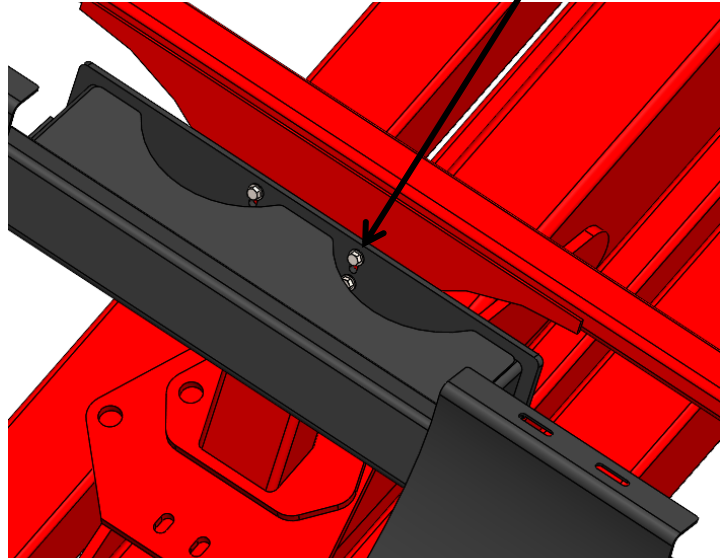
Step by Step Instructions

Installation instructions for 16 or 24 Row planters are the same.

1. Loosely mount the front of 421-4905Y1— 600 Gallon Tank Mount to the bolt plate on the hitch using four (4) 3/4" x 3" hex head bolts, washers, and nylock nuts.

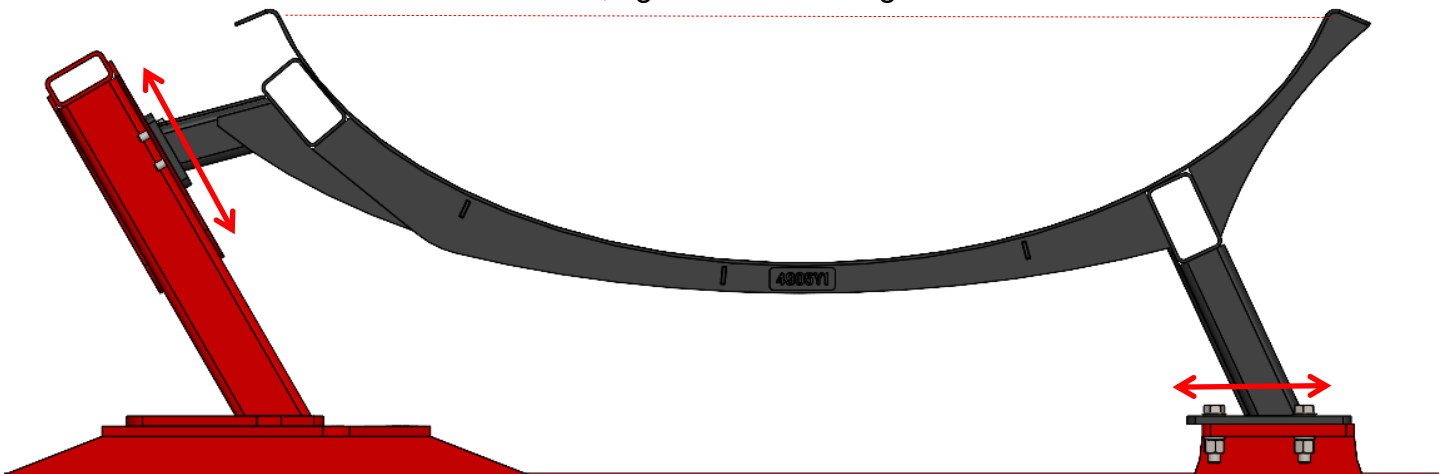


Step 2



2. Loosely mount the back of 421-4905Y1 600 Gallon Tank Mount to the bolt plate on the rear CCS support using four (4) 1/2" x 1-1/2" hex head bolts, washers and flange nuts.

3. Make sure the 3x5 bar in the front and back are level with the planter. This can be done by moving the rear mounting bracket up or down and the front mounting bracket forward or rearward. When the saddles are level, tighten all mounting bracket bolts.

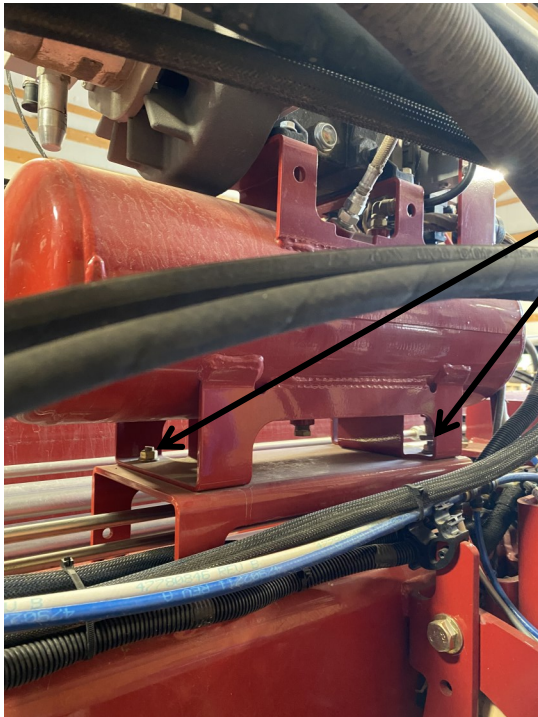


4. Finally, install the tank in the saddles and fasten the tank strap mounting brackets, and tank straps. Check for clearance when folding markers (if applicable) and when the planter is lowered. Note: Tighten straps again once the tank has been filled.

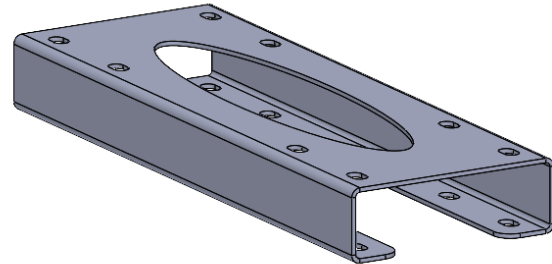


Case 2150 Air Compressor Mount Bracket Instructions

Only for 16 Row planters.



Step 1



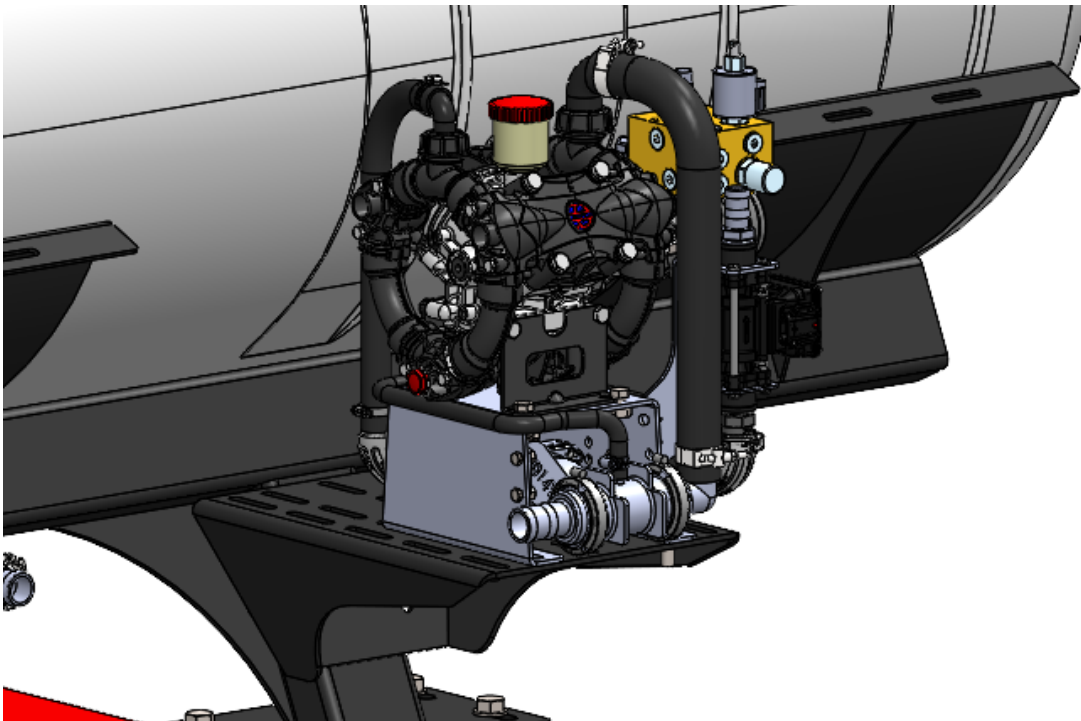
1. Remove bolts from air compressor.
2. Remount air compressor on 421-4940Y1 bracket, using the same hardware.
3. Move air compressor and bracket forward on the planter as desired and mount back on hitch using hardware provided in tank kit.



Suggested Items

Kit Description: Case 2150 Tower / PumpRight Mounting Kit
Kit Number: 515-03-201260

ITEM NO.	PART NUMBER	DESCRIPTION	QTY.
1	300-080408-5	1/2" x 4-1/2" Hex Head Bolt - G5	4
2	300-080108-5	1/2" x 1-1/2" Hex Head Bolt - G5	4
3	323-08	1/2" Flange Nut	8
4	330-08	1/2" Flat Washer	8
5	457-4941Y1-BK	Case 2150 Front Pump Mount	1



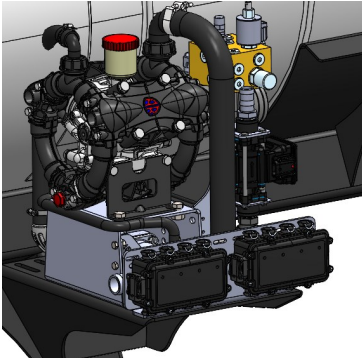
1. Mount 457-4941Y1-BK pump mounting bracket to the front of Case 2150 600 Gallon Tank Mount (421-4905Y1) using four (4) 1/2"x 4-1/2" hex head bolts, washers and flange nuts.
2. Mount PumpRight using four (4) 1/2"x 1-1/2" hex head bolts, washers and flange nuts.



Flow Indicator & Section Valve Mounting

Kit Description: Case 2150 Flow Indicator & Sentinel
Kit Number: 515-00-201300

ITEM NO.	PART NUMBER	DESCRIPTION	QTY.
1	300-080108-5	1/2" x 1-1/2" Hex Head Bolt - G5	7
2	323-08	1/2" Flange Nut	7
3	330-08	1/2" Flat Washer	7
4	400-5043Y1	Case 2150 Flowmeter Bracket	1

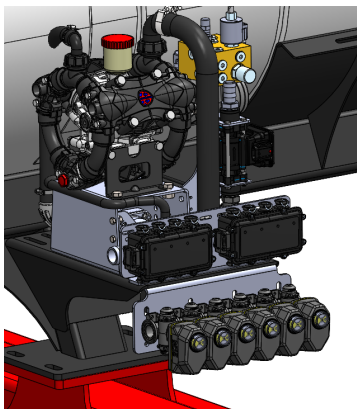


1. Mount 400-5043Y1 flowmeter bracket to the Case 2150 Front Pump Mount (457-4941Y1-BK) using three (3) 1/2"x 1-1/2" hex head bolts, washers and flange nuts.
2. Mount sentinel flow indicators with provided hardware.

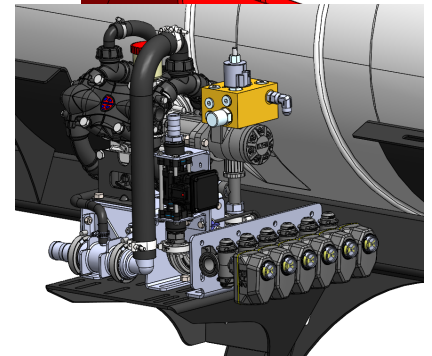
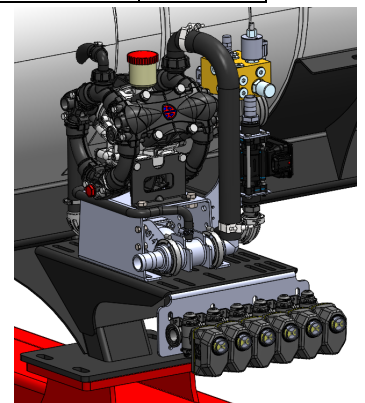
Kit Description: Case 2150 Section Valves
Kit Number: 515-00-201325

ITEM NO.	PART NUMBER	DESCRIPTION	QTY.
1	300-080108-5	1/2" x 1-1/2" Hex Head Bolt - G5	7
2	323-08	1/2" Flange Nut	7
3	330-08	1/2" Flat Washer	7
4	400-5044Y1	Case 2150 Section Valve Mounting Bracket	1

1. Mount 400-5044Y1 section valve mounting bracket to the Case 2150 Front Pump Mount (457-4941Y1-BK) using three (3) 1/2"x 1-1/2" hex head bolts, washers and flange nuts.
2. Mount section valves with provided hardware.



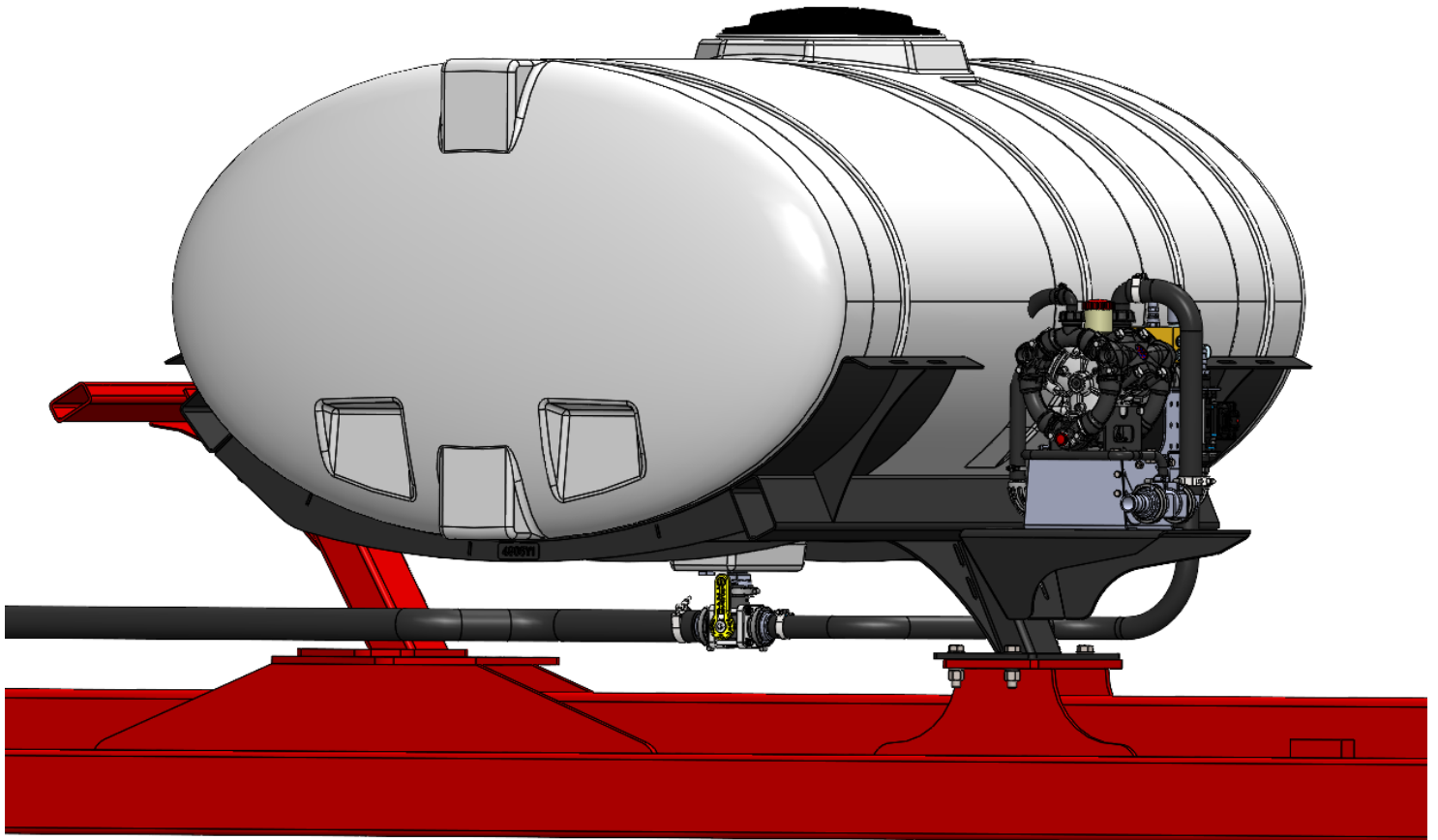
Shown with both options





Fill Kit

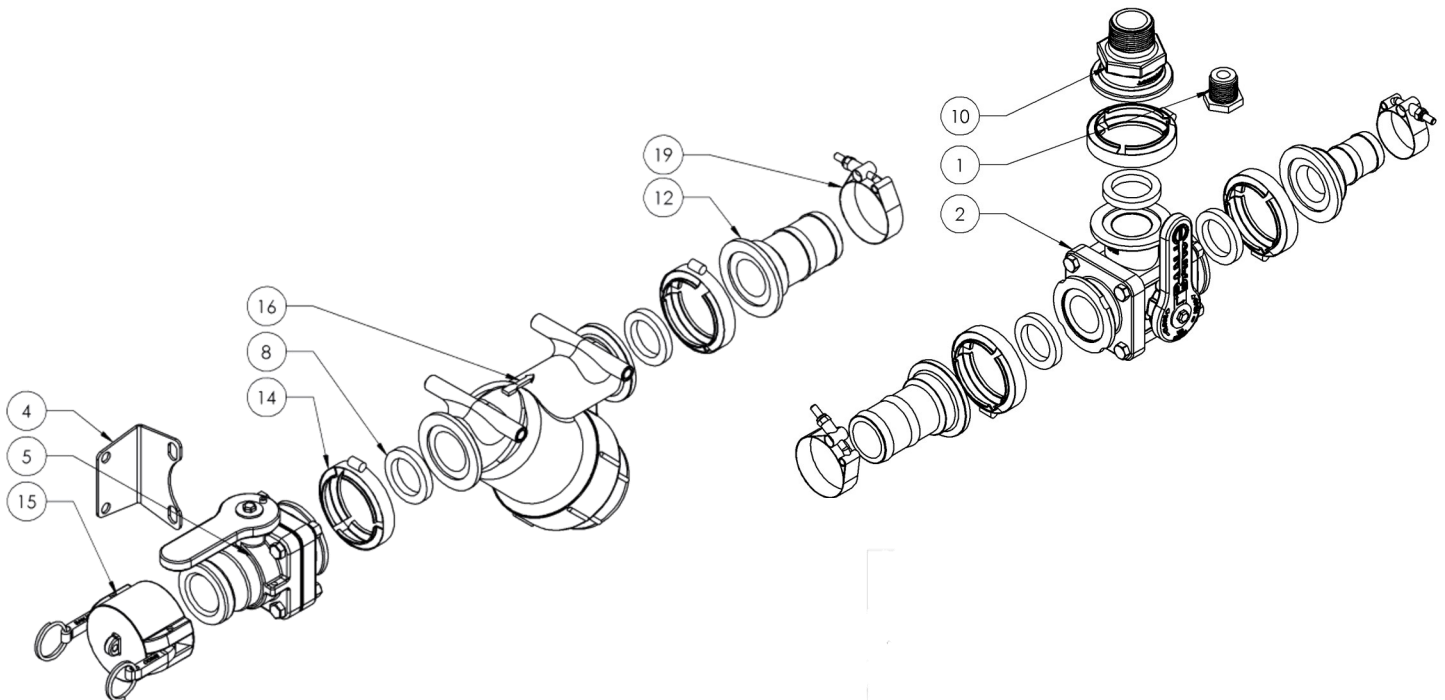
Kit Description: Case 2150 Fill/Discharge Tank Plumbing Kit
Kit Number: 520-00-200100





Fil Kit Parts List and Exploded View

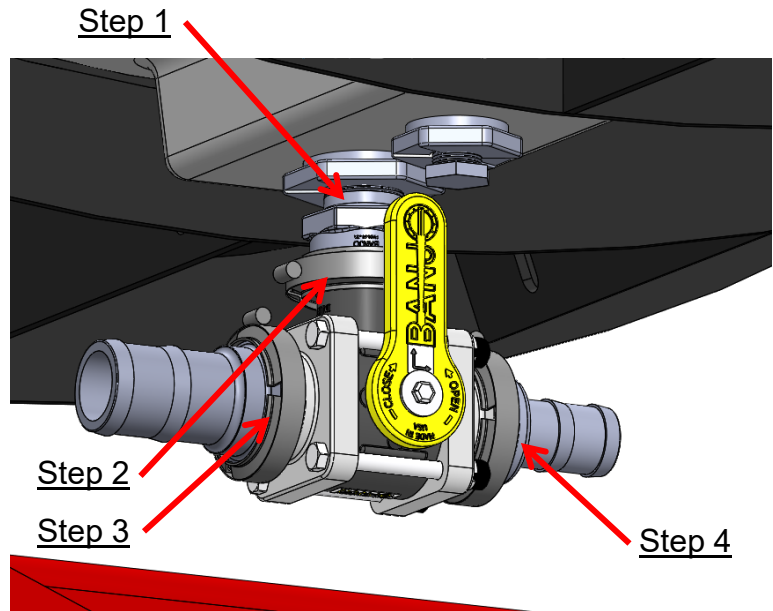
ITEM NO.	PART NUMBER	DESCRIPTION	QTY.
1	100-075PLUG	3/4" Pipe Plug	1
2	102-200MV-3SL	2" Manifold 3-Way Valve - Side Load	1
3	102-200VBR	2" Mounting Bracket - Straight	1
4	102-200VBR-90	2" Mounting Bracket - 90 Degree	1
5	102-200VSFCF	200 Series Manifold x 2" Male Quick Coupler Standard Port Poly Valve	1
6	105-100075BRB	1" Manifold x 3/4" HB	1
7	105-100G-H	1" EPDM Manifold Gasket	1
8	105-150G-H	1-1/2" EPDM Manifold Gasket for 200 Series Manifold Fittings	5
9	105-200100CPG	2" Manifold x 1" Manifold - Reducer Coupling	1
10	105-200125MPT	2" Manifold x 1-1/4" MPT	1
11	105-200150BRB	2" Manifold x 1-1/2" HB	1
12	105-200BRB	2" Manifold x 2" HB	2
13	105-FC100	1" Manifold Clamp	1
14	105-FC200	2" Manifold Clamp	5
15	106-200CAP	2" Cap	1
16	109-200MLS-50M	2" Manifold Y Strainer - 50 Mesh w/ 5/16" bolt holes for mounting	1
17	350-1208	SS Hose Clamp - Size 12 - 1-1/4" Diameter (fits 3/4" AG200)	2
18	350-TC181	Pressure Seal HD Clamp, Size 238 (fits 1 1/2" Enforcer)	2
19	350-TC231	Pressure Seal HD Clamp, Size 288 (fits 2" Enforcer)	2
20	384-1095	Hardware Kit - 3/8" Hex Cap Bolts and 3/8" Flange Nuts (Qty: 4)	1
21	384-1004	Hardware Kit - Qty 6 Size 12 x 1-1/4" Self Drilling Screws with Qty 4 5/16" Fender Washers	1
22	280-200-ENF	2" Enforcer Fertilizer Solution Hose	1



Step by Step Instructions

Fill/Discharge 3-Way Valve Assembly

1. Thread 2" Manifold x 1-1/4" MPT (Item 10) into 1-1/4" tank bung.
2. Connect 2" Manifold 3-Way Valve (Item 2) using EPDM gasket (Item 8) and manifold clamp (Item 14).
3. Attach 2" Manifold x 2" HB (Item 12) to valve using EPDM gasket and manifold clamp. *Note: The hose barb should be facing the rear of the planter.*
4. For PumpRight, use 2" Manifold x 1-1/2" HB (Item 11) and connect to valve using EPDM gasket and manifold clamp. For Tower, use 2" Manifold x 1" Manifold reducer coupling (Item 9) and 1" Manifold x 3/4" HB fitting (Item 6). Attach appropriate size hose using provided hose clamps (Item 17/18) and route to pump inlet.



Fill Kit Strainer Assembly

1. Remove nuts on 2" Quick Coupler Valve (Item 5) as required to fasten mounting brackets (Item 3 or Item 4) to valve and replace nuts, tighten. *(Straight and 90° bracket are provided for mounting location flexibility)*
2. Using the appropriate hardware kits (Item 20/21) fasten poly valve and mounting brackets to the planter, likely on the rear hitch or platform stairs.
3. Assemble the rest of the fill kit strainer assembly as shown.
4. Route 2" hose (Item 22) from strainer assembly 2" hose barb to tank opening 2" hose barb (Item 12) and tighten using two hose clamps (Item 19). Make sure to check hose routing for pinch points.

