



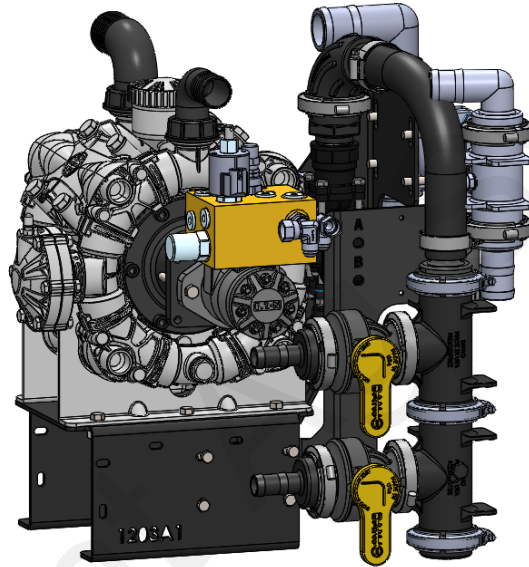
396-5470Y1

Gen3 Manual Dual Metering Tube Valve Bolt-On Kit for PR40/D250/PR80

Installation Instructions

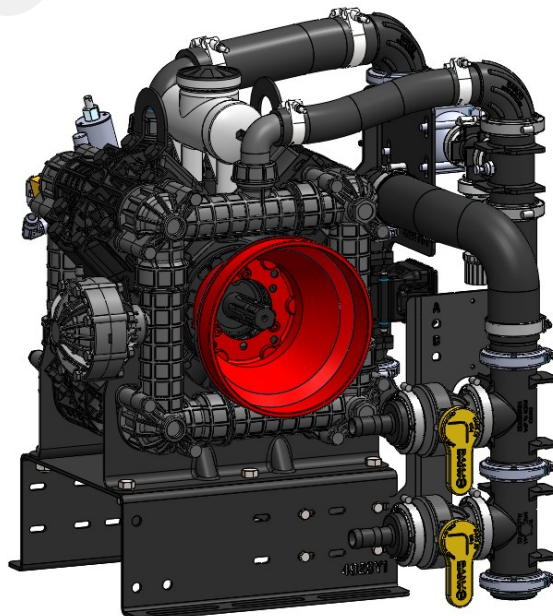
Kit Number: 522-03-100525

Kit Description: Gen3 Manual Dual Metering Tube Bolt-On Kit
(For PR40/D250)



Kit Number: 522-03-100530

Kit Description: Gen3 Manual Dual Metering Tube Bolt-On Kit
(For PR80)

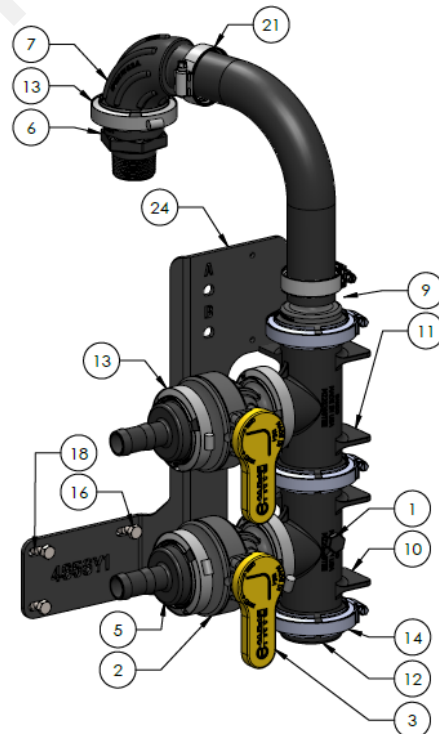




Parts List

Gen3 Manual Dual Metering Tube Bolt-On Kit 522-03-100525

ITEM NO.	PART NUMBER	DESCRIPTION	QTY.
1	100-025PLUG	1/4" Pipe Plug	1
2	104-MEVX200HX	MEVX 2" STUBBY VALVE ONLY	2
3	104-VP20153SH	Replacement Valve Short EVX Handle	2
4	105-150G	1-1/2" EPDM Gasket	5
5	105-200100BRB	2" Flange x 1" Hose Barb	2
6	105-200125MPT	2" Manifold x 1-1/4" MPT	1
7	105-200150BRBSWP90	2" Manifold x 1-1/2" HB Sweep 90 Degree	1
8	105-200G	2" EPDM Manifold Gasket for 220 Series Manifold Fittings	3
9	105-220125BRB	2" Full Port Manifold x 1-1/4" HB	1
10	105-220200TEE-025	2" Full Port Manifold x 2" Manifold Tee with 1/4" Tap	1
11	105-220200TEE	2" Full Port Manifold x 2" Manifold Tee	1
12	105-220PLG	2" Full Port Cap	1
13	105-FC200	2" Manifold Clamp	5
14	105-FC220	2" Full Port Manifold Clamp	3
15	280-150-3000S	1-1/2" 3000 Series Bulk	14
16	300-050100-5	5/16" x 1" Hex Head Bolt	4
17	321-1024	Size 10-24 Nylock	2
18	323-05	5/16" Flange Nut	4
19	331-M08	M8 Lock Washer	4
20	340-100012	Machine Screw - Size 10 x 3/4"	2
21	350-PS238	Pressure Seal HD Clamp, Size 238-1.625" - 2.125" (1-1/4" - 1-1/2" ENF, WBS or AG200 hose)	2
22	396-5470Y1	Gen3 Manual Metering Tube Valve Bolt-On Kit Instructions	1
23	398-25-4751Y1	Gen3 LiquiShift Decal	1
24	400-5800Y1-BK	Gen3 LiquiShift PR40 Valve Mounting Bracket	1
25	757-91280A530	M8 x 1.25 x 20MM Hex Head Bolt - 8.8	4

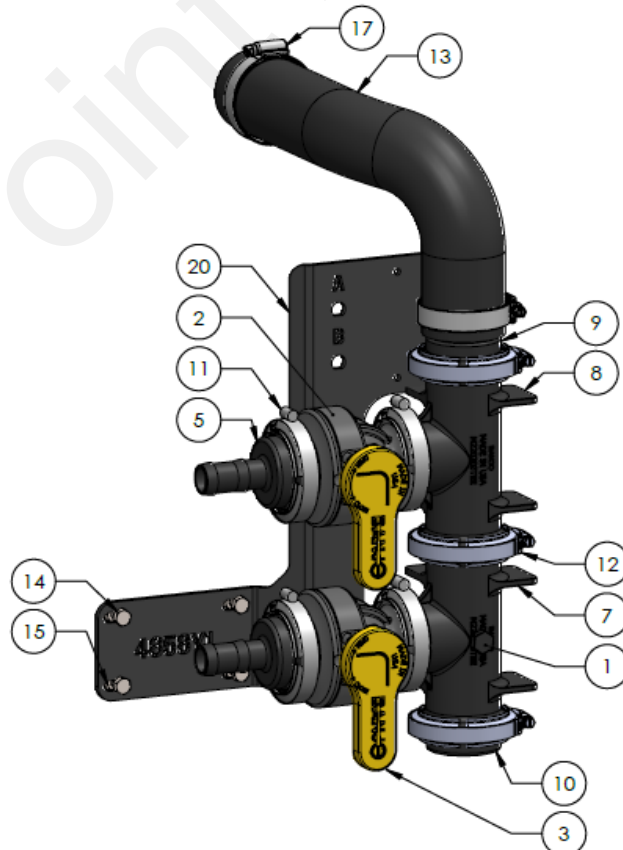




Parts List

Gen3 Manual Dual Metering Tube Bolt-On Kit 522-03-100530

ITEM NO.	PART NUMBER	DESCRIPTION	QTY.
1	100-025PLUG	1/4" Pipe Plug	1
2	104-MEVX200HX	MEVX 2" STUBBY VALVE ONLY	2
3	104-VP20153SH	Replacement Valve Short EVX Handle	2
4	105-150G	1-1/2" EPDM Gasket	4
5	105-200100BRB	2" Flange x 1" Hose Barb	2
6	105-200G	2" EPDM Manifold Gasket for 220 Series Manifold Fittings	3
7	105-220200TEE-025	2" Full Port Manifold x 2" Manifold Tee with 1/4" Tap	1
8	105-220200TEE	2" Full Port Manifold x 2" Manifold Tee	1
9	105-220BRB	2" Full Port Manifold x 2" HB	1
10	105-220PLG	2" Full Port Cap	1
11	105-FC200	2" Manifold Clamp	4
12	105-FC220	2" Full Port Manifold Clamp	3
13	280-200-3000S	2" 3000 Series Bulk	15"
14	300-050100-5	5/16" x 1" Hex Head Bolt - G5	4
15	323-05	5/16" Flange Nut	4
16	331-M08	M8 Lock Washer	4
17	350-PS288	Pressure Seal HD Clamp, Size 288 - 2.125" - 2.625" (2" ENF or WBS hose)	2
18	396-5470Y1	Gen3 Manual Metering Tube Valve Bolt-On Kit Instructions	1
19	398-25-4751Y1	Gen3 LiquiShift Decal	1
20	400-5800Y1	Gen3 LiquiShift PR40 Valve Mounting Bracket	1
21	757-91280A530	M8 x 1.25 x 20MM Hex Head Bolt - 8.8	4

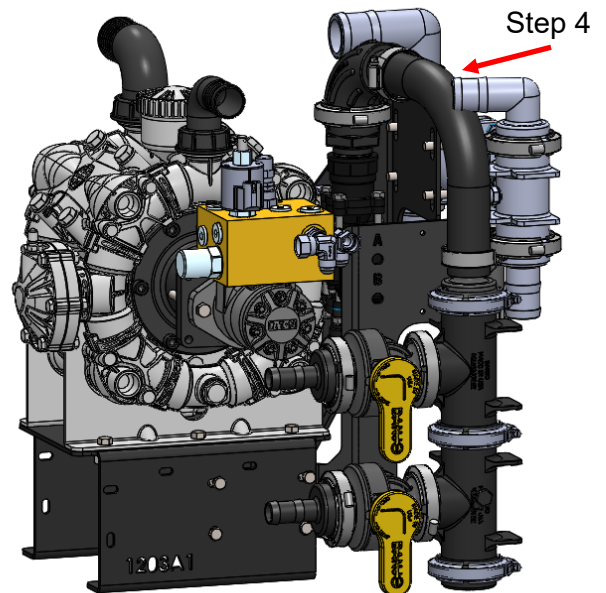
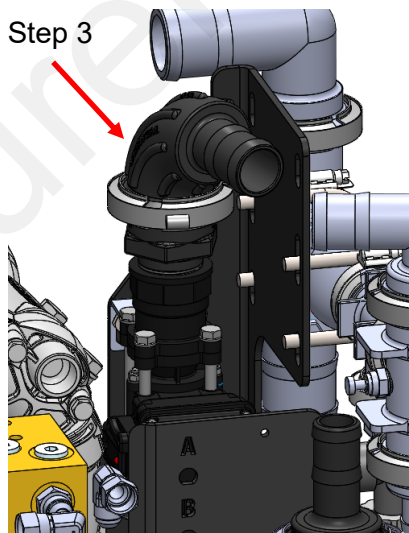
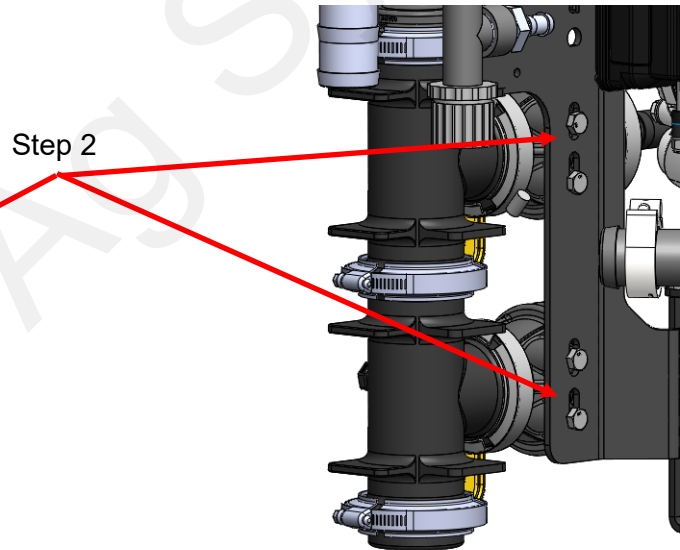
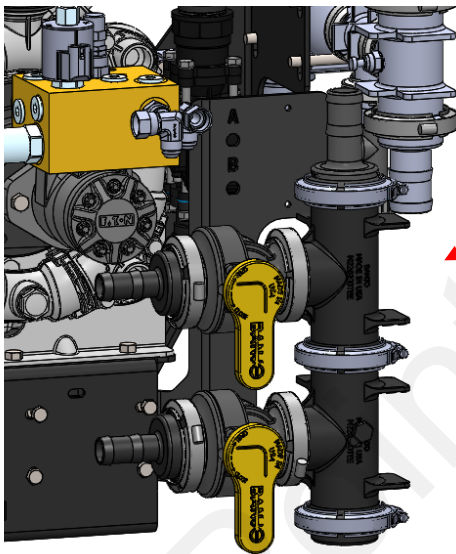
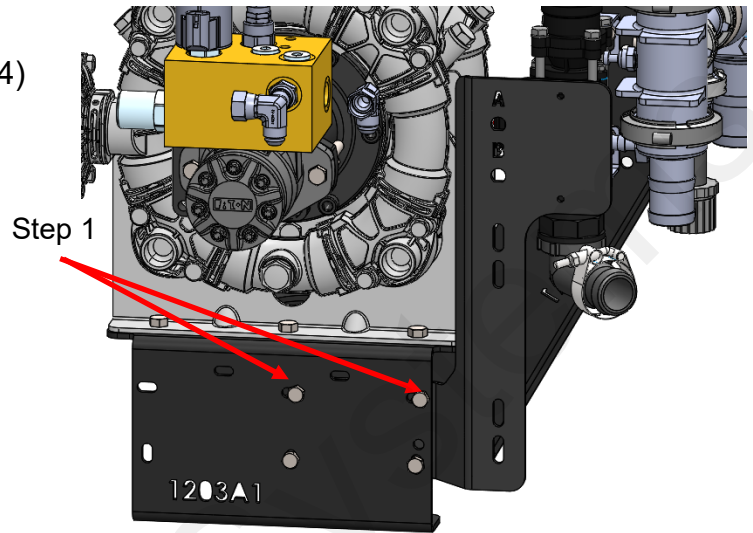




Step by Step Instructions

(For PR40/D250)

1. Mount 400-4656Y1 to the base of the pump, using four (4) 5/16" x 1" hex head bolts and flange nuts.
2. Assemble plumbing fittings as shown, using manifold clamps and gaskets, and mount to 400-4656Y1 using four (4) 20MM hex head bolts and lock washers.
3. Assemble fittings as shown and thread into flowmeter.
4. Route 1-1/2" hose and secure using hose clamps. (May require readjusting existing plumbing.)



Step by Step Instructions

(For PR80)

1. Mount 400-4656Y1 to the base of the pump, using four (4) 5/16" x 1" hex head bolts and flange nuts.
2. Assemble plumbing fittings as shown, using manifold clamps and gaskets, and mount to 400-4656Y1 using four (4) 20MM hex head bolts and lock washers.
3. Route 2" hose and secure using hose clamps.

