



396-4864Y1

Kinze 4905 16R Hitch Mounted Tank Kit Mounting Instructions

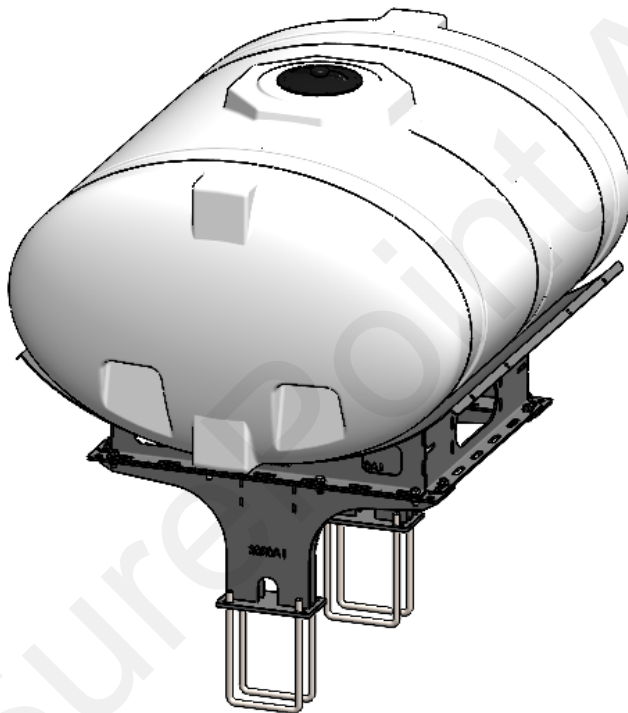
Planter Manufacturer: **KINZE**

Kit Number: 530-03-450140 (400 Gallon)

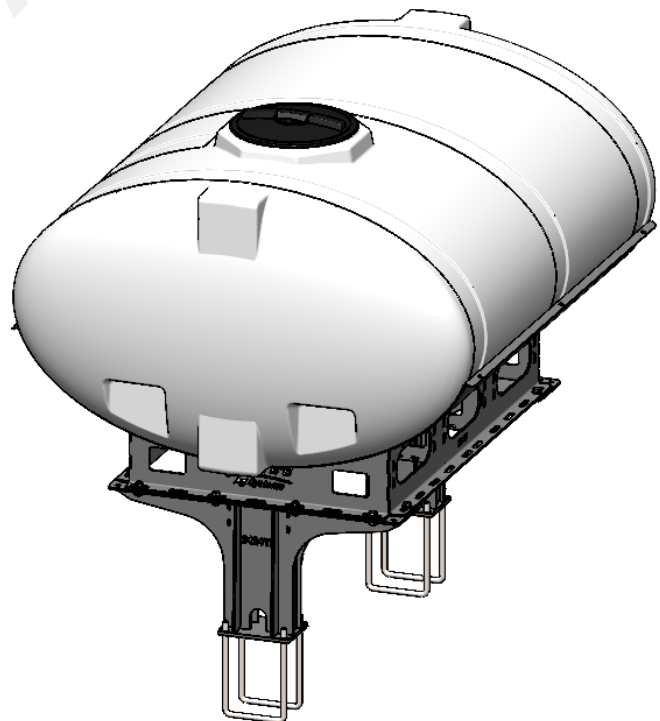
Kit Number: 530-03-450150 (500 Gallon - No Markers)

Kit Number: 530-03-450160 (600 Gallon - No Markers)

Kit Number: 530-03-450175 (750 Gallon - No Markers)



400/500 Gal

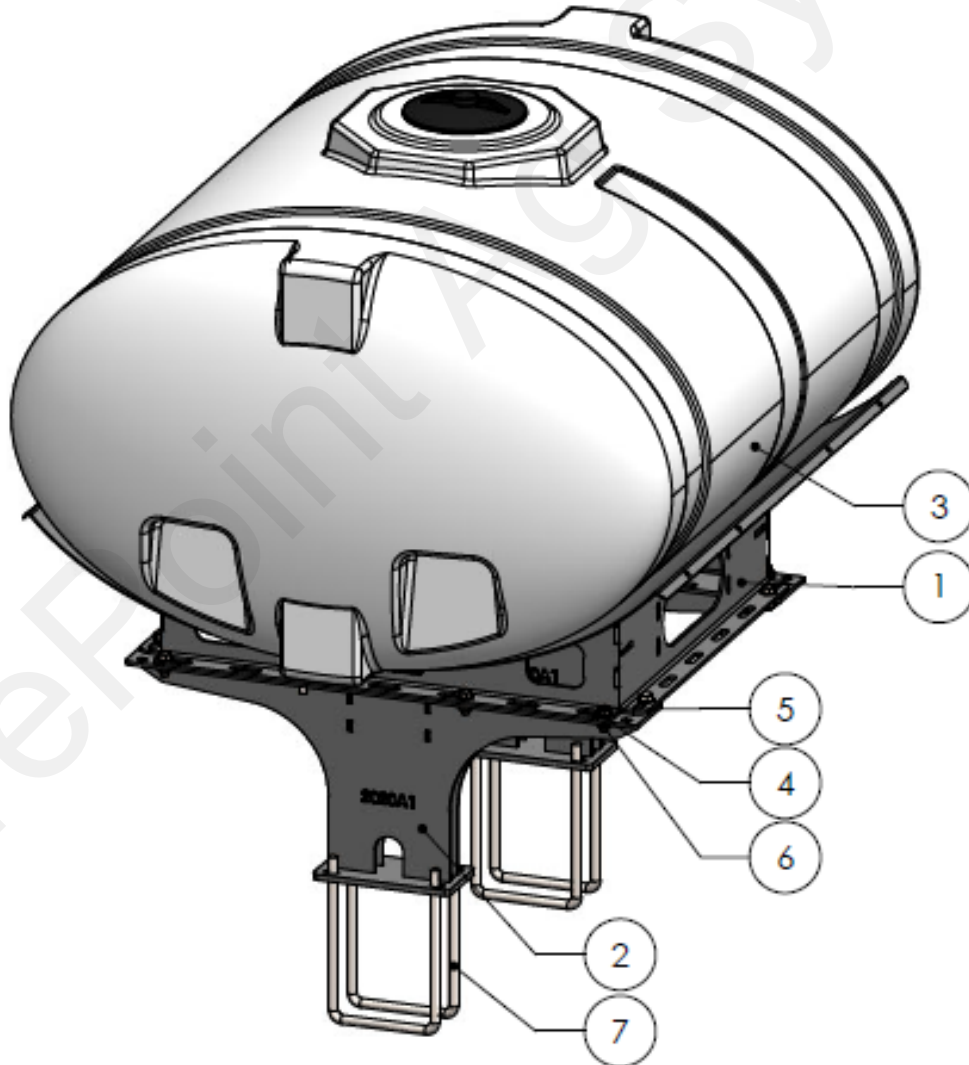


600/750 Gal



Parts List and Exploded View 530-03-450140

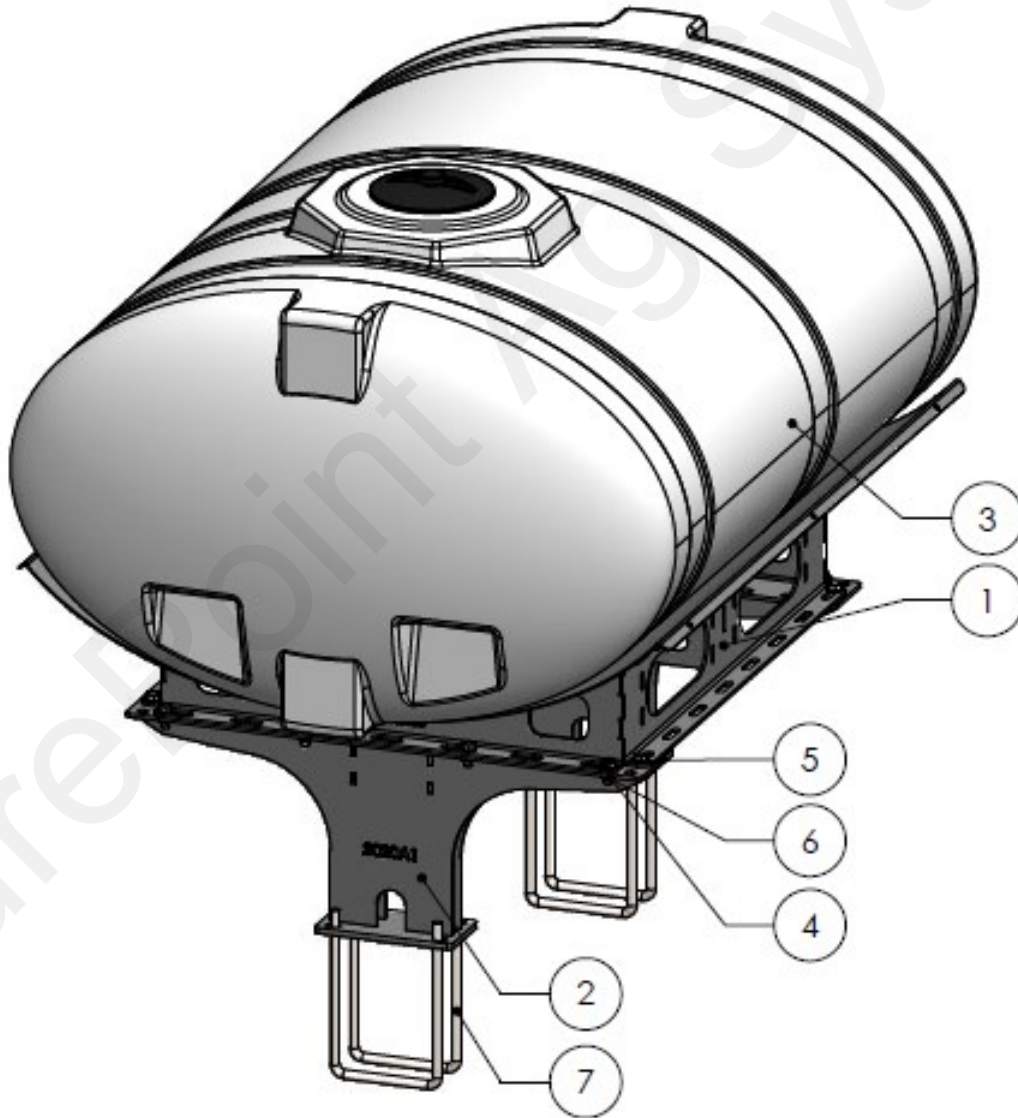
| ITEM NO. | PART NUMBER | DESCRIPTION | QTY. |
|----------|--------------------|--|------|
| 1 | 421-1333A2 | Elliptical Cradle - 400 Gallon | 1 |
| 2 | 421-2020A1 | Cradle Support Stand - 400/500 Gallon | 2 |
| 3 | 727-01-HE0400-57-W | Elliptical Tank - 400 Gal - White | 1 |
| 4 | 330-10 | 5/8" Flat Washer | 12 |
| 5 | 300-100108-5 | 5/8" x 1-1/2" Hex Head Bolt - G5 | 12 |
| 6 | 323-10 | 5/8" Flange Nut | 12 |
| 7 | 380-1066 | 3/4" U-bolt Kit - fits 8" x 12" tube - (8" opening) | 4 |
| 8 | 525-3000 | 3" Tank Strap Kit - 400/500 Gallon | 2 |





Parts List and Exploded View 530-03-450150

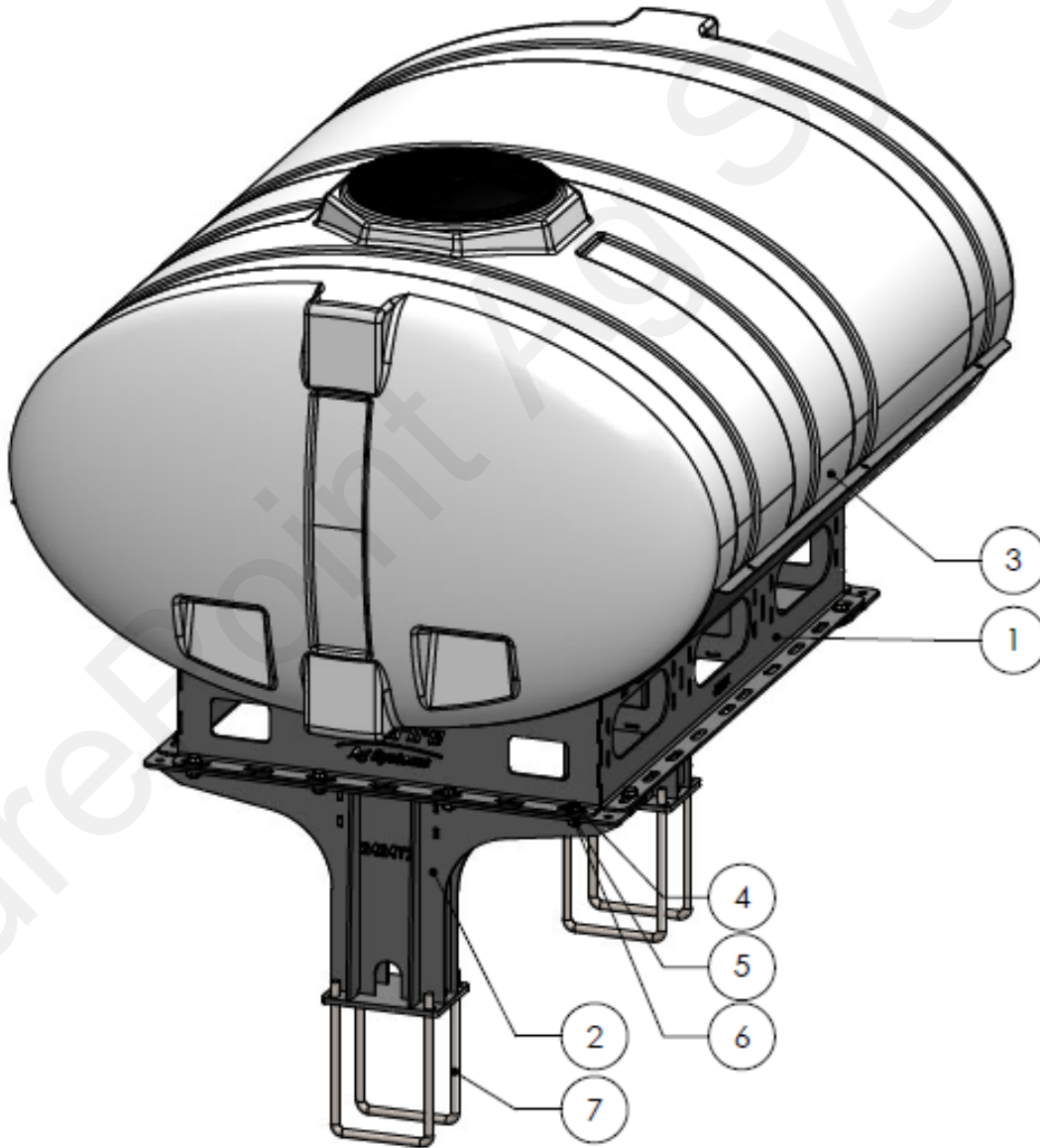
| ITEM NO. | PART NUMBER | DESCRIPTION | QTY. |
|----------|-----------------------|--|------|
| 1 | 421-1329A2 | Elliptical Cradle - 500 Gallon | 1 |
| 2 | 421-2020A1 | Cradle Support Stand - 400/500 Gallon | 2 |
| 3 | 727-01-HE0500-57-OS-W | Elliptical Tank - 500 Gal - White | 1 |
| 4 | 330-10 | 5/8" Flat Washer | 12 |
| 5 | 300-100108-5 | 5/8" x 1-1/2" Hex Head Bolt - G5 | 12 |
| 6 | 323-10 | 5/8" Flange Nut | 12 |
| 7 | 380-1066 | 3/4" U-bolt Kit - fits 8" x 12" tube - (8" opening) | 4 |
| 8 | 525-3000 | 3" Tank Strap Kit - 400/500 Gallon | 2 |





Parts List and Exploded View 530-03-450160

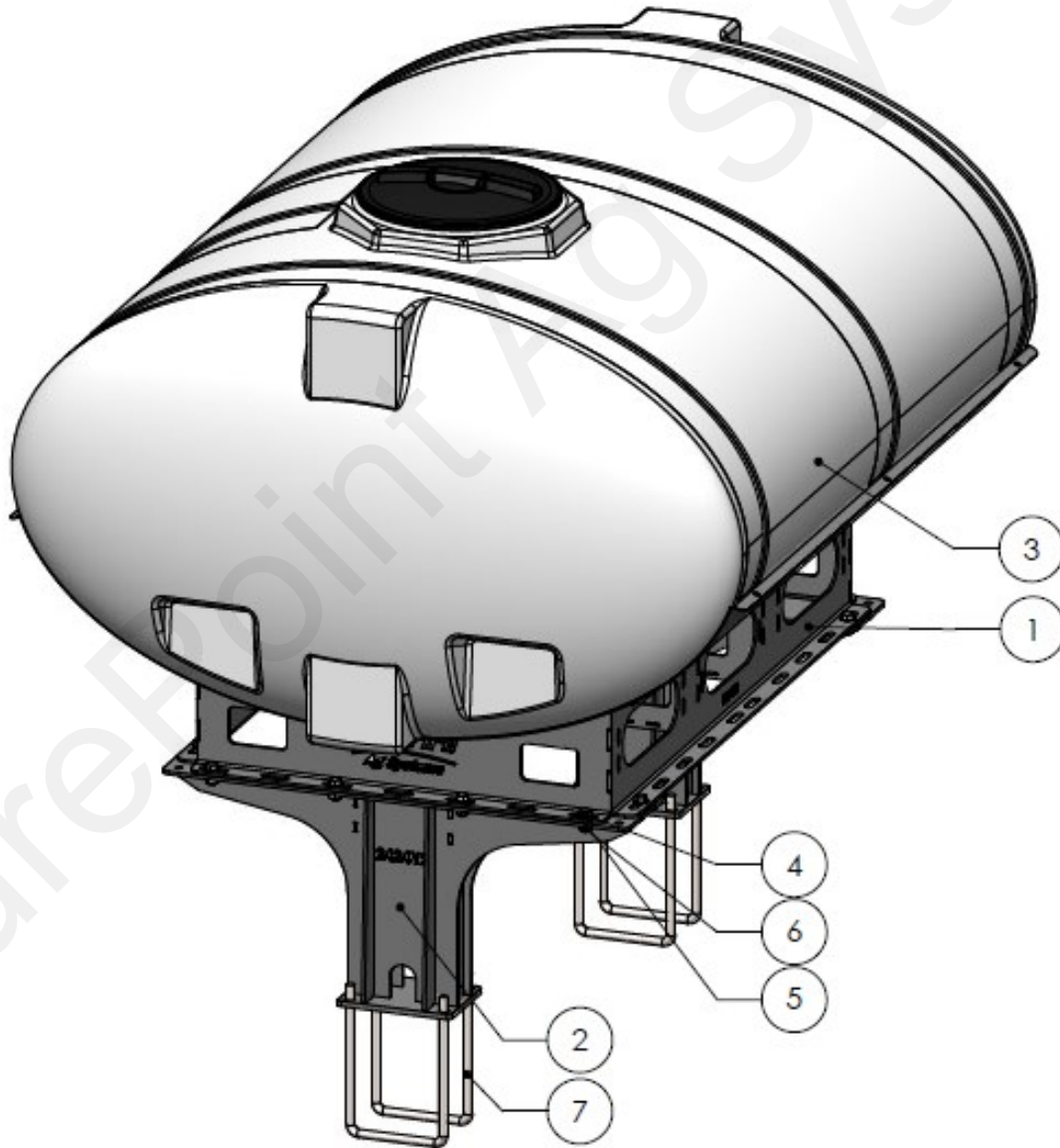
| ITEM NO. | PART NUMBER | DESCRIPTION | QTY. |
|----------|-----------------------|--|------|
| 1 | 421-4105Y1 | Elliptical Tank Cradle - 600 Gallon | 1 |
| 2 | 421-2424Y2 | 600/750 Gallon Tank Pedestal | 2 |
| 3 | 727-01-HE0600-64-CS-W | Elliptical Tank - 600 Gal - White | 1 |
| 4 | 300-100108-5 | 5/8" x 1-1/2" HCS | 12 |
| 5 | 323-10 | 5/8" Flange Nut | 12 |
| 6 | 330-10 | 5/8" Flat Washer | 12 |
| 7 | 380-1066 | 3/4" U-bolt Kit - fits 8" x 12" tube - (8" opening) | 4 |
| 8 | 525-750 | 3" Tank Strap Kit | 3 |





Parts List and Exploded View 530-03-450175

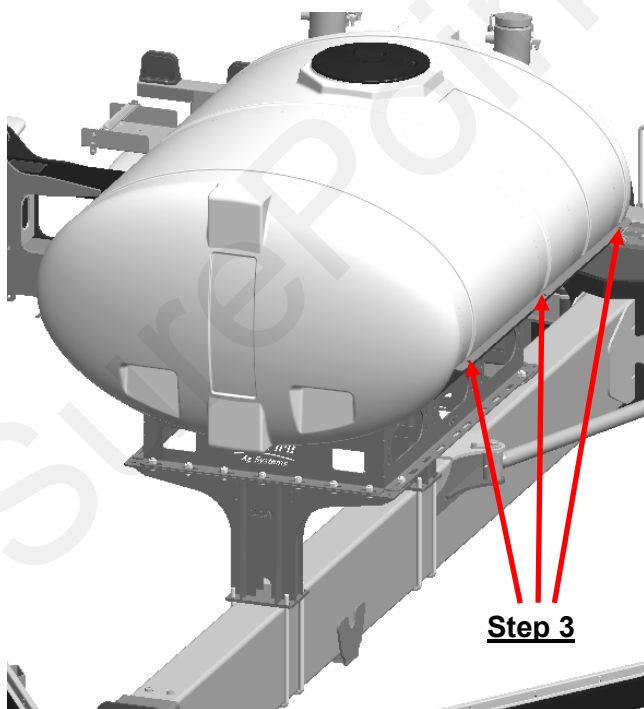
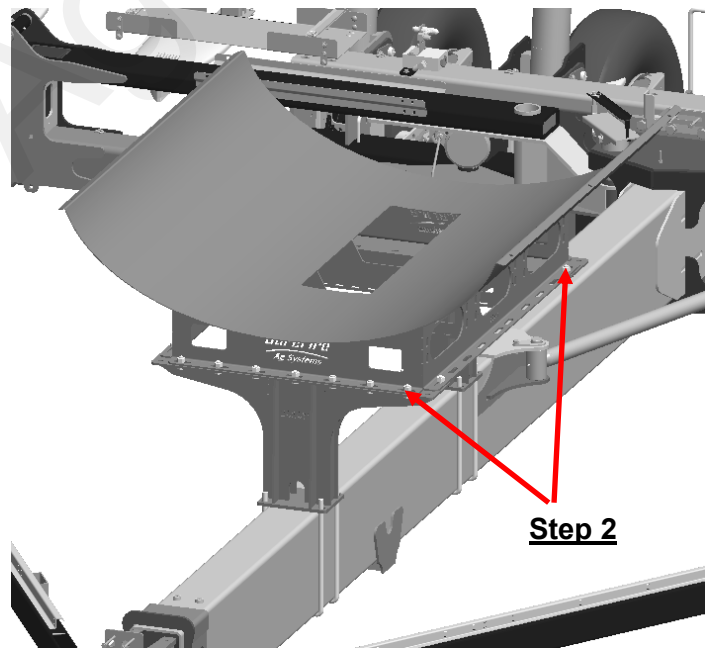
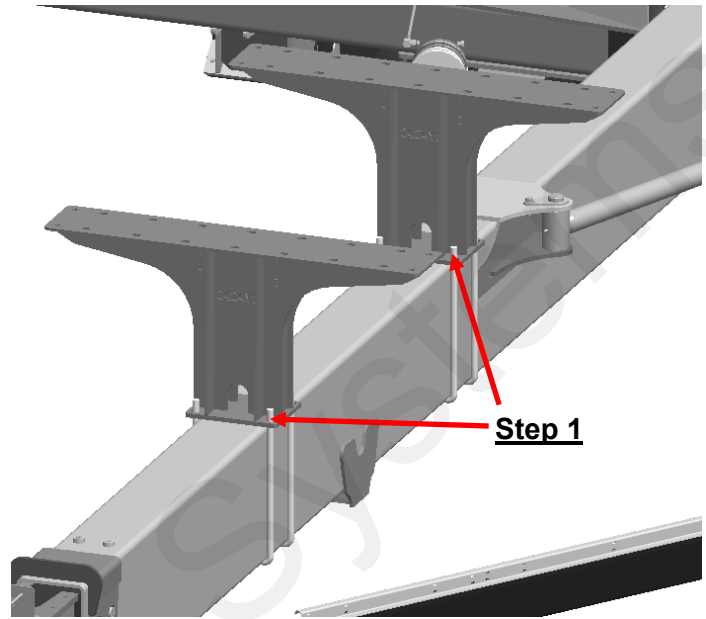
| ITEM NO. | PART NUMBER | DESCRIPTION | QTY. |
|----------|-----------------------|--|------|
| 1 | 421-2364Y1 | Elliptical Tank Cradle - 750 Gallon | 1 |
| 2 | 421-2424Y2 | 1775NT - 750 Gallon Tank Stand | 2 |
| 3 | 727-01-HE0750-69-OS-W | Elliptical Tank - 750 Gal - White | 1 |
| 4 | 300-100108-5 | 5/8" x 1-1/2" HCS | 24 |
| 5 | 330-10 | 5/8" Flat Washer | 24 |
| 6 | 323-10 | 5/8" Flange Nut | 24 |
| 7 | 380-1066 | 3/4" U-bolt Kit - fits 8" x 12" tube - (8" opening) | 4 |
| 8 | 525-750 | 3" Tank Strap Kit | 3 |





Step by Step Instructions

1. Loosely bolt the 3/4" U-Bolts on the pedestals and move rear pedestal toward the back of the planter until the rear U-Bolt touches the rear cylinder gusset. Loosely mount front bracket in front of the rear bracket to match your tank cradle profile.
2. Place the tank cradle on the pedestals and loosely bolt them together using the 5/8" bolts, washers, and nuts.
3. Place the tank in the cradle. Line the tank strap grooves up to the holes in the cradle. Use the tank strap kits to tighten the tank to the cradle.
4. Make sure the tank and cradle have proper clearance from CCS tanks (should be approximately 1 - 2" of clearance). Tighten down U-Bolts and all other hardware. **If your planter has markers, be sure to note the best point of marker clearance on your cradle.** If you attempt to fold the planter with the hitch all the way down you will be in danger of hitting the side of the tank with your markers. Be sure to raise the hitch as much as possible before folding to prevent any contact with the tank.
5. Tighten tank straps after first filling.





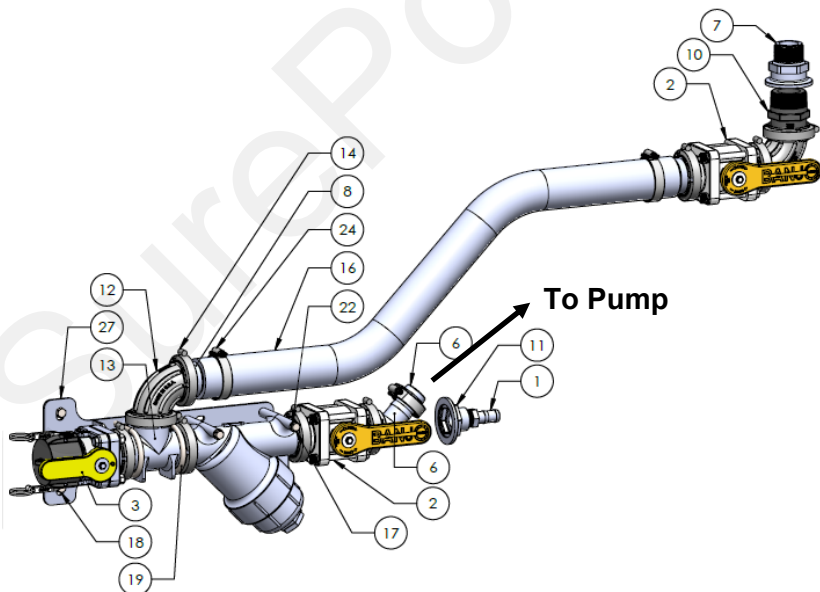
Kinze 4905 Fill Kit

Kit Number: 520-00-250500

Description: Kinze 4905 Hitch Tank 2" Fill/Discharge Kit

| ITEM NO. | PART NUMBER | DESCRIPTION | QTY. |
|----------|-----------------|---|------|
| 1 | 101-075075 | 3/4" MPT x 3/4" HB | 1 |
| 2 | 102-200MVCF | 2" Manifold Ball Valve | 2 |
| 3 | 102-200VSFCF | 200 Series Manifold x 2" Male Quick Coupler Std Port Valve | 1 |
| 4 | 105-150G | 1-1/2" EPDM Gasket | 9 |
| 5 | 105-200150BRB | 2" Manifold x 1-1/2" HB | 1 |
| 6 | 105-200150BRB45 | 2" Manifold x 1-1/2" HB - 45 Degree | 1 |
| 7 | 105-200150MPT | 2" Manifold x 1-1/2" Male | 1 |
| 8 | 105-200BRB | 2" Manifold x 2" HB | 3 |
| 9 | 105-200BRB45 | 2" Manifold X 2" HB - 45 Degree | 1 |
| 10 | 105-200MPT | 2" Manifold x 2" MPT | 1 |
| 11 | 105-200PLG075 | 2" Manifold Plug x 3/4" FPT | 1 |
| 12 | 105-200SWP90 | 2" Manifold Sweep - 90 Degree | 2 |
| 13 | 105-200TEE | 2" Flanged Tee Fitting | 1 |
| 14 | 105-FC200 | 2" Manifold Clamp | 9 |
| 15 | 106-200CAP | 2" Cap | 1 |
| 16 | 280-200-ENF | 2" Enforcer Fertilizer Solution Hose | 20' |
| 17 | 300-050508-5 | 5/16" x 5-1/2" Hex Head Bolt - G5 | 2 |
| 18 | 300-060100-5 | 3/8" x 1" Hex Head Bolt - G5 | 2 |
| 19 | 302-UB222 | M220 U-Bolt Assembly - 2 U-Bolt Kits | 1 |
| 20 | 323-05 | 5/16" Flange Nut | 2 |
| 21 | 323-06 | 3/8" Flange Nut | 2 |
| 22 | 330-05 | 5/16" Flat Washer | 2 |
| 23 | 350-PS238 | Pressure Seal HD Clamp, Size 238 - 1.625" - 2.125" (1-1/4" - 1-1/2" ENF, WBS or AG200 Hose) | 2 |
| 24 | 350-PS288 | Pressure Seal HD Clamp, Size 288 - 2.125" - 2.625" (2" ENF or WBS Hose) | 2 |
| 25 | 353-24 | 24" Zip Tie | 10 |
| 26 | 400-4583Y1-BK | Fertilizer Hose Support Bracket | 2 |
| 27 | 435-4974Y1 | Kinze 4905 Bulk Fill Stair Fill Kit Mounting Bracket | 1 |

*Strainer not included in kit



1. Mount the 435-4974Y1 bracket to the holes provided in the stairs using the 3/8" x 1" bolts and nuts.
2. Assemble the fill/discharge kit as shown below. Thread the correct size pipe threaded manifold into the bottom tank bung. Use the provided plug to plug the second bung.
3. Route the 2" enforcer hose from the fill port to the plumbing assembly under the tank. Make sure to keep the hose away from row units and any moving parts.

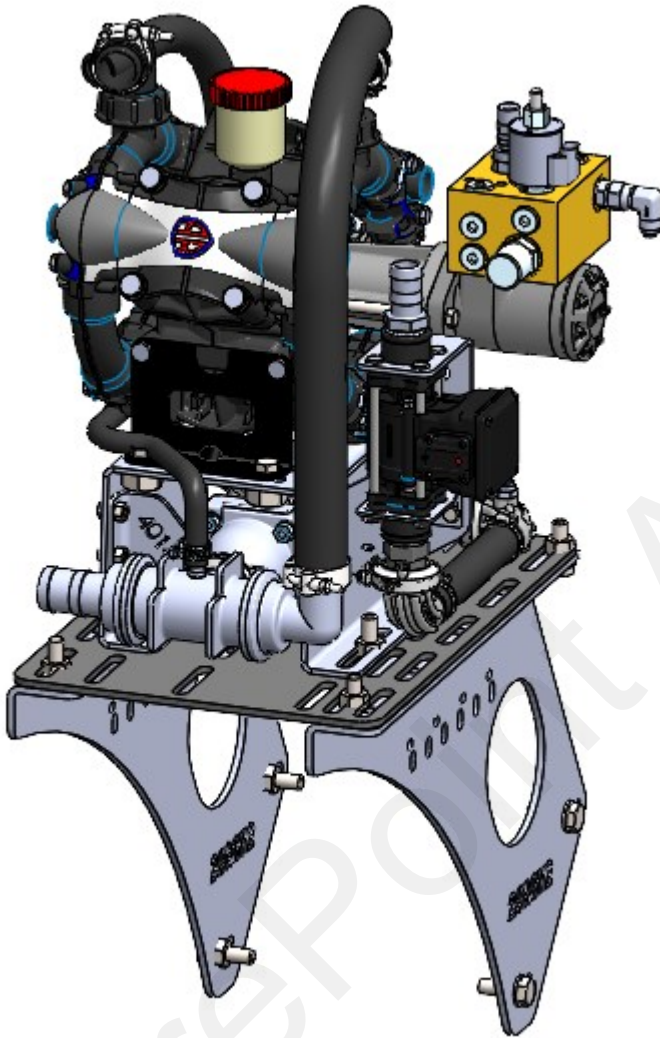


Over the Tire Pump Mounting Kit

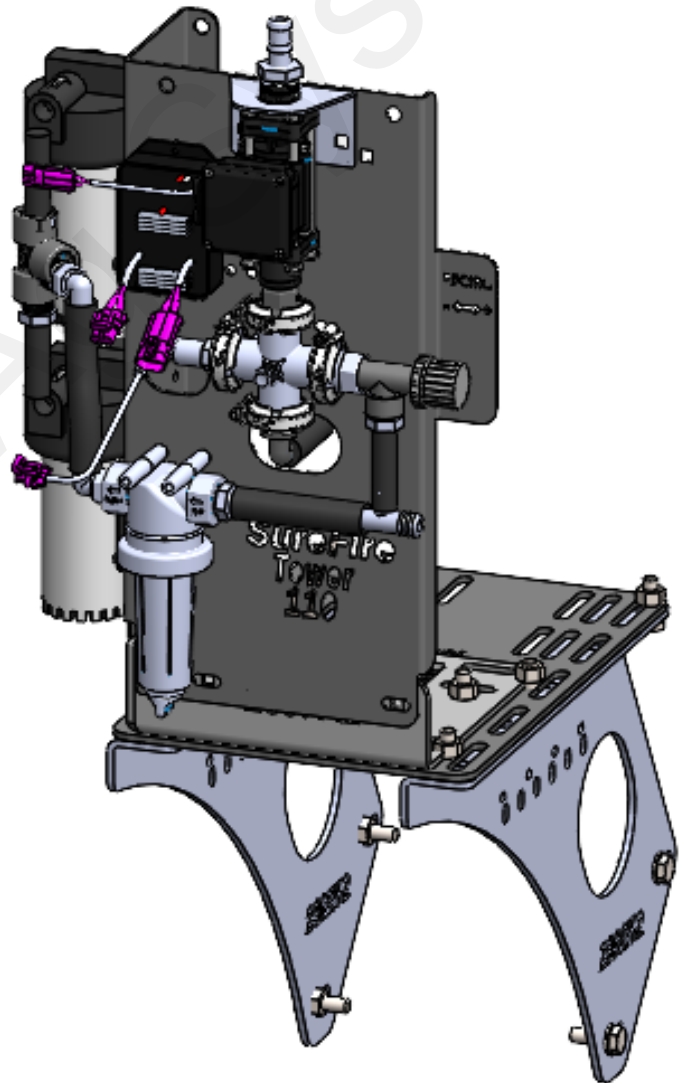
Kit Number: 515-03-201300

Description: Kinze 4905 12R/16R Over the Tire Pump Mounting Kit

Instruction Sheet: 396-2937Y1



PumpRight



Tower