



396-4049Y1

2" Full Port Flange Fill Kit Installation Instructions

Kit Number: 520-00-101750

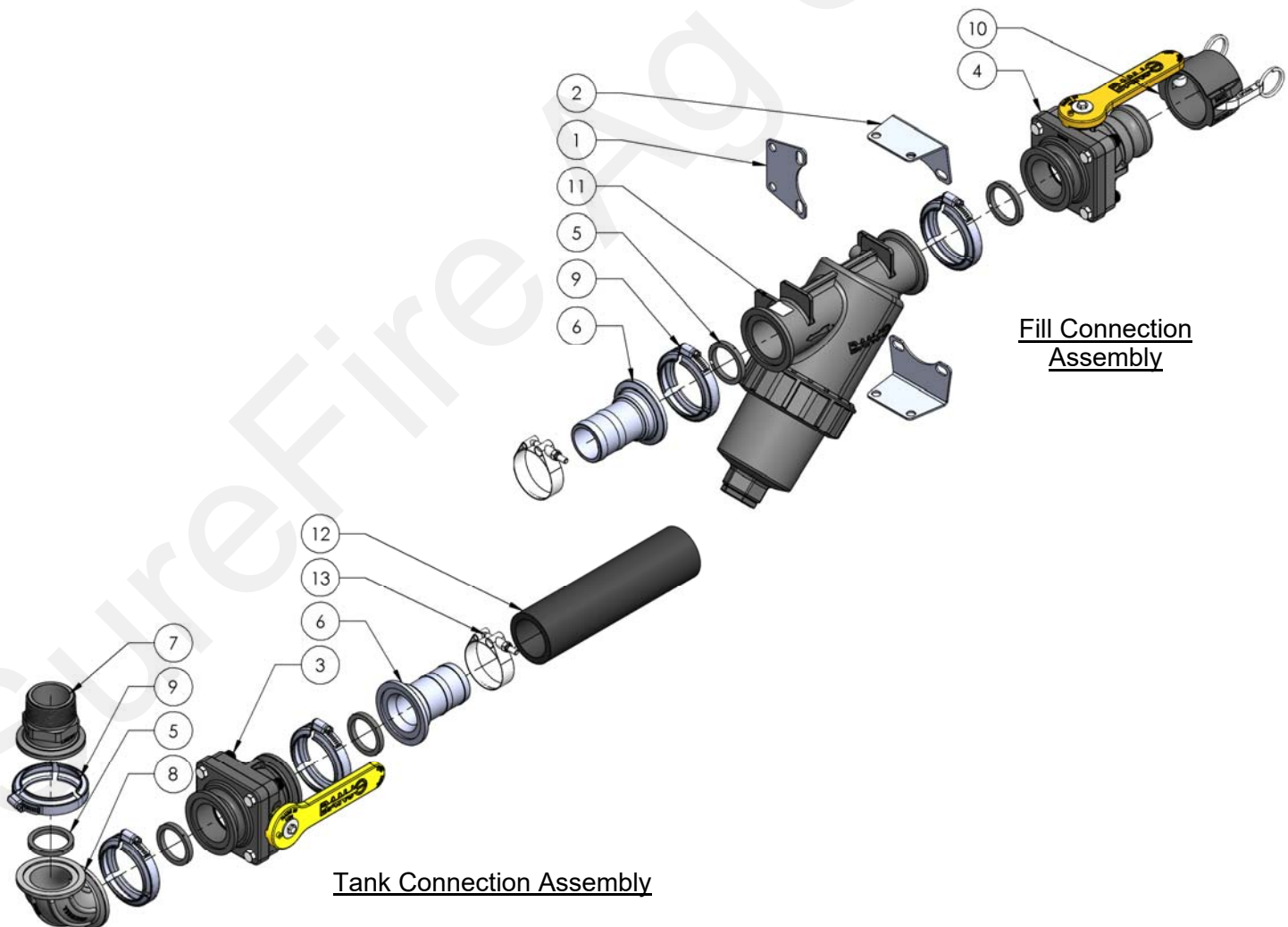
Kit Description: 2" Full Port Flange Fill Kit with 2" Hose





Parts List and Exploded View

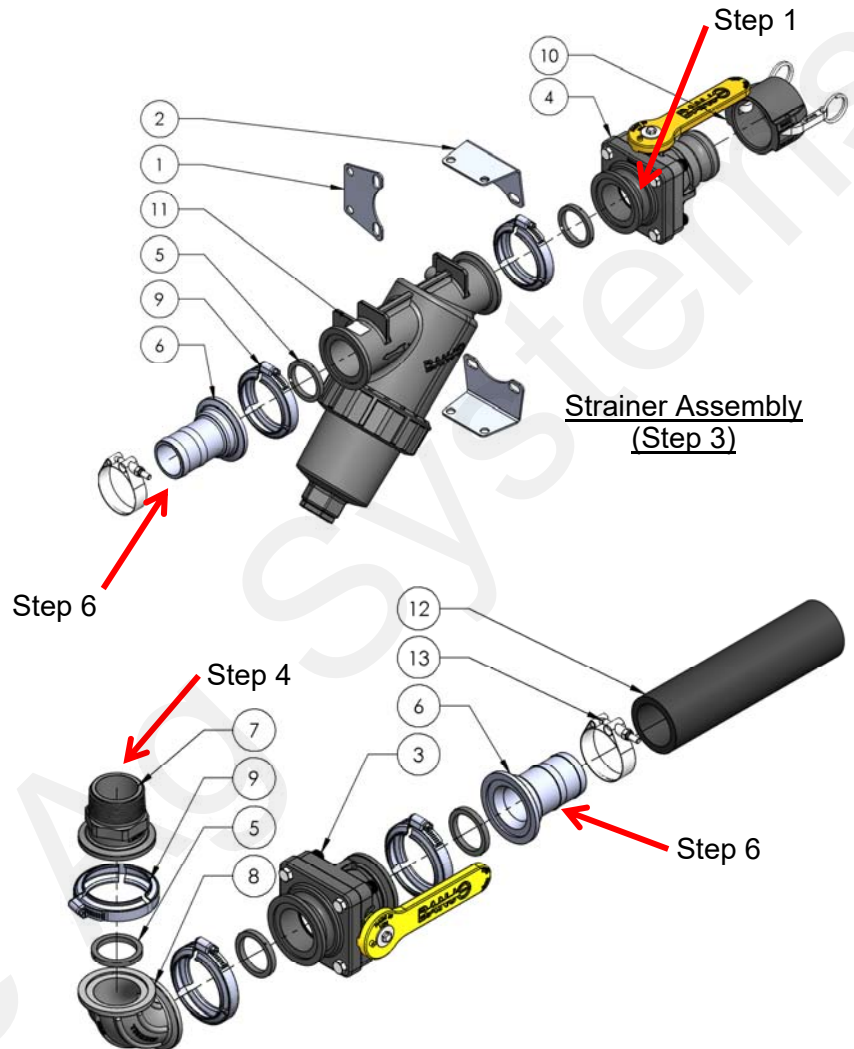
ITEM NO.	PART NUMBER	DESCRIPTION	QTY.
1	102-200VBR	2" Mounting Bracket - Straight	1
2	102-200VBR-90	2" Mounting Bracket - 90 degree	2
3	102-220MVSCF	2" Manifold Stubby Valve Full Port Poly Valve	1
4	102-220MVSFFP	220 Series Manifold x 2" Male Quick Coupler Full Port Poly Valve	1
5	105-200G	2" EPDM Gasket (For 220 Manifold Fittings)	5
6	105-220BRB	2" Full Port Manifold x 2" HB	2
7	105-200MPT	2" Manifold x 2" MPT	1
8	105-200SWP90	2" Manifold Sweep - 90 Degree	1
9	105-FC220	2" Full Port Manifold Clamp	5
10	106-200CAP	2" Cap	1
11	109-220MLS-20M	2" Full Port Manifold Y Strainer - 20Mesh w/ 5/16" bolt holes for mounting	1
12	280-200-ENF	2" Enforcer Fertilizer Solution Hose	20
13	350-TC231	T-Bolt Hose Clamp - 2.31 - 2.62" Diameter	2
14	333-0516	5/16" Fender Washer - 1" O.D.	6
15	341-120104	Self Drilling Screw - Size 12 x 1-1/4"	9
16	384-1095	Hardware Kit - 3/8" Hex Cap Bolts and 3/8" Flange Nuts (Qty: 4)	1





Step by Step Instructions

1. Remove nuts on Poly Valve as required to fasten mounting brackets to valve and replace nuts, tighten. *(Often, only one bracket is used to mount the fill valve. Straight and 90° bracket are shown to illustrate both options.)*
2. Using hardware kits, fasten poly valve mounting brackets to implement.
3. Continue to assemble fill kit strainer assembly as shown.
4. Thread 2" MPT fitting into tank opening.
5. Assemble tank valve manifold fittings as shown.
6. Route 2" hose from strainer assembly hose barb to tank opening hose barb and tighten with hose clamps.



Tank Connection Assembly