

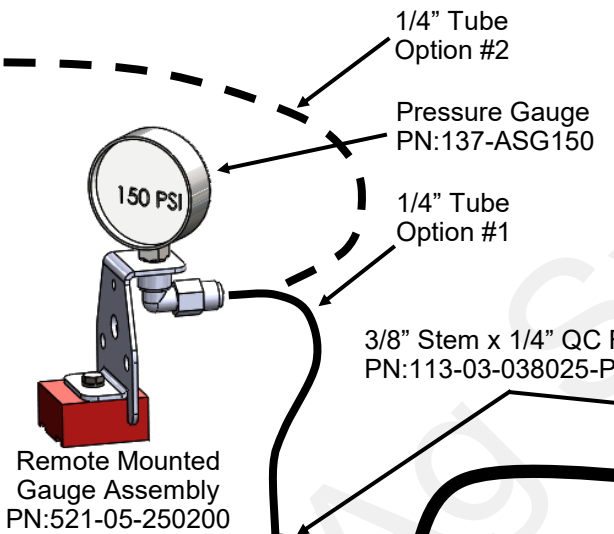
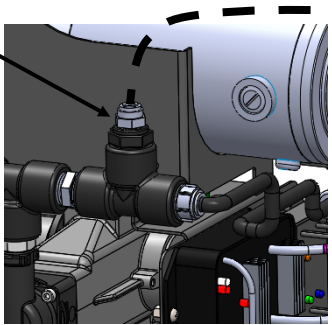


396-3440Y1

**Spartan Pump Assembly Bag Installation Instructions**  
**PN: 507-050000**



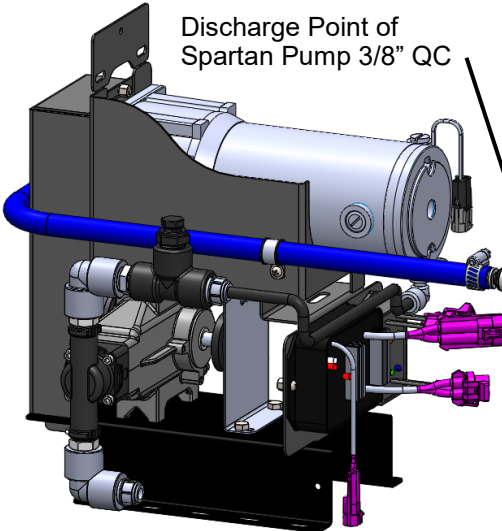
Optional Pressure Gauge/Sensor Port. Remove plug and install gauge/sensor or for remotely mounted gauge, install 1/4" MPT x 1/4" QC adapter fitting.



Air Bleed/Priming  
 1/4" or 3/8" Poly Tube

**NOTE:** Route air bleed towards the ground to a visible location away from the user.

**NOTE:** Keep length of tubing that is highlighted in RED to a minimum

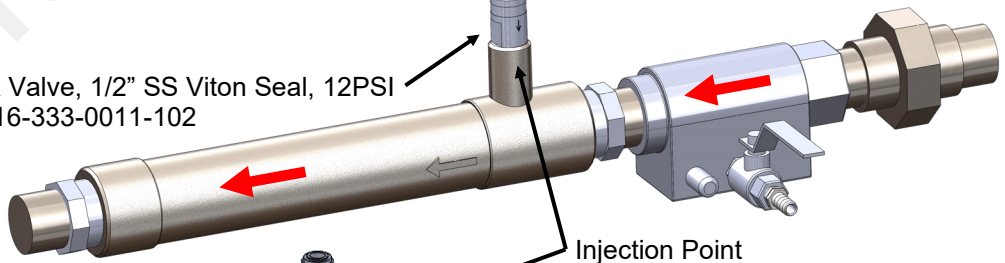


3/8" QC Equal Tee  
 PN:113-08-038038038

Check Valve, 1/2" SS Viton Seal, 12PSI  
 PN: 716-333-0011-102

1/4" or 3/8" Tube

Standard NH3 Mixing Chamber Kit



**NOTE:** When Injecting into a Mixing Chamber or Main Product Line with the Spartan Pump, you must use a One-Way Check Valve at the Injection Point to prevent back flow to the Spartan Pump. Must also use a check valve in line with the carrier product to prevent injecting chemical into the carrier product tank.

