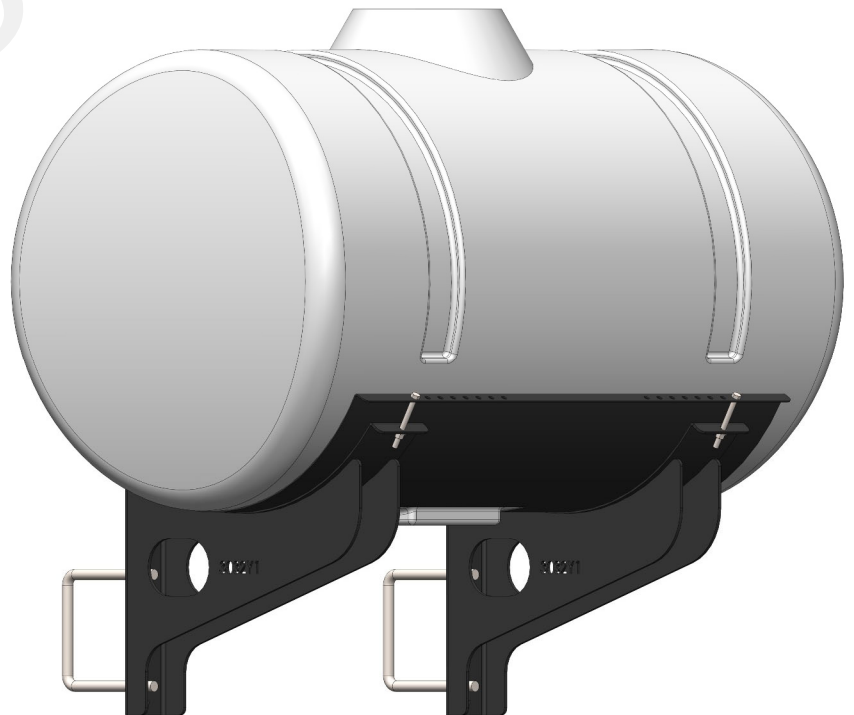
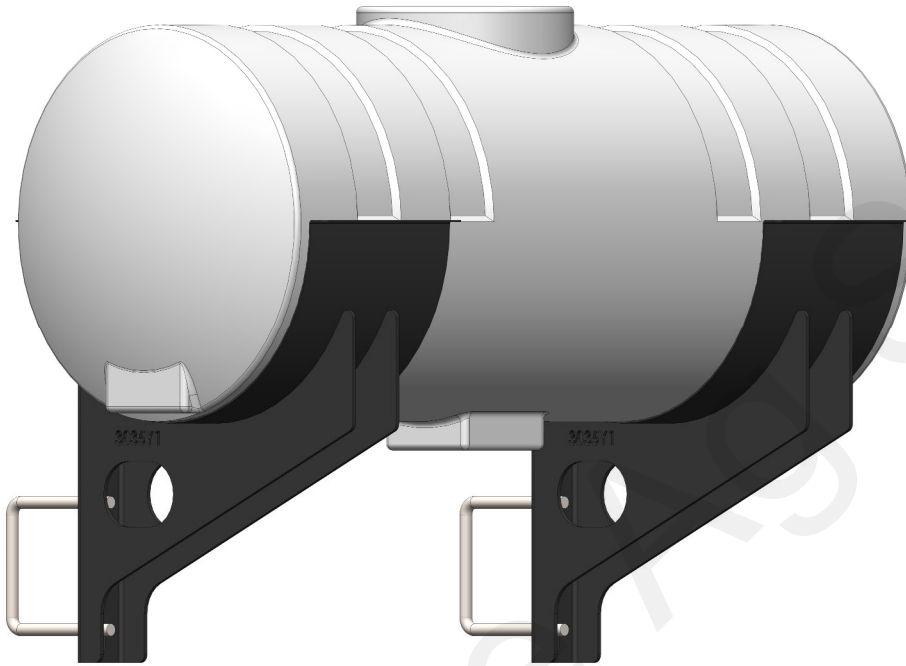




396-3090Y1

Offset Saddle Mounting Instructions for 23" and 32" Diameter Tanks

Planter Manufacturer: **KINZE** (Non - Split Row)





Parts List and Dimensions

100 Gallon Tank Kit

Kit Number:

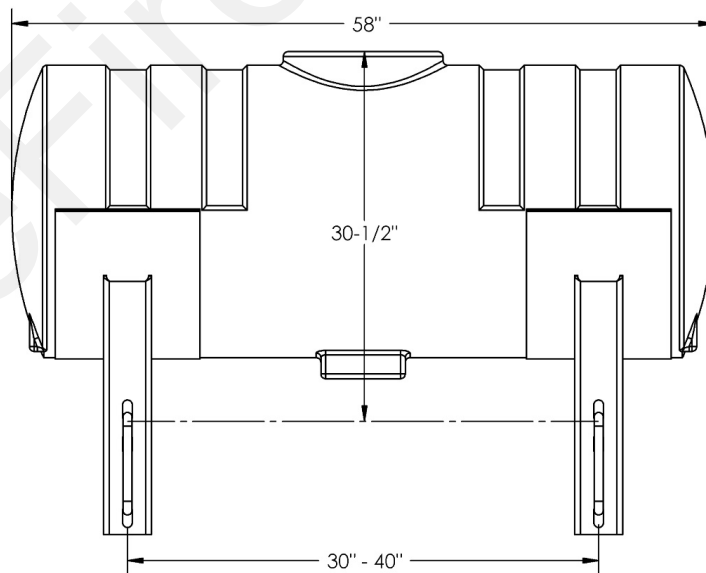
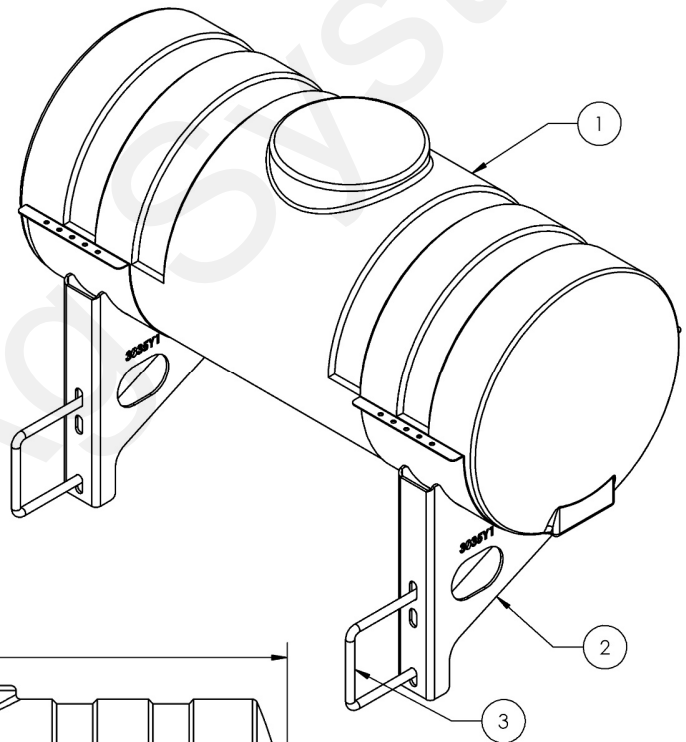
530-03-025100 - Non-Split Row Kinze - 100 Gal Tank Kit

ITEM NO.	PART NUMBER	DESCRIPTION	QTY.
1	727-02-HZ0100-23-W	100 Gallon 32"Ø Horizontal Tank	1
2	420-3035Y1	23"Ø Offset Tank Saddle	2
3	380-1060	3/4" x 7" x 8-1/2" Square Bend U-Bolt	2
4	525-2055	2" Tank Strap Kit	2

* U-Bolt Size May Vary Based on Planter Frame

Compatible with Kinze Models:

- 3000/3005**
- 3500/3505**
- 3600/3605**
- 3660/3665**





Parts List and Dimensions

150 Gallon Tank Kit

Kit Number:

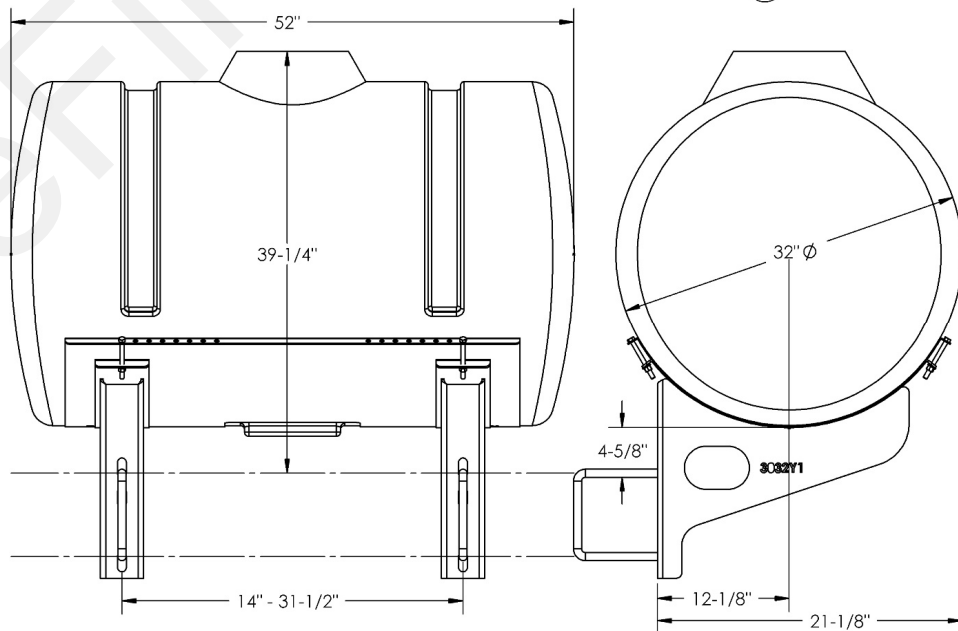
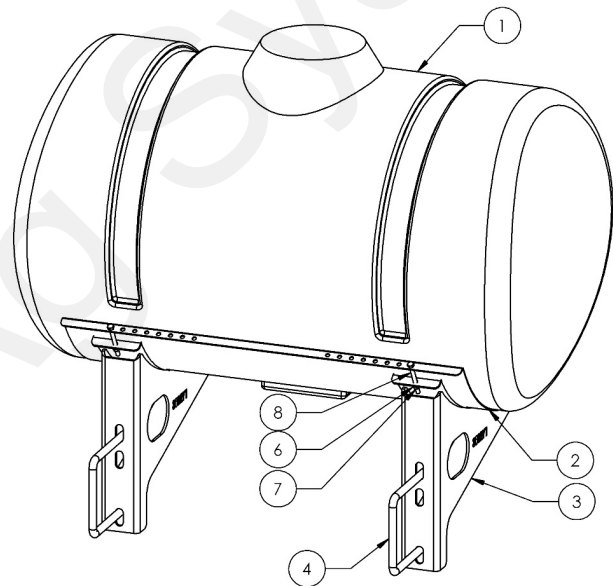
530-03-025150 - Non-Split Row Kinze - 150 Gal Tank Kit

ITEM NO.	PART NUMBER	DESCRIPTION	QTY.
1	727-02-HZ0150-32-W	150 Gallon 32"Ø Horizontal Tank	1
2	420-3003Y1	150 Gallon Round Tank Support Sheet	1
3	420-3032Y1	32"Ø Offset Tank Saddle	2
4	380-1060	3/4" x 7" x 8-1/2" Square Bend U-Bolt	2
5	300-060400-5	3/8" x 4" Hex Head Bolt - G5	4
6	330-06	3/8" Flat Washer	4
7	321-06	3/8" Nylock Nut	4
8	525-2055	2" Tank Strap Kit	2

* U-Bolt Size May Vary Based on Planter Frame

Compatible with Kinze Models:

- 3000/3005**
- 3500/3505**
- 3600/3605**
- 3660/3665**





Parts List and Dimensions

200 Gallon Tank Kit

Kit Number:

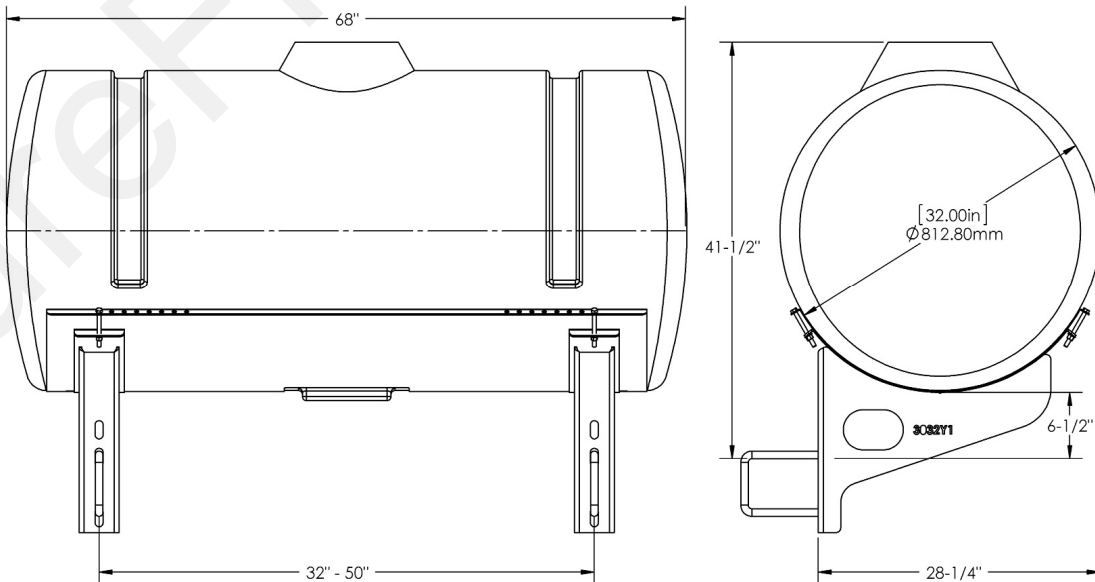
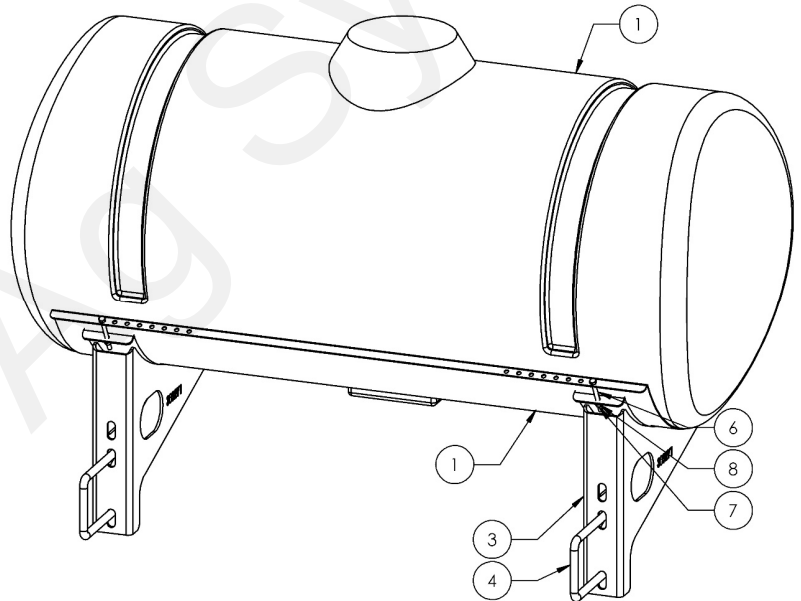
530-03-025200 - Non-Split Row Kinze - 200 Gal Tank Kit

ITEM NO.	PART NUMBER	DESCRIPTION	QTY.
1	727-02-HZ0200-32-W	200 Gallon 32"Ø Horizontal Tank	1
2	420-3002Y1	200 Gallon Round Tank Support Sheet	1
3	420-3032Y1	32"Ø Offset Tank Saddle	2
4	380-1060	3/4" x 7" x 8-1/2" Square Bend U-Bolt	2
5	300-060400-5	3/8" x 4" Hex Head Bolt - G5	4
6	330-06	3/8" Flat Washer	4
7	321-06	3/8" Nylock Nut	4
8	525-2055	2" Tank Strap Kit	2

* U-Bolt Size May Vary Based on Planter Frame

Compatible with Kinze Models:

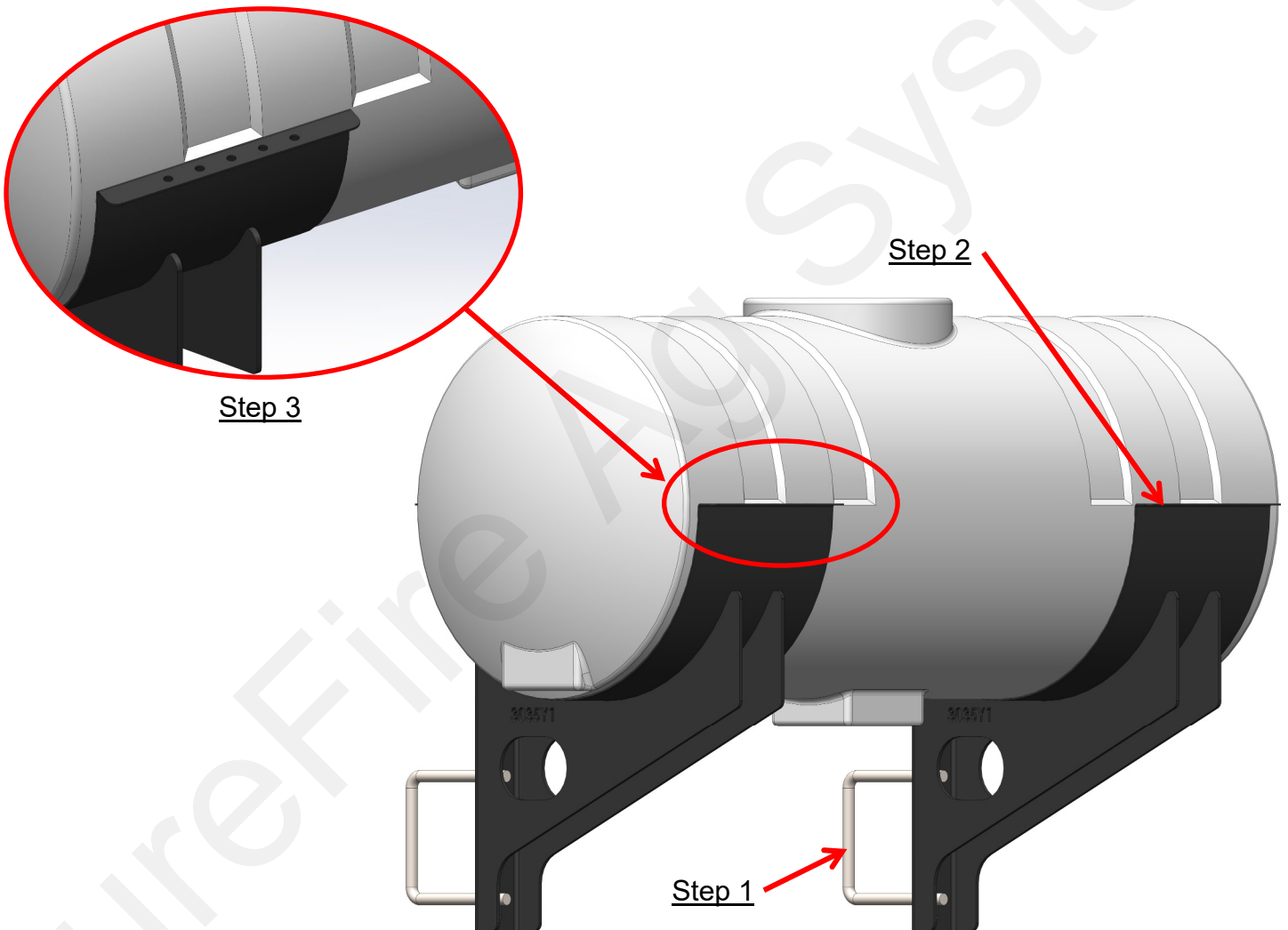
3600/3605
3660/3665





Step by Step Instructions 100 Gallon Tank

1. Use two square bend u-bolts to loosely attach offset tank saddle bracket to planter frame. *Note: U-bolt size may vary depending on desired mounting location and planter frame size. Offset bar mount saddles should be placed approximately 30" - 40" apart.*
2. Place the tank in saddles and check for tank clearance. Adjust offset bar saddles as necessary to line up the holes on the tank saddles and the grooves in the tank for tank straps.
3. Attach 525-2055 tank strap kits and tighten bolts. Make sure to re-tighten straps after the tank has been filled.





Step by Step Instructions

150 - 200 Gallon Tank

1. Use two square bend u-bolts to loosely attach offset tank saddle bracket to planter frame. *Note: U-bolt size may vary depending on desired mounting location and planter frame size. Offset bar mount saddles should be placed approximately 14" - 31-1/2" apart for the 150 gallon saddles and 32"-50" apart for the 200 gallon saddles.*
2. Place tank support sheet and tank in saddle. *Note: Part number for tank support sheet may vary based on tank size.*
3. Check for tank clearance and adjust offset bar saddles as necessary to line up the holes on the tank saddles and tank support sheet. *Note: One hole will line up with the grooves in the tank for the tank straps. Any of the other holes can be used to bolt the tank support sheet to the tank saddle.*
4. Attach tank support sheet to saddles using four (4) 3/8" x 4" hex head bolts, flat washers and nylock nuts.
5. Attach 525-2055 tank strap kits and tighten bolts. Make sure to re-tighten straps after the tank has been filled.

