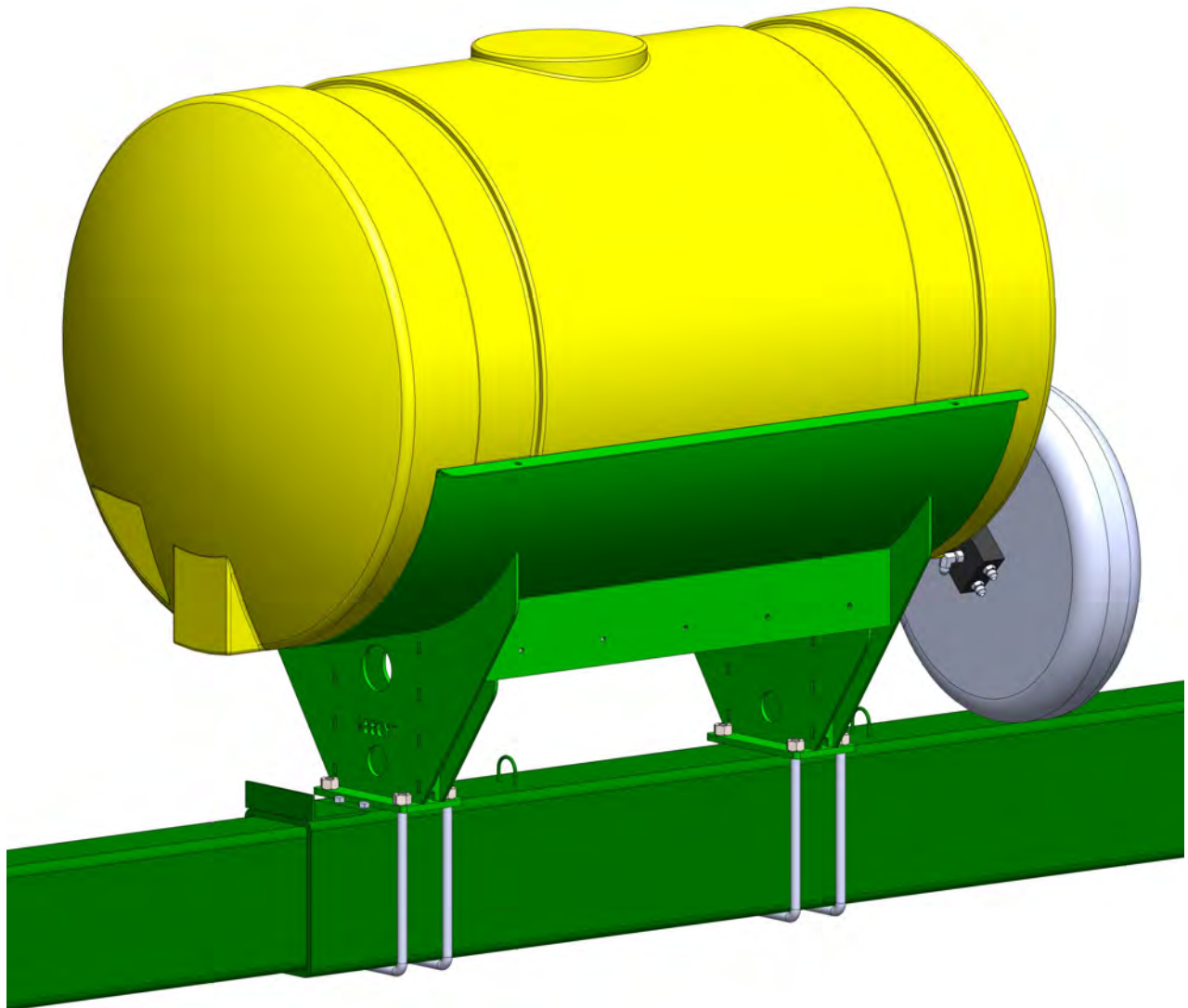




# 396-2874Y1

## John Deere 30' 1790/1795 400 Gallon Hitch Mounted Tank Instructions

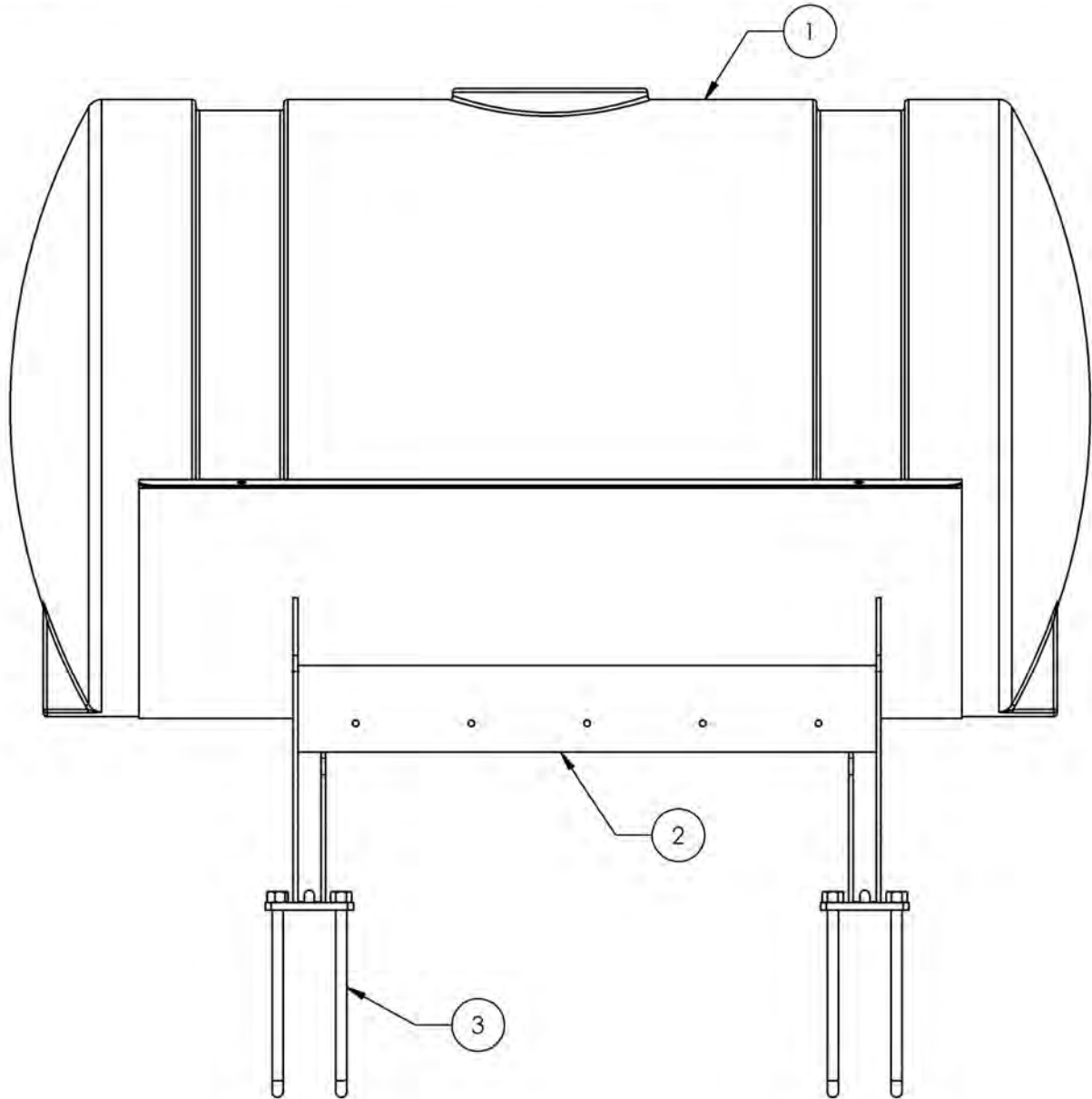
Kit Number: 530-01-350300





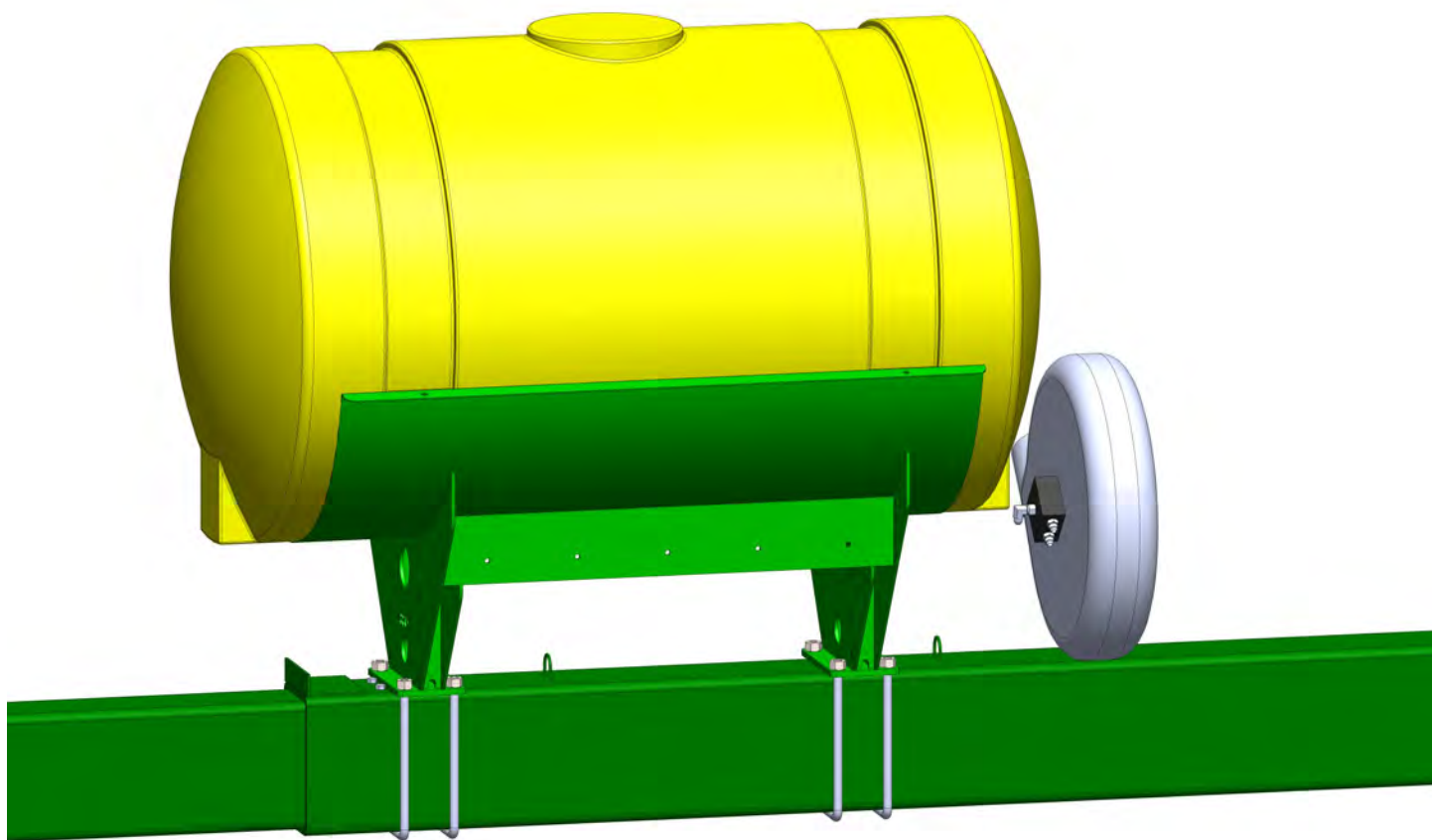
# Parts List and Exploded View

ITEM NO.	PART NUMBER	DESCRIPTION	QTY.
1	727-02-400APPY	Horizontal Tank - 400 Gal - Yellow	1
2	421-2880Y1-GN	JD 1795 Hitch Mount - 400 Gallon Round Tank Cradle	1
3	380-1066	3/4" x 8" x 13-1/2" Square Bend U-Bolt Kit	4
4	525-3000	3" Tank Strap Kit for 400 - 500 Gallon Tanks	2





# Step by Step Instructions



1. Loosely attach 400-2088Y1 tank cradle on John Deere 8"x12" hitch using four (4) 3/4" x 8" x 13-1/2" square bend u-bolts. Note: See next page for dimensions and further mounting instructions.
2. Install tank and secure with tank straps.
3. Inspect tank and tank brackets for interference when folding the planter and tighten all u-bolts.
4. Tighten straps again after the tank has been filled.

*John Deere 1790/1795 planter must be ordered as the fertilizer frame option. Standard planter markers will interfere with tank mounting without modification.*



# 400 Gallon Tank Installation Guide

