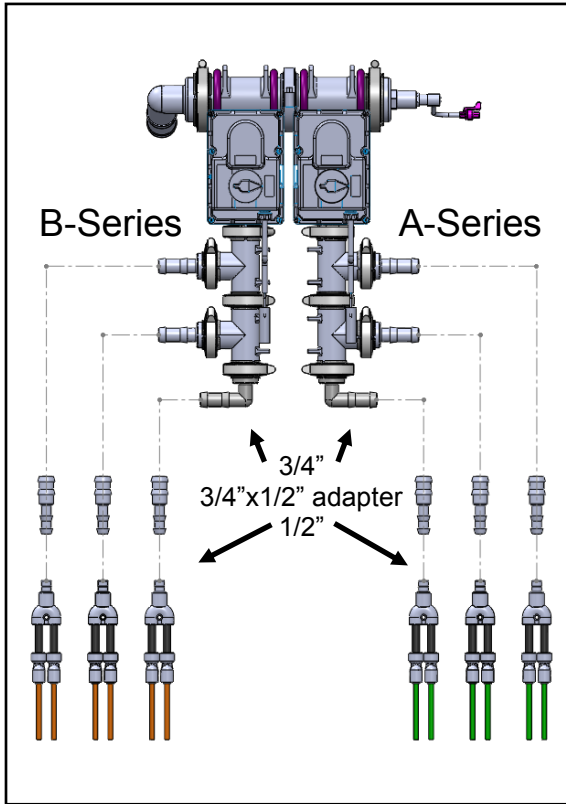




# 396-2578Y1

## LiquiShift Single Section Banjo Valves

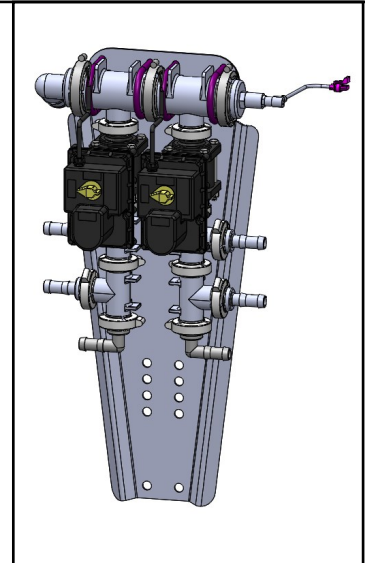
### Assembly and Mounting



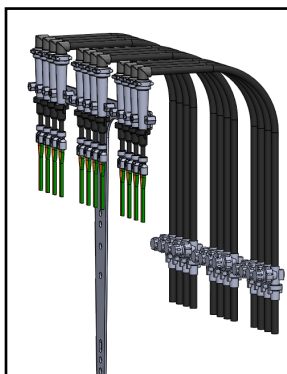
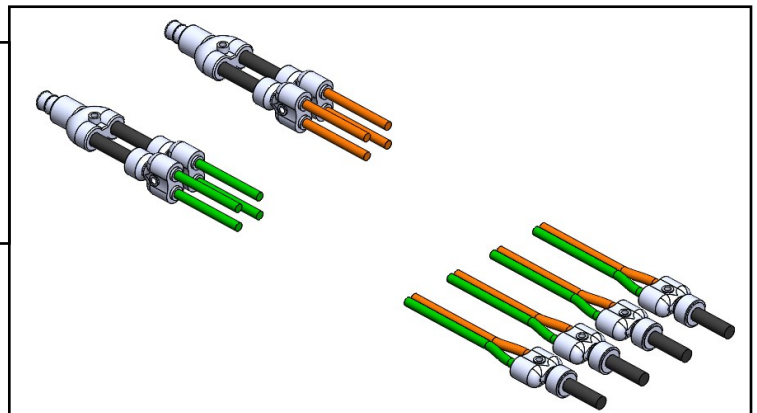
Feed section valves with 1-1/2" hose from pump. Each section valve may be split as necessary to feed the correct number of metering tube assemblies. (12 row example shown at left.)

**The smaller ID tubing must be connected to the "A" series valves.**

Color	I.D.
Black	0.187
Yellow	0.170
Orange	0.150
Tan	0.125
Green	0.110
Blue	0.096
Purple	0.080
Gray	0.060



Dual metering tube comes pre-assembled. Hose barb ends go to section valves, 3/8" tubing goes to flow indicators.

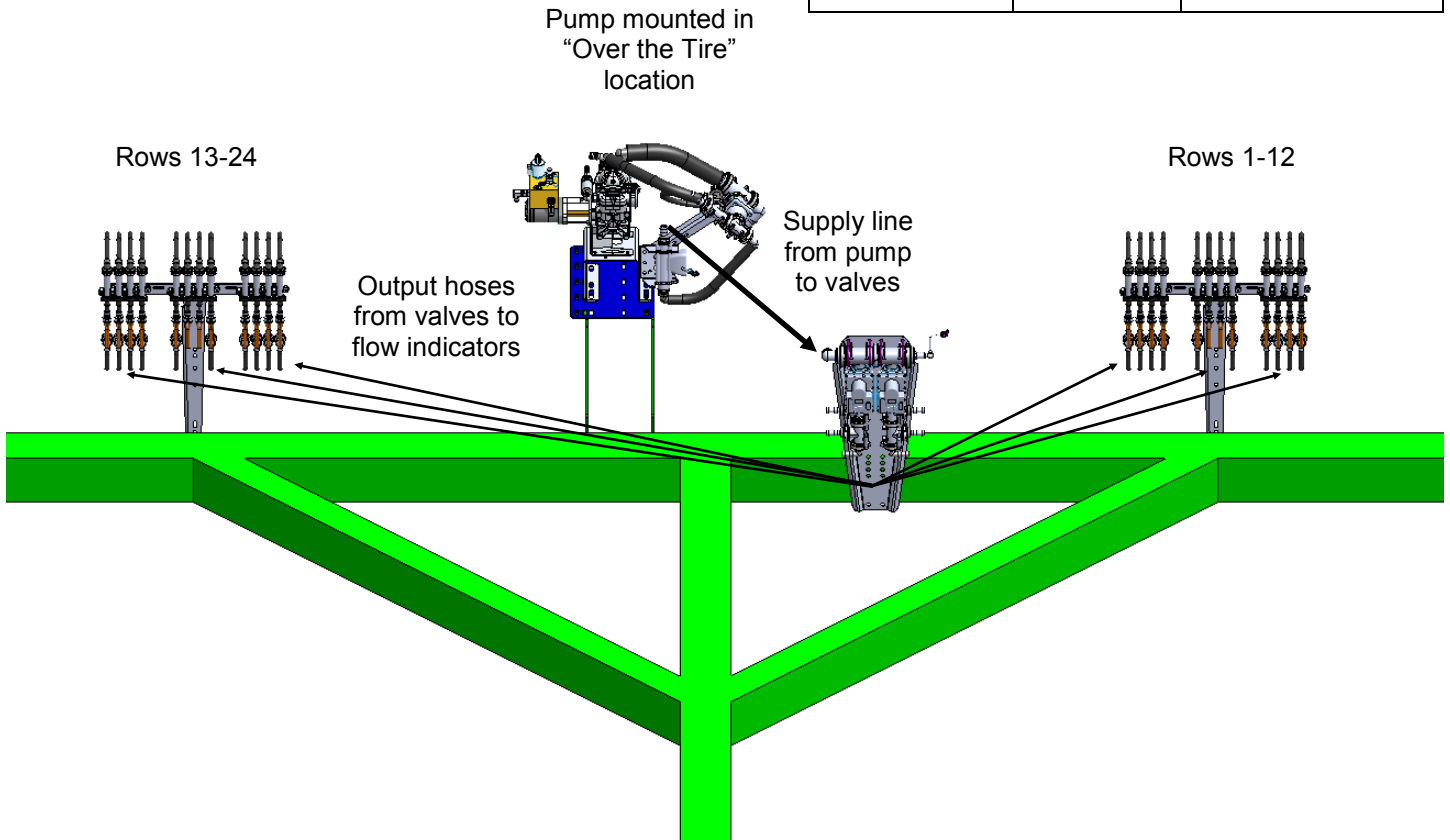


Mount flow indicators in banks (can be on one or multiple brackets). Dual metering tube Y's will attach to bottom of flow indicator. Top of flow indicator outputs through check valve to the row.

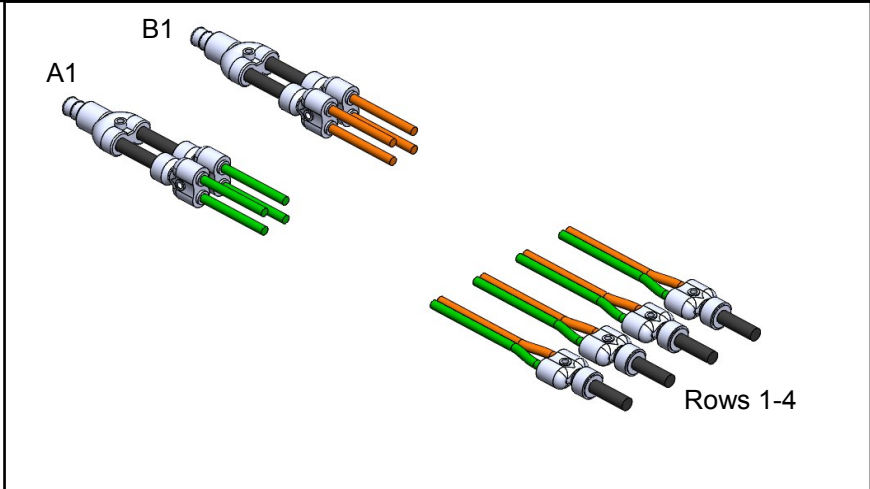


# LiquiShift Single Section Banjo Example Generic Planter Setup

Flowmeter Kit	Range	Hose Barb Size
500-02-2050	.3-5 GPM	3/4"
500-02-2060	.6-13 GPM	1"
500-02-2070	1.3-26 GPM	1"
500-02-1080	2.6-53 GPM	1-1/2"



Valves A1 and B1 both feed the pre-assembled metering tube set which goes to the same set of flow indicators.





# LiquiShift Single Section Banjo Harness Schematic

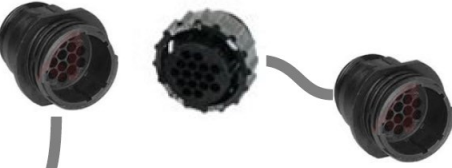
201-2558Y1  
16 Pin Single Section  
(A and B Valves only)



- 201-2542Y2  
GS2 Adapter Cable – 37 pin to twin 16 pins with LiquiShift Control Adapter  
OR  
201-2552Y2  
Trimble Adapter Cable – 37 pin to twin 16 pins with LiquiShift Control Adapter  
OR  
201-2598Y2  
Ag Leader Adapter Cable – 37 pin to twin 16 pins with LiquiShift Control Adapter

Sections

Optional 16 Pin extension  
216-16-215XXX



218-2565Y1  
LiquiShift Controller



Pump

207-215223Y2 PWM Pump Cable – Flowmeter, PWM, & Pressure



Flow



PWM

CONTROL PRESSURE



PRESSURE 2

### Pressure Range Selection Caps

<p>Hydraulic Press 20-70 PSI</p> <p>3 Pin MP Tower</p> <table border="1"> <tr><td>IN1</td><td>A</td></tr> <tr><td>IN2</td><td>B</td></tr> <tr><td>GND</td><td>C</td></tr> </table>	IN1	A	IN2	B	GND	C	<p>Hydraulic Press 20-80 PSI</p> <p>3 Pin MP Tower</p> <table border="1"> <tr><td>IN1</td><td>A</td></tr> <tr><td>IN2</td><td>B</td></tr> <tr><td>GND</td><td>C</td></tr> </table>	IN1	A	IN2	B	GND	C
IN1	A												
IN2	B												
GND	C												
IN1	A												
IN2	B												
GND	C												
<p>Hydraulic Press 20-60 PSI</p> <p>3 Pin MP Tower</p> <table border="1"> <tr><td>IN1</td><td>A</td></tr> <tr><td>IN2</td><td>B</td></tr> <tr><td>GND</td><td>C</td></tr> </table>	IN1	A	IN2	B	GND	C	<p>Tower Press 15-40 PSI</p> <p>3 Pin MP Tower</p> <table border="1"> <tr><td>IN1</td><td>A</td></tr> <tr><td>IN2</td><td>B</td></tr> <tr><td>GND</td><td>C</td></tr> </table>	IN1	A	IN2	B	GND	C
IN1	A												
IN2	B												
GND	C												
IN1	A												
IN2	B												
GND	C												