

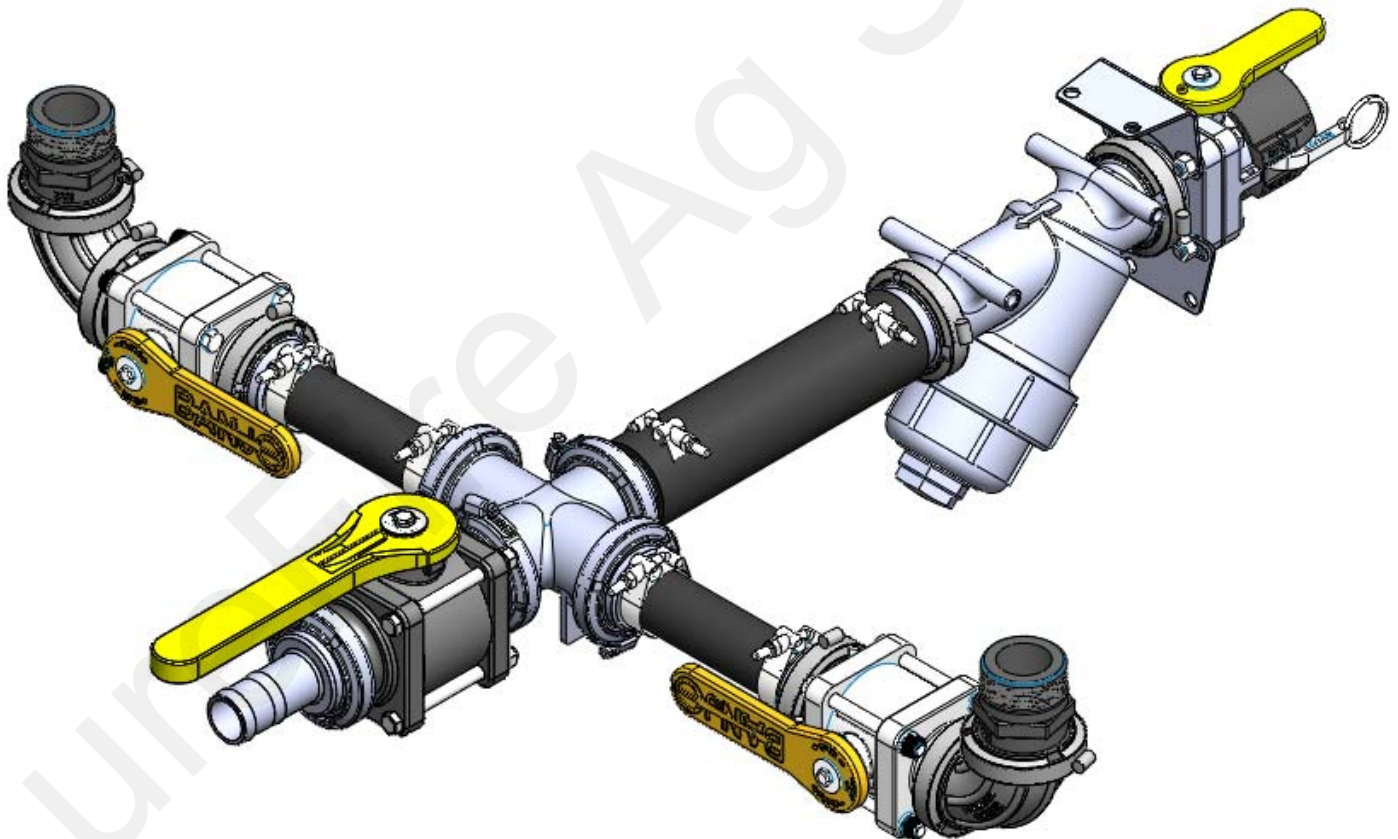


396-001660

Two Tank Fill Kit for Diaphragm Pump Installation Instructions

Kit Number: 520-00-2010

Kit Description: *Plumbing Kit - 2 Tank fill Kit for diaphragm pump*



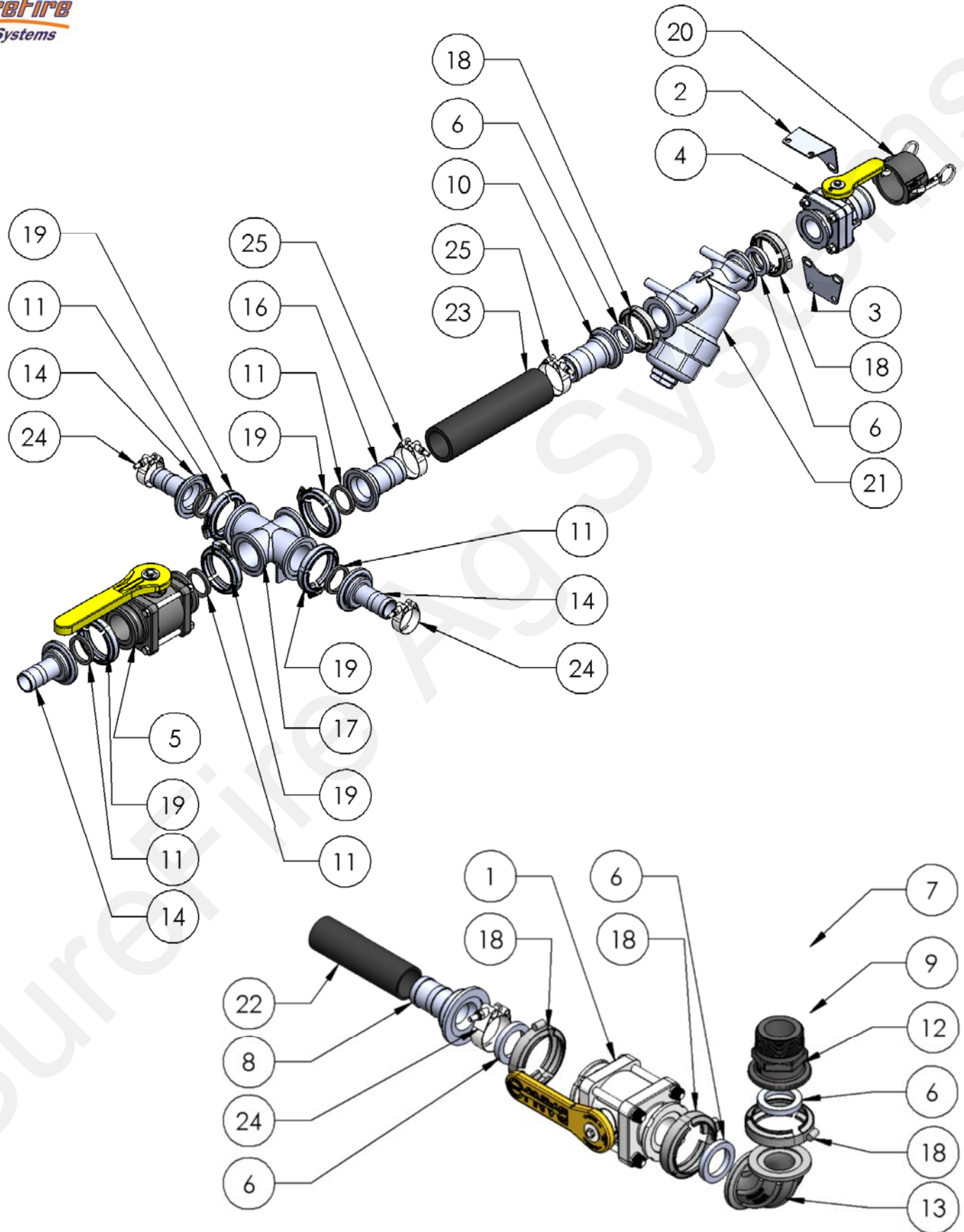


Parts List and Exploded View

ITEM NO.	PART NUMBER	DESCRIPTION	QTY
1	102-200MVCF	2" Manifold Standard Port Poly Valve	1
2	102-200VBR-90	2" Mounting Bracket - 90 Degree	2
3	102-200VBR	2" Mounting Bracket - Straight	1
4	102-200VSFCF	200 Series Manifold x 2" Male Quick	1
5	102-220MVCF	2" Full Port Flange Ball Valve	1
6	105-150G-H	1 1/2" EPDM Gasket	8
7	105-200125MPT	2" Manifold x 1-1/4" MPT	2
8	105-200150BRB	2" Manifold x 1 1/2" HB	3
9	105-200150MPT	2" Manifold x 1-1/2" Male	2
10	105-200BRB	2" Manifold x 2" HB	1
11	105-200G-H	2" EPDM Manifold Gasket for 220 Series Manifold	5
12	105-200MPT	2" Manifold x 2" MPT	2
13	105-200SWP90	2" Manifold Sweep - 90 Degree	2
14	105-220150BRB	2" Full Port Manifold x 1 1/2" HB	3
15	105-220150BRB90	2" Full Port Manifold x 1 1/2" HB - 90 Degree	2
16	105-220BRB	2" Full Port Manifold x 2" HB	1
17	105-220CR	2" Full Port Manifold Cross	1
18	105-FC200	2" Manifold Clamp	8
19	105-FC220	2" Full Port Manifold Clamp	5
20	106-200CAP	2" Cap	1
21	109-200MLS-20M	2" Manifold Y Strainer - 20 Mesh w/ 5/16" bolt holes	1
22	280-150-ENF	1-1/2" Enforcer Fertilizer Solution Hose	2
23	280-200-ENF	2" Enforcer Fertilizer Hose	1
24	350-TC181	Pressure Seal HD Clamp, Size 238 (fits 1 1/4" - 1	4
25	350-TC231	Pressure Seal HD Clamp, Size 288 (fits 2" Enforcer	2

*Fittings included for 1-1/4", 1-1/2" or 2" tank opening.

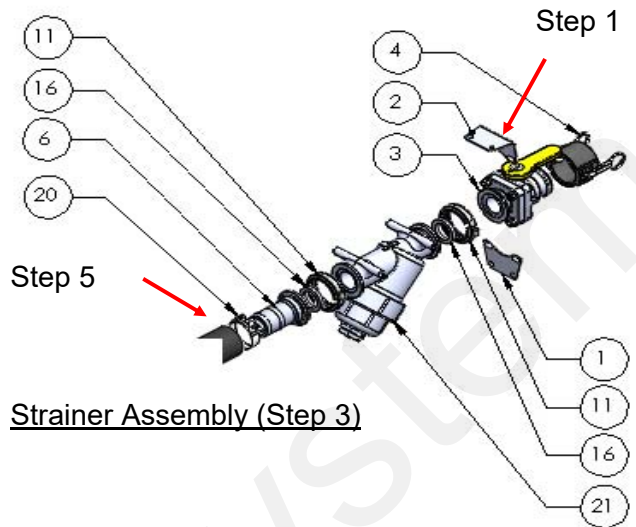
Parts List and Exploded View



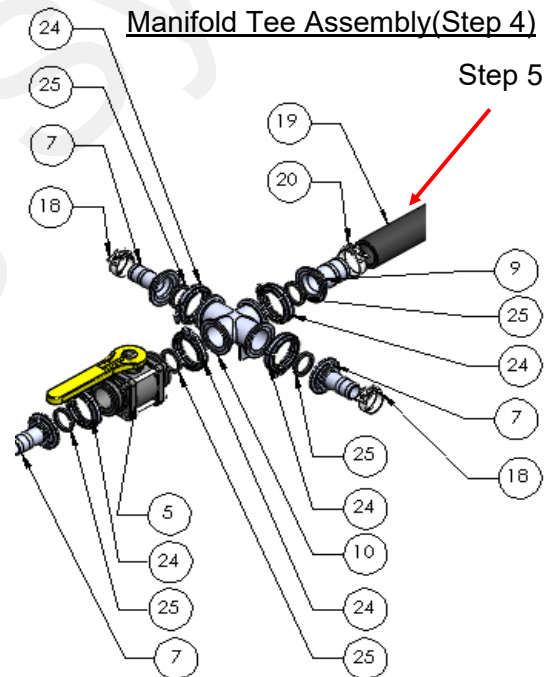


Step by Step Instructions

1. Remove nuts on Poly Valve as required to fasten mounting brackets to valve and replace nuts, tighten. *(Often, only one bracket is used to mount the fill valve. Straight and 90° bracket are shown to illustrate both options.)*
2. Using hardware kits fasten poly valve mounting brackets to implement.
3. Continue to assemble fill kit strainer assembly as shown.



4. Assemble 2" Manifold Tee assembly as shown.
5. Route 2" hose from strainer assembly hose barb to Manifold Tee hose barb and tighten with hose clamps



6. Thread 2", 1-1/2" or 1-1/4" Manifold x MPT fitting into tank opening.
7. Assemble tank valve manifold fittings as shown.
8. Route 1-1/2" hose from manifold tee assembly hose barb to tank opening hose barb and tighten using two hose clamps.

